



Operator's manual  
Bedienungsanweisung  
Manuel d'utilisation  
Manuale dell'operatore



**HUSQVARNA AUTOMOWER®**  
**105/305/310/315/315X/420/430X/  
440/450X**

**EN, English  
(2-36)**

**DE, Deutsch  
(37-75)**

**FR, Français  
(76-113)**

**IT, Italiano  
(114-150)**

**Read the operator's manual carefully and make sure that you understand the instructions before you use the product.**

**Lesen Sie die Bedienungsanweisung sorgfältig durch und machen Sie sich mit dem Inhalt vertraut, bevor Sie das Gerät benutzen**

**Lisez attentivement le manuel d'utilisation et assurez-vous que vous en comprenez le contenu avant d'utiliser la machine.**

**Prima di usare la macchina, leggere attentamente il manuale dell'operatore e accertarsi di averne compreso il contenuto.**

---

## Contents

---

1 Introduction.....	2	6 Troubleshooting.....	23
2 Safety.....	10	7 Transportation, storage and disposal.....	24
3 Installation.....	14	8 Technical data.....	26
4 Operation.....	18	9 Warranty.....	34
5 Maintenance.....	21	10 EC Declaration of Conformity.....	35

---

## 1 Introduction

---

### 1.1 Introduction

<b>Serial number:</b>
<b>PIN code:</b>

The serial number is on the product rating plate and on the product carton.

- Use the serial number to register your product on [www.husqvarna.com](http://www.husqvarna.com).

### 1.2 Support

For support about the product, speak to your Husqvarna servicing dealer.

#### 1.2.1 Complete Operator's Manual

A complete operator's manual is available on Husqvarna's website [www.husqvarna.com](http://www.husqvarna.com). It is more in detail about e.g. instructions about installation, maintenance, troubleshooting and menu structure.

#### 1.2.2 Product description

**Note:** Husqvarna regularly updates the appearance and function of the products. Refer to *Support on page 2*.

The product is a robotic lawn mower. The product has a battery power source and cuts the grass automatically. Collection of grass is not necessary.

The operator selects the operation settings with the buttons on the keypad. The display shows the selected and possible operation settings, and the operating mode of the product.

The boundary wire and the guide wire control the movement of the product within the work area.

#### 1.2.2.1 Automower® Connect

Automower® Connect is a mobile application that makes it possible to select the operation settings remotely. Refer to *Connectivity on page 20*.

### 1.3 Capacity

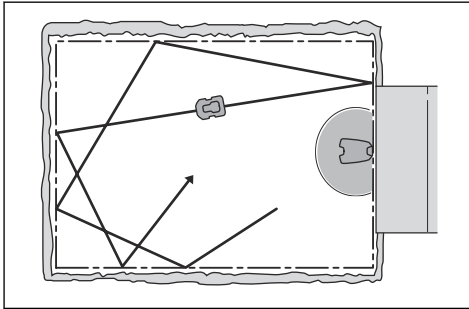
How big an area the product can keep cut depends primarily on the condition of the blades and the type, growth and moisture of the grass. The shape of the yard is also significant. If the yard mainly consists of open lawn areas, the product can mow more per hour than if the yard consists of several small lawns separated by trees, flower beds and passages. For working capacity, refer to *Technical data on page 26*.

It is recommended to allow the product to mainly mow in dry weather to obtain the best possible result. The product can also mow in rain, however wet grass easily sticks on the product and there is a greater risk of slipping in steep slopes. The blades must be in good condition to obtain the best mowing result. In order to keep the blades sharp for as long as

possible it is important to keep the lawn free from branches, small stones and other objects. Replace the blades regularly. Refer to *Replace the blades on page 23*.

### 1.4 Movement pattern

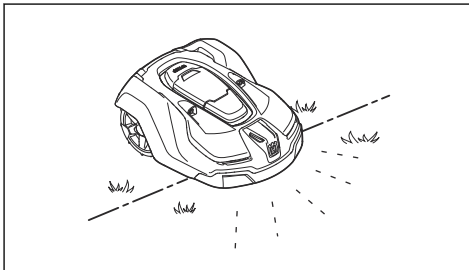
The movement pattern of the product is random. This means that the lawn is mown evenly without any mowing lines.



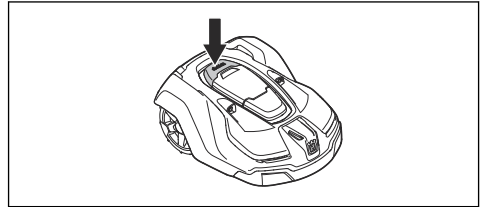
### 1.5 Working method

Automower® 315X/430X/450X use GPS-assisted navigation to start mowing in a place in the yard where it has not been lately. For the other models you might have to set remote start settings to make sure that the lawn is cut evenly, refer to the complete Operator's Manual on Husqvarna's website.

When the product hits an obstacle or approaches the boundary wire the product reverses and selects a new direction. Sensors at the front and back will sense when the product is approaching the boundary wire. The front always passes the boundary wire by a specific distance before the product turns around. The distance can be changed to adapt to the installation if required.



The **STOP** button on the top of the product is mainly used to stop the product when it's running. When the **STOP** button is pushed a hatch opens, behind which there is a control panel. The **STOP** button remains pushed in until the hatch is closed again. This together with the **START** button acts as a start inhibitor.



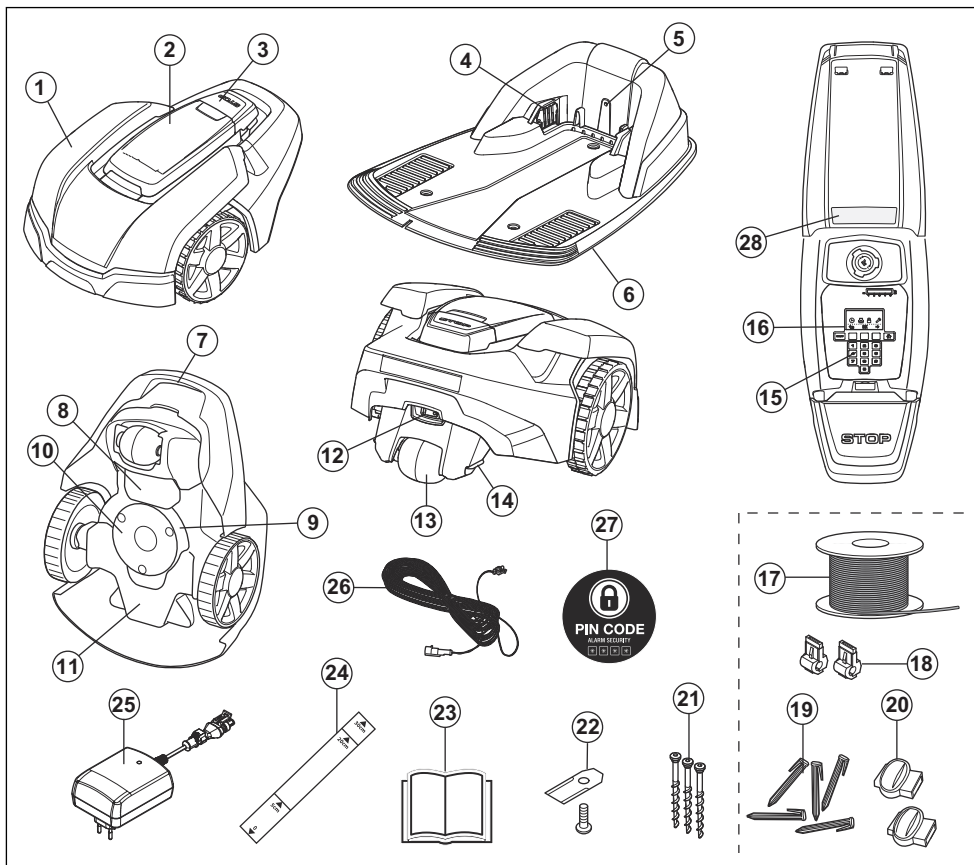
**Note:** Always push the **START** button before closing the hatch to start the product. If the **START** button is not pushed, a message beep is heard and the product will not start.

**Note:** When the product is started for the first time, a start-up sequence begins which includes a number of important basic settings, refer to *To do the basic settings* in the complete Operator's Manual on Husqvarna's website.

### 1.6 Finding the charging station

The Automower® 305/310/315/315X/420/430X/440/450X can be set to search for the charging station in up to 3 different ways. The product automatically combines these 3 search methods to locate the charging station as fast as possible, but also to avoid as much tracks forming as possible. Automower® 105 always follows the guide wire to the charging station.

## 1.7 Product overview Automower® 105

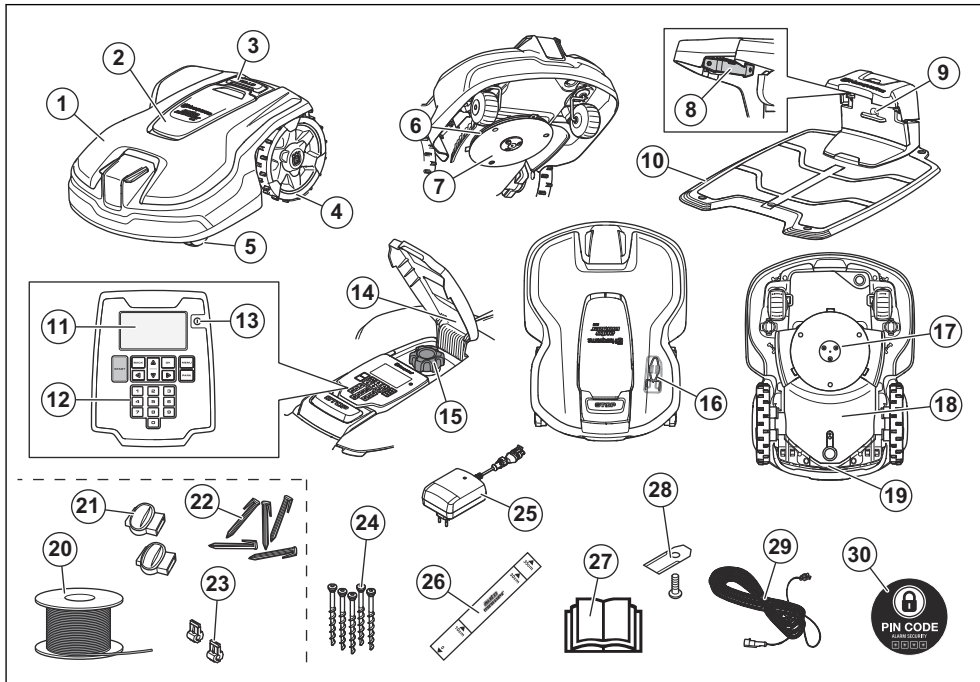


The numbers in the figure represent:

- |  |   |
|--|---|
| <ol style="list-style-type: none"> <li>1. Body</li> <li>2. Hatch to display, keypad and cutting height adjustment</li> <li>3. Stop button</li> <li>4. Contact plates</li> <li>5. LED for operation check of the charging station, boundary wire and guide wire</li> <li>6. Charging station</li> <li>7. Handle</li> <li>8. Battery cover</li> <li>9. Blade disc</li> <li>10. Skid plate</li> </ol> | <ol style="list-style-type: none"> <li>11. Chassis box with electronics, battery and motors</li> <li>12. Main switch</li> <li>13. Rear wheel</li> <li>14. Charging plates</li> <li>15. Keypad</li> <li>16. Display</li> <li>17. Loop wire for boundary loop and guide wire</li> <li>18. Connectors for the loop wire</li> <li>19. Stakes</li> <li>20. Couplers for the loop wire</li> <li>21. Screws for securing the charging station</li> </ol> |
|--|---|

- 22. Blades
- 23. Operator's Manual and Quick Guide
- 24. Measurement gauge when installing the boundary wire (the measurement gauge is broken loose from the box)
- 25. Power supply (the appearance may differ depending on market)
- 26. Low voltage cable
- 27. Alarm decal
- 28. Rating plate (incl. product identification code)

## 1.8 Product overview Automower® 305

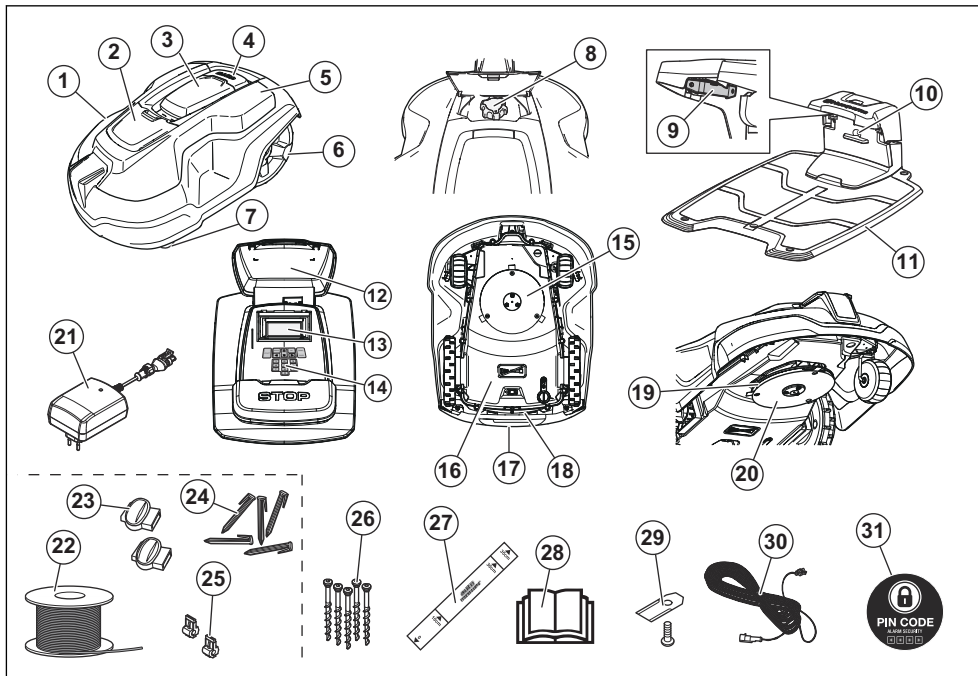


The numbers in the figure represent:

- 1. Body
- 2. Hatch to keypad, display and cutting height adjustment
- 3. Stop button
- 4. Rear wheels
- 5. Front wheels
- 6. Blade disc
- 7. Skid plate
- 8. Contact plates
- 9. LED for operation check of the charging station and boundary wire
- 10. Charging station
- 11. Display
- 12. Keypad
- 13. ON/OFF button
- 14. Rating plate (incl. product identification code)
- 15. Cutting height adjustment
- 16. Maintenance tool
- 17. Cutting system
- 18. Chassis box with electronics, battery and motors
- 19. Handle
- 20. Spool of boundary wire
- 21. Boundary wire clips
- 22. Blades
- 23. Blade screws
- 24. Measurement gauge
- 25. Power supply
- 26. Low voltage cable
- 27. Alarm decal
- 28. Rating plate
- 29. Power supply cable
- 30. PIN CODE lock

- 20. Loop wire for boundary loop and guide wire <sup>1</sup>
- 21. Couplers for the loop wire <sup>2</sup>
- 22. Stakes <sup>3</sup>
- 23. Connectors for the loop wire <sup>4</sup>
- 24. Screws for securing the charging station
- 25. Power supply (the appearance may differ depending on market)
- 26. Measurement gauge when installing the boundary wire (the measurement gauge is broken loose from the box)
- 27. Operator's Manual and Quick Guide
- 28. Extra blades
- 29. Low voltage cable
- 30. Alarm decal

### 1.9 Product overview Automower® 310/315/315X



The numbers in the figure represent:

- 1. Body
- 2. Hatch to cutting height adjustment
- 3. Hatch to display and keypad
- 4. Stop button
- 5. Replaceable cover
- 6. Rear wheels
- 7. Front wheels
- 8. Cutting height adjustment
- 9. Contact plates
- 10. LED for operation check of the charging station and boundary wire
- 11. Charging station

<sup>1</sup> Is a part of the Installation kit which is purchased separately.

<sup>2</sup> Is a part of the Installation kit which is purchased separately.

<sup>3</sup> Is a part of the Installation kit which is purchased separately.

<sup>4</sup> Is a part of the Installation kit which is purchased separately.

12. Rating plate (incl. product identification code)
13. Display
14. Keypad
15. Cutting system
16. Chassis box with electronics, battery and motors
17. Handle
18. Main switch
19. Blade disc
20. Skid plate
21. Power supply (the appearance may differ depending on market)
22. Loop wire for boundary loop and guide wire<sup>5</sup>
23. Couplers for the loop wire<sup>6</sup>
24. Stakes<sup>7</sup>
25. Connectors for the loop wire<sup>8</sup>
26. Screws for securing the charging station
27. Measurement gauge when installing the boundary wire (the measurement gauge is broken loose from the box)
28. Operator's Manual and Quick Guide
29. Extra blades
30. Low voltage cable
31. Alarm decal

---

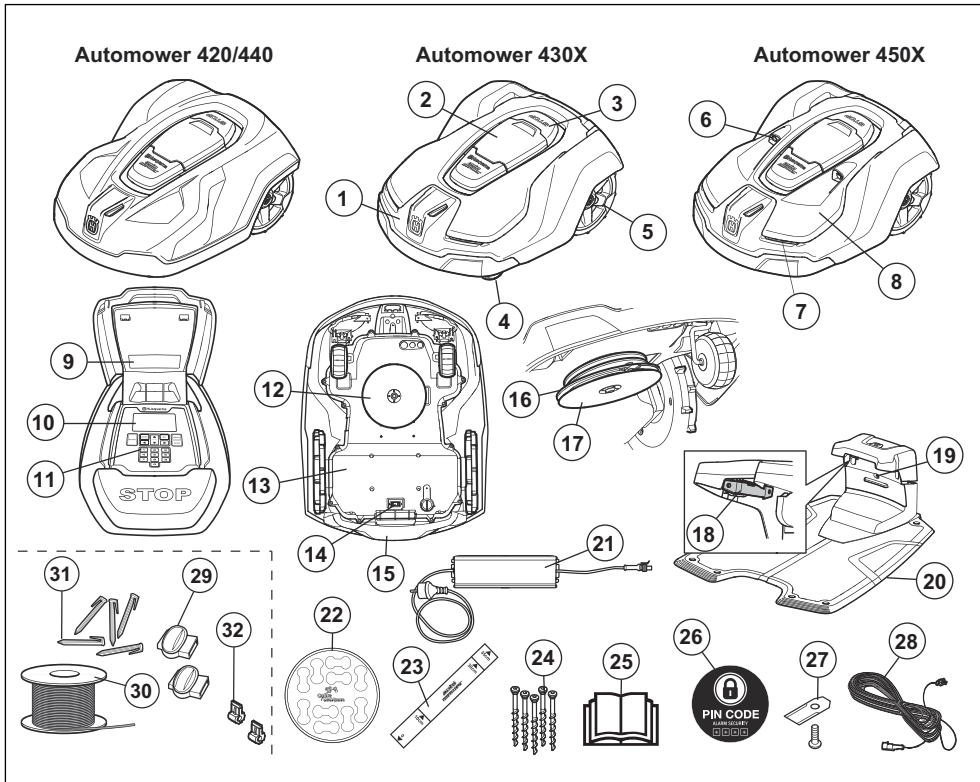
<sup>5</sup> Is a part of the Installation kit which is purchased separately.

<sup>6</sup> Is a part of the Installation kit which is purchased separately.

<sup>7</sup> Is a part of the Installation kit which is purchased separately.

<sup>8</sup> Is a part of the Installation kit which is purchased separately.

## 1.10 Product overview Automower® 420/430X/440/450X



The numbers in the figure represent:

- |  |  |
|--|--|
| 1. Body  | 14. Main switch  |
| 2. Hatch to display and keypad                       | 15. Handle   |
| 3. Stop button                                       | 16. Blade disc   |
| 4. Front wheels                                      | 17. Skid plate   |
| 5. Rear wheels                                       | 18. Contact plates   |
| 6. Ultrasonic sensors                                | 19. LED for operation check of the charging station and boundary wire  |
| 7. Headlights  | 20. Charging station   |
| 8. Replaceable cover                                 | 21. Power supply (the appearance may differ depending on market)   |
| 9. Rating plate (incl. product identification code)  | 22. Cable markers  |
| 10. Display  | 23. Measurement gauge when installing the boundary wire (the measurement gauge is broken loose from the box) |
| 11. Keypad   | 24. Screws for securing the charging station   |
| 12. Cutting system                                   | 25. Operator's Manual and Quick Guide  |
| 13. Chassis box with electronics, battery and motors |  |
|  | 26. PIN CODE   |
|  | 27. Key  |
|  | 28. Charging cable   |



- 26. Alarm decal
- 27. Extra blades
- 28. Low voltage cable
- 29. Couplers for the loop wire <sup>9</sup>
- 30. Loop wire for boundary loop and guide wire <sup>10</sup>
- 31. Stakes <sup>11</sup>
- 32. Connectors for the loop wire <sup>12</sup>



This product conforms to the applicable EC Directives.



Noise emission to surroundings. The product's emissions are set out in *Technical data on page 26* and on the rating plate.

### 1.11 Symbols on the product

These symbols can be found on the product. Study them carefully.



**WARNING:** Read the user instructions before operating the product.



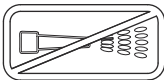
**WARNING:** Disable the product before working on or lifting the machine.



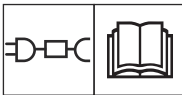
**WARNING:** Keep a safe distance from the machine when operating. Keep your hands and feet away from the rotating blades.



**WARNING:** Do not ride on the machine. Never put your hands or feet close to or under the machine.



Never use a high-pressure washer or even running water to clean the product.



Use a detachable power supply as defined on the rating label next to the symbol.



It is not permitted to dispose this product as normal household waste. Ensure that the product is recycled in accordance with local legal requirements.



The chassis contains components which are sensitive to electrostatic discharge (ESD). The chassis must also be resealed in a professional manner. For these reasons the chassis shall only be opened by authorized service technicians. A broken seal can result in the entire or parts of the guarantee no longer being valid.



The low voltage cable must not be shortened, extended or spliced. Do not use a trimmer nearby the low voltage cable. Be careful when trimming edges where the cables are placed.

### 1.12 Symbols on the battery



Read the user instructions.



Do not discard the battery into fire and do not expose the battery to a heat source.

<sup>9</sup> Is a part of the Installation kit which is purchased separately.

<sup>10</sup> Is a part of the Installation kit which is purchased separately.

<sup>11</sup> Is a part of the Installation kit which is purchased separately.

<sup>12</sup> Is a part of the Installation kit which is purchased separately.



Do not immerse the battery into water.

### 1.13 General manual instructions

The following system is used in the Operator's Manual to make it easier to use:

- Text written in *italics* is a text that is shown on the display of the product or is

a reference to another section in the Operator's Manual.

- Text written in **bold** is one of the buttons on the keypad of the product.
- Text written in *UPPERCASE* and *italics* refer to the different operating modes available in the product.

---

## 2 Safety

---

### 2.1 Safety definitions

Warnings, cautions and notes are used to point out specially important parts of the manual.



**WARNING:** Used if there is a risk of injury or death for the operator or bystanders if the instructions in the manual are not obeyed.



**CAUTION:** Used if there is a risk of damage to the product, other materials or the adjacent area if the instructions in the manual are not obeyed.

**Note:** Used to give more information that is necessary in a given situation.

## **2.1.1 IMPORTANT. READ CAREFULLY BEFORE USE. KEEP FOR FUTURE REFERENCE**

The operator is responsible for accidents or hazards occurring to other people or property.

This appliance is not intended for use by persons (including children) with reduced physical, sensory or mental capabilities (that could affect a safe handling of the product), or lack of experience and knowledge, unless they have been given supervision or instruction concerning use of the appliance by a person responsible for their safety.

This appliance can be used by children aged from 8 years and above and persons with reduced physical, sensory or mental capabilities or lack of experience and knowledge if they have been given supervision or instruction concerning use of the appliance in a safe way and understand the hazards involved. Local regulations may restrict the age of the operator. Cleaning and maintenance shall not be made by children without supervision.

Never connect the power supply to an outlet if the plug or cord is damaged. Worn or damaged cord increase the risk of electric shock.

Only charge the battery in the included charging station. Incorrect use may result in electric shock, overheating or leaking of corrosive liquid from the battery. In the event of leakage of electrolyte, flush with water/neutralizing agent. Seek medical help if it comes in contact with the eyes.

Use only original batteries recommended by the manufacturer. Product safety cannot be guaranteed with other than original batteries. Do not use non-rechargeable batteries.

The appliance must be disconnected from the supply mains when removing the battery.



**WARNING:** The product can be dangerous if used incorrectly.



**WARNING:** Do not use the product when persons, especially children, or animals, are in the work area.



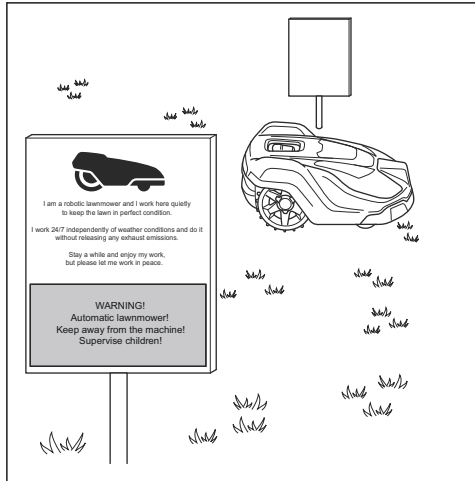
**WARNING:** Keep your hands and feet away from the rotating blades. Never put your hands or feet close to or under the product when the motor is running.



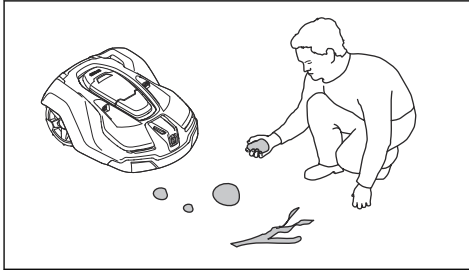
**WARNING:** In the event of an injury or accident seek medical help.

## 2.2 Use

- The product may only be used with the equipment recommended by the manufacturer. All other types of use are incorrect. The manufacturer's instructions with regard to operation/maintenance and repair must be followed precisely.
- Warning signs shall be placed around the work area if the product is used in public areas. The signs shall have the following text: **Warning! Automatic lawn mower! Keep away from the machine! Supervise children!**



- Use the **PARK** function or switch off the product when persons, especially children, or animals are in the work area. It is recommended to program the product for use during hours when the area is free from activity, e.g. at night. Consider that certain species, e.g. hedgehogs, are active at night. They can potentially be harmed by the product.
- The product may only be operated, maintained and repaired by persons that are fully conversant with its special characteristics and safety regulations. Please read the Operator's Manual carefully and make sure you understand the instructions before using the product.
- It is not permitted to modify the original design of the product. All modifications are made at your own risk.
- Check that there are no foreign objects such as stones, branches, tools or toys on the lawn. If the blades hit foreign objects the blades can be damaged. Always switch off the product with the **main switch** or **ON/OFF** button before clearing a blockage. Inspect the product for damage before starting the product again.



- If the product starts to vibrate abnormally. Always switch off the product with the **main switch** or **ON/OFF** button and inspect for damage before starting the product again.
- Start the product according to the instructions. When the product is enabled with the **ON/OFF** button or when the **main switch** is set to *1* make sure to keep your hands and feet away from the rotating blades. Never put your hands and feet under the product.
- Never touch moving hazardous parts, such as the blade disc, before it has come to a complete stop.
- Never lift up the product or carry it around when it is switched on.
- The product must never be allowed to collide with persons or other living creatures. If a person or other living creature comes in the product's way it shall be stopped immediately.
- Do not put anything on top of the product or its charging station.
- Do not allow the product to be used with a defective guard, blade disc or body. Neither should it be used with defective blades, screws, nuts or cables. Never connect a damaged cable, or touch a damaged cable before it is disconnected from the supply.
- Do not use the product if the **main switch** or the **ON/OFF** button do not work.
- Always switch off the product using the **main switch** or the **ON/OFF** button when

the product is not in use. The product can only start when the **main switch** is set to *1*, or the **ON/OFF** button is switched on and the indicator lamp is lit. The correct PIN code must also be entered for the product to start.

- The product must never be used at the same time as a sprinkler. Use the *Schedule* function so the product and sprinkler never run simultaneously.
- Husqvarna does not guarantee full compatibility between the product and other types of wireless systems such as remote controls, radio transmitters, hearing loops, underground electric animal fencing or similar.
- The built-in alarm is very loud. Be careful, especially if the product is handled indoors.
- Metal objects in the ground (for example reinforced concrete or anti-mole nets) can result in a stoppage. The metal objects can cause interference with the loop signal which then can lead to a stoppage.
- Operation and storage temperature is 0-50 °C / 32-122 °F. Temperature range for charging is 0-45 °C / 32-113 °F. Too high temperatures might cause damage to the product.

## 2.3 Battery safety



**WARNING:** Lithium-ion batteries can explode or cause fire if disassembled, short-circuited, exposed to water, fire, or high temperatures. Handle carefully, do not dismantle, open the battery or use any type of electrical/mechanical abuse. Avoid storage in direct sunlight.

For more information about the battery, refer to *Battery on page 22*

---

## 3 Installation

---

### 3.1 Connecting the power supply

Take the following into consideration when planning where to place the power supply:

- Close to the charging station
- Protection from rain
- Protection from direct sunlight



**WARNING:** The product is only to be used with a power supply unit supplied by Husqvarna.

When connecting the power supply, only use a wall socket that is connected to an earth fault-breaker (RCD).



**WARNING:** Risk of Electric Shock. Install only to an earth-fault breaker (RCD) when connecting the power supply to the wall socket. For USA/CANADA: Use a covered Class A GFCI receptacle (RCD) that has an enclosure that is weatherproof with the attachment plug cap inserted or removed.



**WARNING:** No parts of the power supply must be changed or tampered with. The low voltage cable must not be shortened or extended.

Low-voltage cables of different lengths are available as accessories.

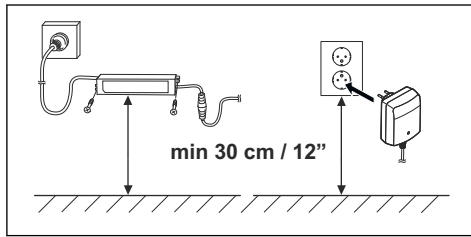


**WARNING:** The power supply cable and extension cable must be outside the work area to avoid damage to the cables.



**WARNING:** Do not under any circumstances mount the power supply at a height where there is a

risk it can be submerged in water (at minimum 30 cm / 12" from the ground). It is not permitted to place the power supply on the ground.



**WARNING:** Use the plug to disconnect the charging station, for instance before cleaning the charging station or repairing the loop wire.



**WARNING:** Place the low voltage cable and adjust the cutting height so that the blades on the blade disc can never come in contact with the cable.



**WARNING:** To reduce the risk of damage to electrical components, disconnect all connections to the charging station (power supply, boundary wire and guide wires) if there is a risk of a thunderstorm.



**WARNING:** Do not encapsulate the power supply. Condensed water can harm the power supply and increase the risk of electrical shock.

For more instructions on how to do a proper installation, refer to chapter *Installation* in the complete Operator's manual on Husqvarna's website [www.husqvarna.com](http://www.husqvarna.com).

### 3.2 Control panel

All commands and settings for the product are made via the control panel. All functions are accessed via a number of menus.

The control panel consists of a display and a keypad. All information is shown on the display and all input is done using the buttons.

**Note:** The display texts are shown in English in the manual, but you will see the texts on the product display in the chosen language.

### 3.3 Display Automower® 105

When the **STOP** button has been pushed and the hatch is opened, the operation window appears showing the time, selected operating mode, number of mowing hours, battery status and timer setting.

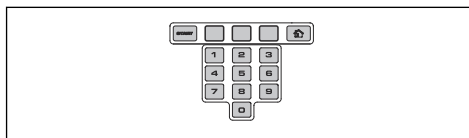


- The clock shows the current time.
- Date shows the current day.
- The number of operating hours indicates the number of hours since the day of manufacture that the product has been in operation. The time that the product has spent mowing or searching for the charging station is counted as operating time.
- *AUTO*, *MAN* or *HOME* show which mode of operation is selected.
- The battery status shows the remaining battery charge.
- The ECO symbol is displayed if the product is set in *ECO mode*.
- The clock symbol indicates when the timer settings are set. The clock symbol is black when the product is not allowed to mow due to a timer setting.
- The *MENU* text illustrates that the main menu can be reached by pushing the

**multi-choice** button that is located under the text.

### 3.4 Keypad Automower® 105

The keypad consists of 4 groups of buttons:



- The **START** button is used to activate the product. This is normally the last button to be pushed before closing the hatch.
- The 3 **multi-choice** buttons offer various functions, depending on where in the menu structure you are.
- The **number** buttons are used for instance to enter the PIN code or time settings.
- The **operation selection** button is symbolized by a house. When the button has been pushed, the selected operation mode is shown in the display.

### 3.5 Display Automower® 305/310/315X/420/430X/440/450X

When the **STOP** button has been pushed and the hatch is opened, the following information is displayed:

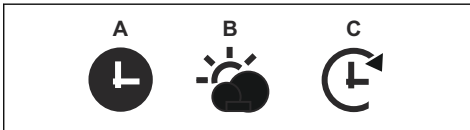


- Operating information, e.g. *READY*, *MOWING*, *PARKED* or *SCHEDULE*. *READY* is displayed if the product is not in any specific operating mode, e.g. if the product has just been switched on. If the **STOP** button is pushed the product displays what it did prior to the stop, e.g. *MOWING* or *SEARCHING*.
- Date and clock show the current time.

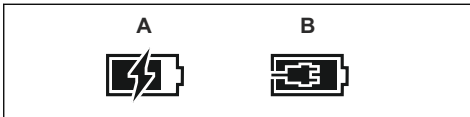
- For Automower® 315X/430X/450X: The satellite symbol is shown when the GPS-supported navigation is activated. Symbol (A) is shown when the symbol has made contact with a sufficient number of GPS satellites. Symbol (B) shows when the product has not made contact with a sufficient number of GPS satellites. Symbol (A) blinks during the first days the product is working, as it is collecting GPS information about the installation.



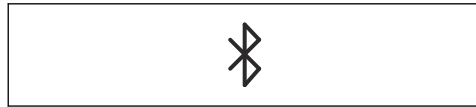
- The ECO symbol is displayed if the product is set in *ECO mode*.
- The black clock symbol (A) is shown when the product is not allowed to mow due to a *Schedule* setting. If the product is not allowed to mow due to *Weather timer*, symbol (B) is shown. If the operation mode *Override schedule* is chosen, symbol (C) is shown.



- The battery status shows the remaining battery charge. If the product is loading, a flash is also shown over the battery symbol (A). If the product is placed in the charging station without charging, (B) is shown.

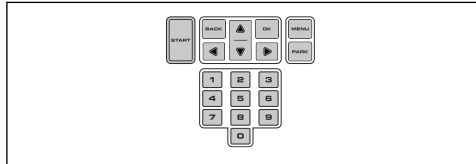


- The height adjustment setting is displayed as a scale/numerical value.
- For Automower® Connect@Home (refer to *Automower® Connect@Home on page 20*): An icon for Bluetooth® wireless communication will appear in the product display when connection with your mobile device has been established.



### 3.6 Keypad Automower® 305/310/315/315X/420/430X/440/450X

The keypad consists of 6 groups of buttons:



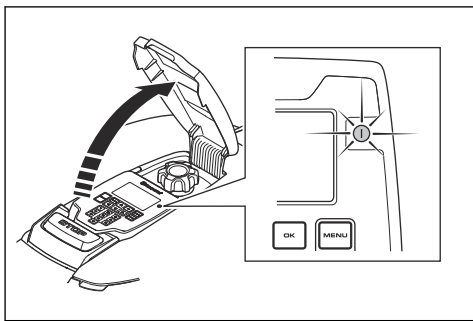
- The **START** button is used to activate the product. This is normally the last button to be pushed before closing the hatch.
- The **BACK** and **OK** buttons are used to navigate in the menu. The **OK** button is also used to confirm settings.
- The **arrow** buttons are used to navigate in the menu but also to make selections in certain setting options.
- The **MENU** button is used to go to the main menu.
- The **PARK** button is used to send the product to the charging station.
- The **number** buttons are used to enter settings, for example PIN code, time or exit direction.

### 3.7 The indicator lamp Automower® 305

The indicator lamp on the **ON/OFF** button is an important status indicator:

- The product is active if the indicator lamp lights continuously.
- The product is in standby if the indicator lamp flashes. This means that the operator must push the **ON/OFF** button to make the product active again.
- The product is disabled when the indicator lamp is not lit.





**WARNING:** It is only safe to carry out inspection or maintenance on the product when the product is disabled. The product is disabled when the lamp on the **ON/OFF** button is not lit.

### 3.8 Menu structure

The main menu for Automower® 105 offers 4 options. Automower® 310 has 6 options and Automower® 305/315/315X has 7 options. The main menu for Automower® 420/430X/440/450X offers 8 options.

### 3.9 Submenus

There are a number of submenus under each option. You can access all the functions to set the product settings via the submenus.

Certain submenus contain options that are ticked off to the left. This means that these options are selected. Check or uncheck the box by pushing the **OK** button.

### 3.10 Browse between menus

Browse through the main menu and submenus with the help of the **multi-choice** buttons (Automower® 105) or the **arrow** buttons (Automower® 305/310/315/315X/420/430X/440/450X). Enter values and times using the **number** buttons and confirm each selection with the **multi-choice** button marked **OK**. Push **BACK** to go up a step in the menu or keep the **HOME** (Automower® 105) alternatively **MENU** (Automower® 305/310/315/315X/420/430X/440/450X)

button pushed in for 2 seconds to go directly to the main menu.

### 3.11 Main menu



#### *Schedule*

The lawn should not be cut too often to obtain the best mowing result. Consequently, it is important to limit the operating time using the *Schedule* function if the work area is less than the product's work capacity. The *Schedule* function is also an ideal tool to control which periods the product should not mow, for example when children are playing on the lawn.



#### *Cutting height*

Applicable for Automower® 420/430X/440/450X

The cutting height can be varied from MIN (1) to MAX (9). During the first week after a new installation, the cutting height must be set to MAX to avoid damaging the loop wire. After this, the cutting height can be lowered one step every week until the desired cutting height has been reached.



#### *Security*

In this menu, settings relating to security and the connection between the product and the charging station can be made. There are 3 security levels to choose from: *Low, Medium, High*.



#### *Messages*

Applicable for Automower® 305/310/315/315X/420/430X/440/450X

Historical fault and information messages can be read in this menu. For some of the most common fault messages, there are tips and advice to help you rectify the fault.



#### *Weather timer*

Applicable for Automower® 305/315/315X/420/430X/440/450X

This function allows the product to automatically adjust its mowing times based on how much the lawn grows. When the weather is good for grass growth, the product mows more often and when grass growth is low the product automatically spends less time on the lawn.



#### *Installation*

This menu function is used to customize the installation. For many work areas there is no need to alter the factory settings, but depending on the lawn complexity the mowing result can be

improved by making manual settings.



#### *Settings*

This selection allows you to make changes to the general product settings such as date and time. You can also switch on/off *ECO mode* and *Spiral cutting*, or save your settings in different *Profiles* (Automower® 305/315/315X/420/430X/440/450X only). Husqvarna recommends to let *ECO mode* be switched on to save energy and avoid interference with other equipment.



#### *Accessories*

Applicable for Automower® 305/310/315/315X/420/430X/440/450X

This menu handles the settings for the product accessories, for examples Automower® Connect or Automower® Connect@Home. Contact your local Husqvarna representative for information on what accessories are available for your product.

---

## 4 Operation

---

### 4.1 To switch on, stop and switch off the product

- The product can only start if it is switched on and the correct PIN code has been entered. To switch on the Automower® 305, push the **ON/OFF** button for 3 seconds and check that the indicator lamp is lit. To switch on all other models, set the **main switch** to 1.
- To stop to product, push the **STOP** button on top of the product. The product stops and the blade motor stops.
- To switch off Automower® 305, push the **ON/OFF** button for 3 seconds and check

that the indicator lamp is not lit. To switch off all other models, the **main switch** is set to 0.

### 4.2 Operating mode Automower® 105

Push the **Operation selection** button 1-3 times to select an operating mode. You can select between 3 different operating modes.

- *HOME*. Sends the product to the charging station. It remains here until another operation mode is selected. When the battery is fully charged, the product will not leave the charging station and begin

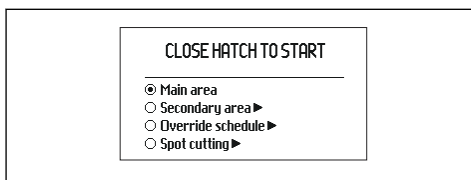
mowing until the operation selection is altered to *AUTO*.

- *AUTO*. The standard, automatic operation mode where the product mows and charges automatically.
- *MAN*. When mowing secondary areas the *MAN* setting must be used. If *MAN* is selected and the product is started when it is out on the lawn, it mows until the battery runs out. It then stops and the 'Needs manual charging' message appears. The product must then be moved manually to the charging station and then started manually after charging. If the product charges in the *MAN* mode, it will fully charge, move about 20 cm / 8 in. out of the charging station and then stop. This indicates that it is charged and ready to start mowing.

### 4.3 Operating mode, **START** Automower® 305/310/315/315X/ 420/430X/440/450X

Push the **START** button to select one of the following operating modes:

- *Main area*: The standard operating mode where the product mows and charges automatically.



- *Secondary area*: When mowing secondary areas this setting must be chosen.

In the *Secondary area* mode, the operator must move the product manually between the main area and the secondary area. The product mows until the battery is empty. When the battery is charged, the product moves out of the charging station and stops. The product is now prepared to start operation, but needs confirmation from the operator first.

---

**Note:** If you want to cut the main area after the battery is charged, set the product to *Main area* mode before placing it in the charging station.

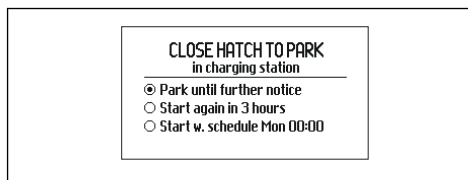
---

- *Override Schedule*: Any *Schedule* settings made can be temporarily overridden by selecting *Override schedule*. It is possible to override the *Schedule* for 24 h or 3 days.
- *Spot Cutting*: (Not available for Automower® 310). The product works in a spiral pattern to cut the grass where it has been mown less than in other parts of the lawn.

The *Spot Cutting* function is activated with the **START** button. You can select how the product should continue to work once mowing is finished by pushing the right **arrow** button and then specifying *Main Area* or *Secondary Area*.

### 4.4 Operating mode, **PARK** Automower® 305/310/315/315X/ 420/430X/440/450X

Push the **PARK** button to select one of the following operating modes:



- *Park until further notice*: The product stays in the charging station until another operating mode is selected by pushing the **START** button.
- *Start again in 3 hours*: The product stays in the charging station for three hours and then automatically returns to normal operation. This operation mode is suitable when there is a need to pause operation, e.g. for temporary irrigation or for games on the lawn.

- *Start with schedule:* The product stays in the charging station until the next schedule setting permits operation. This operating mode is suitable if one wishes to cancel an ongoing mowing cycle and allow the product to stay in the charging station until the next day. This option is not displayed if there are no schedule settings.

## 4.5 Connectivity

You can communicate with your product through the mobile application Automower® Connect. Automower® Connect is available for your mobile device and tablet (Apple or Android). With Automower® Connect activated, new icons will be displayed on the product's display. For more detailed information, refer to complete Operator's manual.

**Note:** All countries do not support Automower® Connect because of legal reasons and regional specified cellular systems. The included Automower® Connect lifetime service only applies if there is a third part sub-supplier of 2G/3G/4G available in the operational area. In some countries Bluetooth® is not available due to legal reasons.

### 4.5.1 Automower® Connect

Automower® Connect is included in Automower® 315X/430X/450X and available as accessory for Automower® 305/310/315/420/440.

Automower® Connect brings the menu system to your mobile device, making it easy to read and change the product settings remotely. Through this application, you can receive the product's current status and send commands to the product from anywhere in the world. In case of theft, you get an alarm and are able to track your product's position.

### 4.5.2 Automower® Connect@Home

Included in Automower® 305/310/315/315X/420/430X/440/450X.

Automower® Connect@Home uses a short-range Bluetooth® wireless technology. This means that you can communicate between the smartphone and the product as long as you are within communication range. An icon for Bluetooth communication will appear in the product display when connection with your smartphone has been established.

**Note:** Automower® Connect@Home has similar but not as extensive functionality as Automower® Connect, and uses the same app.

### 4.5.3 Getting started

Download the Automower® Connect app (also applicable for Automower® Connect@Home) from AppStore or GooglePlay. Once you have downloaded the app, you can specify an e-mail address and a password to create an account. You will receive a validation e-mail to the e-mail address you specified. Follow the instructions in the e-mail within 24 hours to validate your account. If not validated within 24 hours, you will have to create your account again. When the account has been created in the app you can pair the product and your smartphone.

### 4.5.4 Pair with Automower® Connect

Select the function *Accessories > Automower Connect > Pairing > New pairing*. When the app prompts you to do so, enter the 6-digit code shown on the product display. Also enter your chosen name of the product into the app. Automower® Connect is always connected to your product as long as the mobile device have contact with the mobile network and the product is charged and the product is switched on.

### 4.5.5 Pair with Automower® Connect@Home

Activate Bluetooth® wireless communication on your smartphone. Select the function *Accessories > Connect@Home > New pairing* and follow the instructions in the app. After pairing your product and smartphone they will automatically connect each time you get into range. If you want to connect to the product

without having an account you can still use Automower® Connect@Home by selecting Automower® Direct in the start-up screen in the app.

## 4.6 Adjusting the cutting height

If the grass is long, let the product start mowing at the MAX cutting height. Once the grass is shorter, you can gradually lower the cutting height.

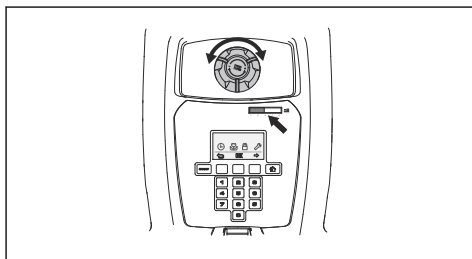


**CAUTION:** During the first week after a new installation, the cutting height must be set to MAX to avoid damaging the loop wire. After this, the cutting height can be lowered one step every week until the desired cutting height has been reached.

### 4.6.1 Automower® 105

The cutting height can be varied from MIN (2 cm / 0.8") to MAX (5 cm / 2.0"). To adjust the cutting height:

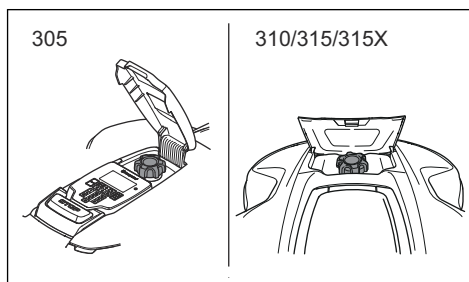
1. Push the **STOP** button to stop the product. Then open the hatch.
2. Turn the height adjustment knob to the required position. The selected position is indicated by the orange column on the height adjustment indicator.



### 4.6.2 Automower® 305/310/315/315X

The cutting height can be varied from MIN (2 cm / 0.8") to MAX (6 cm / 2.4") in 9 steps.

1. Push the **STOP** button to stop the product and open the cutting height adjustment hatch.
2. Turn the knob to the required position. Turn clockwise to increase and counter-clockwise to decrease the cutting height. The arrow aligns with the selected position marked on the body.



### 4.6.3 Automower® 420/430X/440/450X

The cutting height can be varied from MIN to MAX in 9 steps.

1. Push the **STOP** button to stop the product and open the hatch.
2. Push the **MENU** button to access the main menu.
3. Move the cursor using the up/down **arrow** buttons to select menu *Cutting height*.
4. Push **OK**.
5. Increase/Decrease the cutting height with the **arrow** buttons.

## 5 Maintenance

### 5.1 Cleaning

For better operation and longer service life, make sure to clean the product regularly and replace worn parts. The product does not operate satisfactorily in slopes if the wheels

are blocked with grass. Use a soft brush to clean the product.

Husqvarna offers a special cleaning and maintenance kit as an accessory. Contact your local Husqvarna representative.



**WARNING:** Wear protective gloves.



**WARNING:** Switch off the product with the **main switch** or the **ON/OFF** button when you turn the product upside down.

Switch off the product during all work on the chassis of the product, such as cleaning or replacing the blades.



**WARNING:** Use the plug to disconnect the charging station before maintenance, or cleaning of the charging station or power supply.



**CAUTION:** Push the **STOP** button and pull the product out of the charging station before lifting it. Do not lift the product when it is parked in the charging station. This can damage the charging station and/or the product.

### 5.1.1 Cleaning Automower® 105/310/315/315X/420/430X/440/450X



**CAUTION:** Do not use a high-pressure washer or running water to clean the product. Do not use solvents to clean the product.

### 5.1.2 Cleaning Automower® 305

Clean the product with a brush or running water from a water hose.



**CAUTION:** Do not use a high-pressure washer to clean the product. Do not use solvents to clean the product.

## 5.2 Battery



**WARNING:** Only charge the product using a charging station and power supply which is intended for it. Incorrect use may result in electric shock, overheating or leakage of corrosive liquid from the battery. In the event of leakage of electrolyte flush with water and seek medical help if it comes in contact with the eyes etc.



**WARNING:** Use only original batteries recommended by the manufacturer. Product safety cannot be guaranteed with other batteries. Do not use non-rechargeable batteries.



**CAUTION:** The battery must be charged fully before winter storage. If the battery is not fully charged it can be damaged and in certain cases be rendered useless.

The charging time can vary depending on, among other factors, the ambient temperature.

Below indicates that the battery is getting old and eventually needs replacing:

- The operating time for the product is shorter than normal between charges. This leads to more charging cycles than normal, which increases the risk of tracks forming near the charging station.
- The product is found standing out on the lawn with *Empty battery* message. This indicates that the product does not have battery capacity enough to find the charging station.

The battery is fine as long as the product maintains a well-cut lawn.

---

**Note:** Battery life is dependent on the length of the season and how many hours a day the product is operating. A long season or many hours of use a day means that the battery must be replaced more regularly.

---

Contact your local Husqvarna representative to replace the battery.

### 5.3 Replace the blades

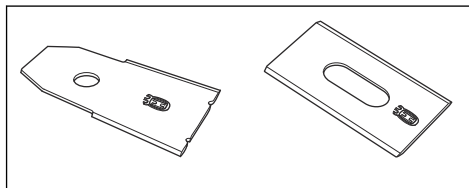


**WARNING:** Use blades and screws of the right type. Husqvarna can only guarantee safety when using original blades. Only replacing the blades and reusing the screw can result in a screw wearing during mowing. The blades can then be propelled from under the body and cause serious injury.

---

Replace worn or damaged parts for safety reasons. Even if the blades are intact, they should be replaced on a regular basis for the best mowing result and low energy usage. All 3 blades and screws must be replaced at the same time to obtain a balanced cutting

system. Use Husqvarna original blades embossed with the crowned H-mark logotype, refer to *Warranty terms on page 34*.



### 5.4 To replace the blades

1. Switch off the product with the **main switch** or the **ON/OFF** button.
2. Turn the product upside down. Place the product on a soft and clean surface to avoid scratching the body and the hatch.
3. Rotate the skid plate so that its holes align with the screws for the blade.
4. Remove the 3 screws. Use a straight slot or cross-tip screwdriver.
5. Remove each blade and screw.
6. Fasten new blades and screws.
7. Check that the blades can pivot freely.

---

## 6 Troubleshooting

---

### 6.1 Troubleshooting

In case of malfunction, a message will appear on the display. For more detailed information on messages, refer to the complete Operator's manual on Husqvarna's website ([www.husqvarna.com](http://www.husqvarna.com)). If the same message appears often or if you still cannot find the reason for the fault, contact your local Husqvarna representative.

Breaks in the loop wire are usually the result of unintentional physical damage to the wire such as when gardening with a shovel. Breaks can also be due to the wire being stretched excessively during installation. A wire break can be located by gradually halving the distance of the loop where the break may have occurred, until there is only a very short section of the wire left. Refer to the complete Operator's manual on Husqvarna's website ([www.husqvarna.com](http://www.husqvarna.com)).

### 6.1.1 Indicator lamp in the charging station

For a fully functional installation, the indicator lamp in the charging station must emit a solid or flashing green light. If something else appears, follow the troubleshooting guide below.

There is more help on [www.husqvarna.com](http://www.husqvarna.com). If you still need help, please contact your local Husqvarna representative.

Light	Cause	Action
<i>Green solid light</i>	Good signals	No action required
<i>Green flashing light</i>	The signals are good and <i>ECO mode</i> is activated.	No action required.
<i>Blue flashing light</i>	The boundary loop is not connected to the charging station.	Check that the boundary wire connectors are fitted properly to the charging station.
	Break in the boundary loop.	Find out where the break is. Replace the damaged section of the loop with a new loop wire, and splice using an original coupler.
<i>Red flashing light</i>	Interruption in the charging station's antenna.	Contact your local Husqvarna representative.
<i>Red solid light</i>	Fault in the circuit board or incorrect power supply in the charging station. The fault should be rectified by an authorized service technician.	Contact your local Husqvarna representative.

---

## 7 Transportation, storage and disposal

---

### 7.1 Transportation

The supplied Li-ion batteries obey the Dangerous Goods Legislation requirements.

- Obey all applicable national regulations.
- Obey the special requirement on package and labels for commercial transportations, including by third parties and forwarding agents.
- For how to remove the battery, refer to the complete Operator's manual on [www.husqvarna.com](http://www.husqvarna.com).

The PIN code contains four digits and is selected when you start the product for the first time. Refer to complete Operator's manual.

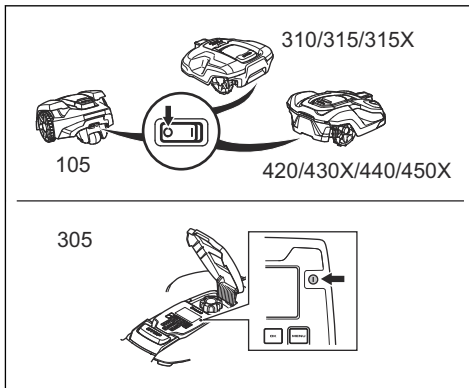
2. Switch off the product with the **main switch** or the **ON/OFF** button.

#### 7.1.1 How to lift and move the product

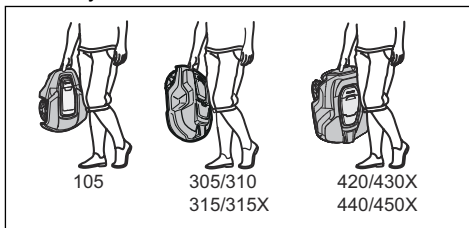
To safely move from or within the work area:

1. Push the **STOP** button to stop the product. If security is set to the medium or high level the PIN code has to be entered.





3. Carry the product by the handle under the product with the blade disc away from the body.



## 7.2 Winter storage

### 7.2.1 The robotic lawn mower

The product must be cleaned carefully before putting it away for the winter. Refer to *Cleaning on page 21*.



**CAUTION:** The battery must be charged fully before winter storage. If the battery is not fully charged it can be damaged and in certain cases be rendered useless.

Place the product in the charging station with the hatch open until the battery icon in the display shows that the battery is fully charged. Switch off the product with the **main switch** or the **ON/OFF** button.

Check the condition of wear items such as blades and bearings in the rear wheel. Rectify if necessary to make sure the product is in good condition prior to next season.

Store the product standing on all wheels and place it in a dry, frost-free environment, preferably in the products's original packaging. You can also hang the product on a Husqvarna original wall hanger. Contact your Husqvarna representative for more information about available wall hangers.

### 7.2.2 The charging station

Store the charging station and power supply indoors. The boundary wire and the guide wire can be left in the ground.

1. Disconnect the charging station's power supply from the mains.
2. Release the connector lock and pull the connector out.
3. Disconnect the boundary and guide wire contacts from the charging station.

The ends of the wires should be protected from damp, for example by putting them in a container with grease.

If it is not possible to store the charging station indoors, the charging station must be connected to the mains, the boundary wire and the guide wires the entire winter.

### 7.3 Environmental information



The symbol on the Husqvarna product indicates that this product cannot be treated as domestic waste. It should instead be left at a suitable recycling centre to recycle its electronic components and batteries. The battery must be removed from the product before it is scrapped.

For disassembly of the battery see the complete Operator's manual on Husqvarna's website.

For more detailed information about recycling this product, contact your municipality, your domestic waste service or the shop from where you purchased the product.

## 8 Technical data

### 8.1 Automower® 105/305

Dimensions	Automower® 105	Automower® 305
Length, cm / "	55 / 21.7	57 / 22.4
Width, cm / "	39 / 15.4	43 / 16.9
Height, cm / "	25 / 9.8	25 / 9.8
Weight, kg / lbs	6.9 / 15	9.4 / 21

Electrical system	Automower® 105	Automower® 305
Battery, Lithium-Ion 18.5 V/2.1 Ah Art. No.	586 57 62-02	584 85 28-01, 584 85 28-02
Battery, Lithium-Ion 18 V/2.0 Ah Art. No.	586 57 62-03	584 85 28-03
Battery, Lithium-Ion 18.25 V/2.0 Ah Art. No.	586 57 62-04	584 85 28-04
Power supply, V/28 V DC	100-240	100-240
Low voltage cable length, m / ft	5 / 16.4	10 / 33
Mean energy consumption at maximum use	5 kWh/month for a work area of 600 m <sup>2</sup> / 0.15 acre	5 kWh/month for a work area of 600 m <sup>2</sup> / 0.15 acre
Charging current, A DC	1.3	1.3
Type of Power Supply Unit	FW7312, ADP-40BR	ADP-40EW, ADP-40BR, FW7312
Average mowing time, min	65	60
Average charging time, min	50	60

Boundary wire antenna	Automower® 105	Automower® 305
Operating Frequency Band, Hz	300-80000	300-80000
Maximum Radio-frequency power, mW @60m <sup>13</sup>	<25	<25

<sup>13</sup> Maximum active output power to antennas in the frequency band in which the radio equipment operates.

Noise emissions measured in the environment as sound power <sup>14</sup>	Automower® 105	Automower® 305
Measured sound power noise level, dB (A)	58	58
Guaranteed sound power noise level, dB (A)	61	59
Sound pressure noise level at the operator's ear, dB (A) <sup>15</sup>	47	47

Mowing	Automower® 105	Automower® 305
Cutting system	3 pivoted cutting blades	
Blade motor speed, rpm	2900	2200
Power consumption during cutting, W +/- 20 %	20	25
Cutting height, cm / "	2-5 / 0.8-2.0	2-5 / 0.8-2.0
Cutting width, cm / "	17 / 6.7	22 / 8.7
Narrowest possible passage, cm / "	60 / 24	60 / 24
Maximum angle for work area, %	25	40
Maximum angle for boundary wire, %	15	15
Maximum length boundary wire, m / ft	400 / 1300	800 / 2600
Maximum length guide loop, m / ft	200 / 650	400 / 1300
Working capacity, m <sup>2</sup> / acre, +/- 20%	600 / 0.15	600 / 0.15

IP-classification	Automower® 105	Automower® 305
Robotic lawn mower	IPX4	IPX5
Charging station	IPX1	IPX1
Power supply	IPX4	IPX4

<sup>14</sup> Noise emissions in the environment measured as sound power ( $L_{wa}$ ) in conformity with EC directive 2000/14/EC and New South Wales legislation (Protection of the Environment Operations Regulation 2017, Noise Control). The guaranteed sound power level includes variation in production as well as variation from the test code with 1-3 dB(A). Noise emission data can be found on the rating label and in the Technical data chapter.

<sup>15</sup> Sound pressure noise uncertainties  $K_{pA}$ , 2-4 dB (A)

## 8.2 Automower® 310/315/315X

Dimensions	Automower® 310	Automower® 315	Automower® 315X
Length, cm / "	63 / 24.8	63 / 24.8	63 / 24.8
Width, cm / "	51 / 20.1	51 / 20.1	51 / 20.1
Height, cm / "	25 / 9.8	25 / 9.8	25 / 9.8
Weight, kg / lbs	9.2 / 20	9.2 / 20	10.1 / 22

Electrical system	Automower® 310	Automower® 315	Automower® 315X
Battery, Lithium-Ion 18.5 V/2.1 Ah Art. No.	584 85 28-01, 584 85 28-02	584 85 28-01, 584 85 28-02	584 85 28-01, 584 85 28-02
Battery, Lithium-Ion 18 V/2.0 Ah Art. No.	584 85 28-03, 590 21 42-02, 593 11 40-01, 593 11 40-02	584 85 28-03, 590 21 42-02, 593 11 40-01, 593 11 40-02	584 85 28-03, 590 21 42-02, 593 11 40-01, 593 11 40-02
Battery, Lithium-Ion 18.25 V/2.0 Ah Art. No.	584 85 28-04, 590 21 42-03	584 85 28-04, 590 21 42-03	584 85 28-04, 590 21 42-03
Power supply, V/28 V DC	100-240	100-240	100-240
Low voltage cable length, m / ft	10 / 33	10 / 33	10 / 33
Mean energy consumption at maximum use	8 kWh/ month for a work area of 1000 m <sup>2</sup> / 0.25 acre	10 kWh/ month for a work area of 1500 m <sup>2</sup> / 0.37 acre	10 kWh/ month for a work area of 1600 m <sup>2</sup> / 0.4 acre
Charging current, A DC	1.3	1.3	1.3
Type of Power Supply Unit	FW7312, ADP-40BR	FW7312, ADP-40BR	FW7312, ADP-40BR
Average mowing time, min	70	70	70
Average charging time, min	60	60	60

<b>Boundary wire antenna</b>	<b>Automower® 310</b>	<b>Automower® 315</b>	<b>Automower® 315X</b>
Operating Frequency Band, Hz	300-80000	300-80000	300-80000
Maximum Radio-frequency power, mW @60m <sup>16</sup>	<25	<25	<25

<b>Noise emissions measured in the environment as sound power<sup>17</sup></b>	<b>Automower® 310</b>	<b>Automower® 315</b>	<b>Automower® 315X</b>
Measured sound power noise level, dB (A)	58	58	58
Guaranteed sound power noise level, dB (A)	60	60	60
Sound pressure noise level at the operator's ear, dB (A) <sup>18</sup>	47	47	47

<b>Mowing</b>	<b>Automower® 310</b>	<b>Automower® 315</b>	<b>Automower® 315X</b>
Cutting system	3 pivoted cutting blades		
Blade motor speed, rpm	2300	2300	2300
Power consumption during cutting, W +/- 20 %	25	25	25
Cutting height, cm / "	2-6 / 0.8-2.4	2-6 / 0.8-2.4	2-6 / 0.8-2.4
Cutting width, cm / "	22 / 8.7	22 / 8.7	22 / 8.7
Narrowest possible passage, cm / "	60 / 24	60 / 24	60 / 24
Maximum angle for work area, %	40	40	40
Maximum angle for boundary wire, %	15	15	15
Maximum length boundary wire, m / ft	800 / 2600	800 / 2600	800 / 2600
Maximum length guide loop, m / ft	400 / 1300	400 / 1300	400 / 1300
Working capacity, m <sup>2</sup> / acre, +/- 20%	1000 / 0.25	1500 / 0.37	1600 / 0.4

<sup>16</sup> Maximum active output power to antennas in the frequency band in which the radio equipment operates.

<sup>17</sup> Noise emissions in the environment measured as sound power ( $L_{wa}$ ) in conformity with EC directive 2000/14/EC and New South Wales legislation (Protection of the Environment Operations Regulation 2017, Noise Control). The guaranteed sound power level includes variation in production as well as variation from the test code with 1-3 dB(A). Noise emission data can be found on the rating label and in the Technical data chapter.

<sup>18</sup> Sound pressure noise uncertainties  $K_{pA}$ , 2-4 dB (A)

<b>IP-classification</b>	<b>Automower® 310</b>	<b>Automower® 315</b>	<b>Automower® 315X</b>
Robotic lawn mower	IPX4	IPX4	IPX4
Charging station	IPX1	IPX1	IPX1
Power supply	IPX4	IPX4	IPX4

### 8.3 Automower® 420/430X/440/450X

<b>Dimensions</b>	<b>Automower® 420</b>	<b>Automower® 430X</b>	<b>Automower® 440</b>	<b>Automower® 450X</b>
Length, cm / "	72 / 28.3	72 / 28.3	72 / 28.3	72 / 28.3
Width, cm / "	56 / 22.0	56 / 22.0	56 / 22.0	56 / 22.0
Height, cm / "	31 / 12.2	31 / 12.2	31 / 12.2	31 / 12.2
Weight, kg / lbs	11.5 / 25	13.2 / 29	12 / 27	13.9 / 31

Electrical system	Automower® 420	Automower® 430X	Automower® 440	Automower® 450X
Battery, Lithium-Ion 18.5 V/4.0 Ah Art. No.	580 68 33-02			
Battery, Lithium-Ion 18 V/4.0 Ah Art. No.	580 68 33-03, 593 11 41-02, 593 11 42-01			
Battery, Lithium-Ion 18.25 V/4.0 Ah Art. No.	580 68 33-04, 593 11 41-03, 593 11 42-02			
Battery, Lithium-Ion 18 V/5.2 Ah Art. No.			588 14 64-01 (2 pcs.) 5.2 Ah/battery	
Battery, Lithium-Ion 18 V/5.0 Ah Art. No.		593 11 84-01, 593 11 85-01	588 14 64-02, 593 11 84-01, 593 11 85-01 (2 pcs.) 5.0 Ah/battery	593 11 84-01, 593 11 85-01 (2 pcs.) 5.0 Ah/battery
Battery, Lithium-Ion 18 V/4.9 Ah Art. No.		593 11 84-02, 593 11 85-02	588 14 64-03, 593 11 84-02, 593 11 85-02 (2 pcs.) 4.9 Ah/battery	593 11 84-02, 593 11 85-02 (2 pcs.) 4.9 Ah/battery
Power supply, V/28 V DC	100-240	100-240	100-240	100-240
Low voltage cable length, m / ft	10 / 33	10 / 33	10 / 33	10 / 33
Mean energy consumption at maximum use	17 kWh/ month for a work area of 2200 m <sup>2</sup> / 0.55 acre	18 kWh/ month for a work area of 3200 m <sup>2</sup> / 0.8 acre	20 kWh/ month for a work area of 4000 m <sup>2</sup> / 1 acre	23 kWh/ month for a work area of 5000 m <sup>2</sup> / 1.25 acres
Charging current, A DC	2.2	4.2	7	7
Type of Power Supply Unit	ADP-60JR, FW7438	FW7448, ADP-120DR	FW7458/28/D , ADP-200JR	FW7458/28/ D, ADP-200JR
Average mowing time, min	75	145	290	270
Average charging time, min	50	50	60	60

Boundary wire antenna	Automower® 420	Automower® 430X	Automower® 440	Automower® 450X
Operating Frequency Band, Hz	300-80000	300-80000	300-80000	300-80000
Maximum Radio-frequency power, mW @60m <sup>19</sup>	<25	<25	<25	<25

Noise emissions measured in the environment as sound power <sup>20</sup>	Automower® 420	Automower® 430X	Automower® 440	Automower® 450X
Measured sound power noise level, dB (A)	57	57	56	58
Guaranteed sound power noise level	58	58	56	59
Sound pressure noise level at the operator's ear, dB (A) <sup>21</sup>	46	46	45	47

Mowing	Automower® 420	Automower® 430X	Automower® 440	Automower® 450X
Cutting system	3 pivoted cutting blades			
Blade motor speed, rpm	2300	2300	2300	2300
Power consumption during cutting, W +/- 20 %	30	30	30	35
Cutting height, cm / "	2-6 / 0.8-2.4	2-6 / 0.8-2.4	2-6 / 0.8-2.4	2-6 / 0.8-2.4
Cutting width, cm / "	24 / 9.4	24 / 9.4	24 / 9.4	24 / 9.4
Narrowest possible passage, cm / "	60 / 24	60 / 24	60 / 24	60 / 24
Maximum angle for work area, %	45	45	45	45
Maximum angle for boundary wire, %	15	15	15	15
Maximum length boundary wire, m / ft	800 / 2600	800 / 2600	800 / 2600	800 / 2600
Maximum length guide loop, m / ft	400 / 1300	400 / 1300	400 / 1300	400 / 1300
Working capacity, m <sup>2</sup> / acre(s), +/- 20%	2200 / 0.55	3200 / 0.8	4000 / 1	5000 / 1.25

<sup>19</sup> Maximum active output power to antennas in the frequency band in which the radio equipment operates.

<sup>20</sup> Noise emissions in the environment measured as sound power ( $L_{wa}$ ) in conformity with EC directive 2000/14/EC and New South Wales legislation (Protection of the Environment Operations Regulation 2017, Noise Control). The guaranteed sound power level includes variation in production as well as variation from the test code with 1-3 dB(A). Noise emission data can be found on the rating label and in the Technical data chapter.

<sup>21</sup> Sound pressure noise uncertainties  $K_{pA}$ , 2-4 dB (A)



IP-classification	Automower® 420	Automower® 430X	Automower® 440	Automower® 450X
Robotic lawn mower	IPX4	IPX4	IPX4	IPX4
Charging station	IPX1	IPX1	IPX1	IPX1
Power supply	IPX4	IPX4	IPX4	IPX4

Frequency Band Support	
Bluetooth® Frequency range	2400.0-2483.5 MHz
Automower® Connect 2G	GSM 850 MHz
	E-GSM 900 MHz
	DCS 1800 MHz
	PCS 1900 MHz
Automower® Connect 3G	Band 19 (800 MHz)
	Band 5 (850 MHz)
	Band 8 (900 MHz)
	Band 2 (1900 MHz)
	Band 1 (2100 MHz)
Automower® Connect 4G	Band 12 (700 MHz)
	Band 17 (700 MHz)
	Band 28 (700 MHz)
	Band 13 (700 MHz)
	Band 20 (800 MHz)
	Band 26 (850 MHz)
	Band 5 (850 MHz)
	Band 19 (850 MHz)
	Band 8 (900 MHz)
	Band 4 (1700 MHz)
	Band 3 (1800 MHz)
	Band 2 (1900 MHz)
	Band 25 (1900 MHz)
	Band 1 (2100 MHz)
Band 39 (1900 MHz)	

Power Class		
Bluetooth® Output power	8 dBm	
Automower® Connect 2G	Power Class 4 (for GSM/E-GSM)	33 dBm
	Power Class 1 (for DCS/PCS)	30 dBm
	Power Class E2 (for GSM/E-GSM bands)	27 dBm
	Power Class E2 (for DCS/PCS bands)	26 dBm
Automower® Connect 3G	Power Class 3	24 dBm
Automower® Connect 4G	Power Class 3	23 dBm

Husqvarna AB does not guarantee full compatibility between the product and other types of wireless systems such as remote controls, radio transmitters, hearing loops, underground electric animal fencing or similar.

The products are made in England or the Czech Republic. See information on the rating plate. Refer to *Introduction on page 2*

## 8.4 Registered trademarks

The *Bluetooth®* word mark and logos are registered trademarks owned by *Bluetooth SIG, inc.* and any use of such marks by Husqvarna is under license.

---

# 9 Warranty

---

## 9.1 Warranty terms

Husqvarna warranty covers this product's functionality for a period of 2 years from date of purchase. The warranty covers serious faults relating to materials or manufacturing faults. Within the warranty period, we will replace the product or repair it at no charge if the following terms are met:

- The product and the charging station may only be used in compliance with the instructions in this Operator's Manual. This manufacturer's warranty does not affect warranty entitlements against the dealer/retailer.
- End-users or non-authorized third parties must not attempt to repair the product.

Examples of faults which are not included in the warranty:

- Damage caused by water seepage from using a high-pressure washer, or from being submerged under water, for example when heavy rain forms pools of water.
- Damage caused by lightning.
- Damage caused by improper battery storage or battery handling.
- Damage caused by using a battery that is not a Husqvarna original battery.
- Damage caused by not using Husqvarna original spare parts and accessories, such as blades and installation material.
- Damage to the loop wire.
- Damage caused by non-authorized changing or tampering with the product or its power supply.

The blades and wheels are seen as disposable and are not covered by the warranty.

If an error occurs with your Husqvarna product, please contact Husqvarna customer service for further instructions. Please have the receipt and the product's serial number at

hand when contacting Husqvarna customer service.

---

## 10 EC Declaration of Conformity

---

### 10.1 EC Declaration of Conformity

**Husqvarna AB**, SE-561 82 Huskvarna, Sweden, tel: +46-36-146500, declares that the Robotic lawn mowers **Husqvarna Automower® 105**, **Husqvarna Automower® 305**, **Husqvarna Automower® 310**, **Husqvarna Automower® 315**, **Husqvarna Automower® 315X**, **Husqvarna Automower® 420**, **Husqvarna Automower® 430X**, **Husqvarna Automower® 440** and **Husqvarna Automower® 450X** with serial numbers dating 2019 week 40 and onwards (the year and week is clearly stated on the rating plate, followed by the serial number), comply with the requirements of the COUNCIL'S DIRECTIVE:

- Directive "relating to machinery" **2006/42/EC**.
  - Particular requirements for robotic battery powered electrical lawn mowers **EN 50636-2-107: 2015**.
  - Electromagnetic fields **EN 62233: 2008**.
- Directive on "restriction of use of certain hazardous substances" **2011/65/EU**.
  - The following standard is applied: **EN 50581:2012**
- Directive "relating to noise emissions from outdoor equipment" **2000/14/EC**. See also *Technical data on page 26* for information regarding noise emissions and the cutting width.

For **Husqvarna Automower® 105** (certificate 01/901/176), **Husqvarna Automower® 305** (certificate 01/901/322), **Husqvarna Automower® 310/315** (certificate 01/901/225), **Husqvarna Automower® 315X** (certificate 01/901/286) and **Husqvarna Automower® 420/430X/440/450X** (certificate 01/901/201): The notified body RISE SMP

Svensk Maskinprovning AB, Box 7035, SE-750 07 Uppsala, Sweden, has issued a report regarding the assessment of conformity according to annex VI to the Council's Directive of May 8, 2000 "relating to noise emissions into the environment" 2000/14/EC.

- Directive "relating to radio equipment" **2014/53/EU**. Type examination certificate is issued for examination to Directive 2014/53/EU. Type examination certificate number for **Husqvarna Automower® 105** is SC1110-17. The following standards have been applied:

- **ETSI EN 303 447 V1.1.1**

Electromagnetic compatibility:

- **ETSI EN 301 489-1 V2.2.0**
- **EN 61000-6-1:2007**
- **EN 61000-6-3:2007/A1:2011**

For **Husqvarna Automower® 315X**, **Husqvarna Automower® 430X** and **Husqvarna Automower® 450X** equipped with the **Automower® Connect** module also:

- **ETSI EN 301 489-19 V2.1.0**
- **ETSI EN 301 489-52 V1.1.1**
- **ETSI EN 301 511 V12.5.1**
- **ETSI EN 301 908-2 V11.1.1**

For Husqvarna Automower® 305, Husqvarna Automower® 310, Husqvarna Automower® 315, Husqvarna Automower® 315X, Husqvarna Automower® 420, Husqvarna Automower® 430X, Husqvarna Automower® 440 and Husqvarna Automower® 450X equipped with Bluetooth® also:

- ETSI EN 300 328 V2.1.1
- ETSI EN 301 489-17 V3.1.1



Husqvarna 2019-12-12

Lars Roos

Global R&D Director, Electric category

(Authorized representative for Husqvarna AB and responsible for technical documentation.)

---

## Inhalt

---

12 Einleitung.....	37	17 Fehlerbehebung.....	61
13 Sicherheit.....	45	18 Transport, Lagerung und Entsorgung.....	62
14 Installation.....	50	19 Technische Angaben.....	64
15 Betrieb.....	55	20 Gewährleistung.....	73
16 Wartung.....	59	21 EG-Konformitätserklärung.....	74

---

## 12 Einleitung

---

### 12.1 Einleitung

<b>Seriennummer:</b>
----------------------

<b>PIN-Code:</b>
------------------

Die Seriennummer findet sich auf dem Typenschild und auf dem Karton des Geräts.

- Verwenden Sie die Seriennummer, um Ihr Gerät auf [www.husqvarna.com](http://www.husqvarna.com) zu registrieren.

### 12.2 Support

Wenden Sie sich an Ihren Husqvarna Servicehändler, um Support für das Gerät zu erhalten.

#### 12.2.1 Vollständige Bedienungsanleitung

Eine vollständige Bedienungsanleitung befindet sich auf der Husqvarna Website [www.husqvarna.com](http://www.husqvarna.com). Diese ist ausführlicher und enthält weitere Informationen, z. B. Anweisungen zur Installation, Wartung, Fehlerbehebung und Menüstruktur.

#### 12.2.2 Gerätebeschreibung

**Hinweis:** Husqvarna aktualisiert regelmäßig das Erscheinungsbild und die Funktion der Geräte. Siehe *Support auf Seite 37*.

---

Das Gerät ist ein Mähroboter. Das Gerät ist akkubetrieben und schneidet das Gras automatisch. Das Aufsammeln des Grases ist nicht erforderlich.

Der Bediener legt die Betriebseinstellungen mit den Tasten auf der Tastatur fest. Das Display zeigt die ausgewählten und möglichen Betriebseinstellungen und den Betriebsmodus des Geräts an.

Das Begrenzungskabel und das Leitkabel steuern die Bewegungen des Geräts innerhalb des Arbeitsbereichs.

#### 12.2.2.1 Automower® Connect

Automower® Connect ist eine mobile Anwendung, die es ermöglicht, die Betriebseinstellungen per Fernzugriff auszuwählen. Siehe *Konnektivität auf Seite 57*.

### 12.3 Kapazität

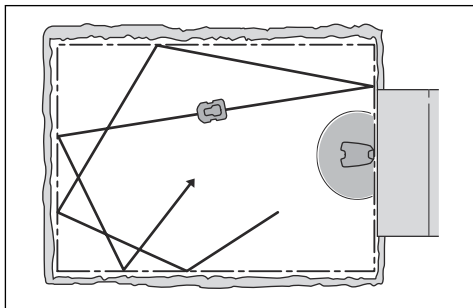
Die Größe der Fläche, die das Gerät bearbeiten kann, hängt hauptsächlich vom Zustand der Klingen sowie von Grasart, Wachstum und Feuchtigkeit ab. Darüber hinaus ist auch die Form des Gartens von entscheidender Bedeutung. Wenn der Garten hauptsächlich aus einer freien Rasenfläche besteht, kann das Gerät pro Stunde mehr mähen, als wenn der Garten aus verschiedenen kleinen Rasenflächen mit vielen Bäumen, Blumenbeeten und Passagen besteht. Informationen zur Arbeitskapazität finden Sie unter *Technische Angaben auf Seite 64*.

Optimale Mähergebnisse werden erzielt, wenn das Gerät das Gras bei trockenem Wetter mähen kann. Das Gerät kann auch bei Regen

mähen. Nasses Gras bleibt jedoch leichter hängen. Außerdem steigt das Risiko, dass das Gerät an steilen Hängen ins Rutschen kommt. Die Klingen müssen für ein optimales Mähergebnis stets in gutem Zustand sein. Um die Klingen solange wie möglich scharf zu halten, ist es wichtig, dass sich keine Äste, kleinen Steine oder anderen Gegenstände auf dem Rasen befinden. Tauschen Sie die Klingen regelmäßig aus. Siehe *Austausch der Klingen auf Seite 60*.

## 12.4 Bewegungsmuster

Das Bewegungsmuster des Geräts ist zufällig. Dies bedeutet, dass der Rasen gleichmäßig ohne Mählinien gemäht wird.

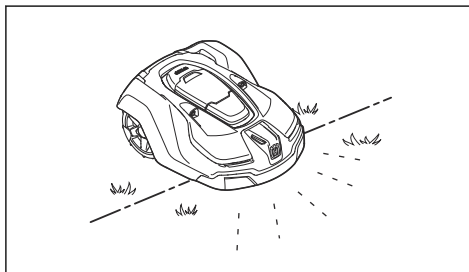


## 12.5 Arbeitsmethode

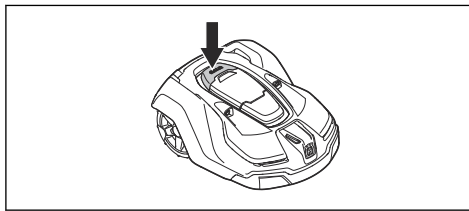
Automower® 315X/430X/450X verwendet GPS-unterstützte Navigation zum Mähen und beginnt an einer Stelle im Garten, an der er längere Zeit nicht gemäht hat. Bei den anderen Modellen müssen Sie unter Umständen Fernstarteinstellungen festlegen, um einen gleichmäßigen Rasenschnitt sicherzustellen; weitere Informationen dazu finden Sie in der vollständigen Bedienungsanleitung auf der Website von Husqvarna.

Wenn das Gerät an ein Hindernis stößt oder sich dem Begrenzungskabel nähert, dreht es um und schlägt eine neue Richtung ein. Mittels Sensoren vorne und hinten erkennt das Gerät, wenn es sich dem Begrenzungskabel nähert. Die Vorderseite des Geräts ragt vor dem Drehen immer etwas über das Begrenzungskabel hinaus. Der

Abstand kann geändert werden, um der Installation, falls erforderlich, angepasst zu werden.



Die Taste **STOP** oben auf dem Gerät dient hauptsächlich dazu, es anzuhalten, wenn es in Betrieb ist. Wenn die Taste **STOP** gedrückt wird, öffnet sich die Abdeckung, unter der sich das Bedienfeld befindet. Die Taste **STOP** bleibt eingerastet, bis die Abdeckung wieder geschlossen wird. Dies dient zusammen mit der Taste **START** als Startsperr.



**Hinweis:** Drücken Sie immer die Taste **START**, bevor Sie die Abdeckung zum Starten des Geräts schließen. Wenn die Taste **START** nicht gedrückt wurde, ist ein Warnton zu hören und das Gerät startet nicht.

**Hinweis:** Wenn das Gerät zum ersten Mal gestartet wird, beginnt eine Startsequenz mit einer Reihe von Grundeinstellungen, siehe „Grundeinstellungen vornehmen“ in der vollständigen Bedienungsanleitung auf der Husqvarna Website.

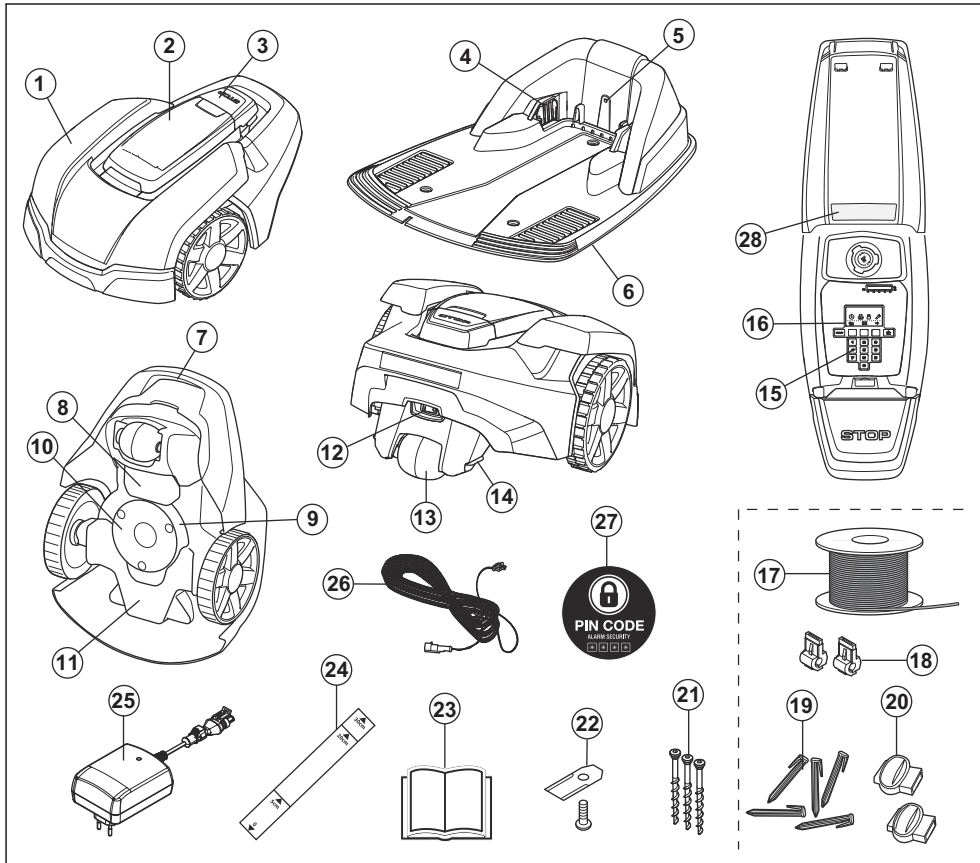
## 12.6 Suchen der Ladestation

Um die Ladestation zu finden, kann der Automower® 305/310/315/315X/420/430X/440/450X auf bis zu drei verschiedene

Suchmethoden eingestellt werden. Das Gerät kombiniert diese 3 Suchmethoden automatisch, um die Ladestation so schnell wie möglich zu finden und dabei unnötige

Spurenbildung zu vermeiden. Der Automower® 105 folgt immer dem Leitkabel zur Ladestation.

## 12.7 Geräteübersicht Automower® 105



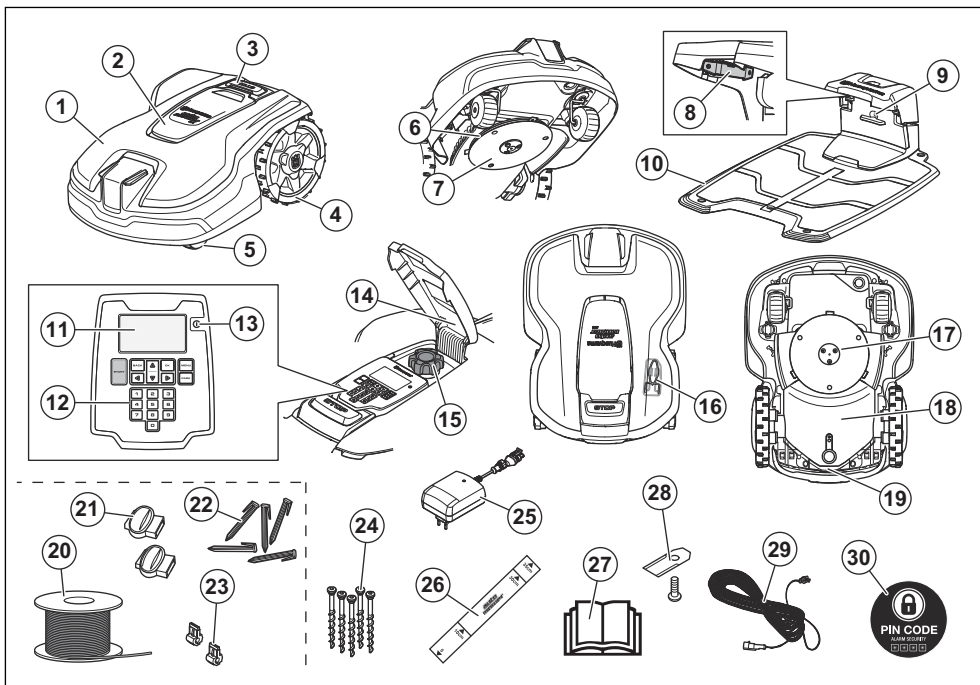
Die Zahlen in der Darstellung stehen für:

1. Gehäuse
2. Abdeckung für Display, Tastatur und Schnitthöheneinstellung
3. Stopptaste
4. Kontaktbleche
5. LED für Funktionsprüfung der Ladestation, des Begrenzungskabels und des Leitkabels

6. Ladestation
7. Griff
8. Akku-Abdeckung
9. Klingenteller
10. Gleitplatte
11. Chassisgehäuse mit Elektronik, Akku und Motoren
12. Hauptschalter
13. Hinterrad
14. Vorderrad
15. Tastatur
16. Display
17. Begrenzungskabel
18. Begrenzungskabel-Stecker
19. Schraubendreher
20. Schraubendreher
21. Schrauben
22. Schraube
23. Bedienungsanleitung
24. Maßstab
25. Fernbedienung
26. Begrenzungskabel
27. PIN CODE
28. Ladestation

- |   |  |
|---|--|
| 14. Ladeplatten                                       | 23. Bedienungsanleitung und Kurzanleitung  |
| 15. Tastatur  | 24. Lineal für die Installation des Begrenzungskabels (das Lineal wird an der Perforationslinie aus dem Karton herausgelöst) |
| 16. Display   | 25. Netzteil (Aussehen kann je nach Markt variieren)   |
| 17. Schleifenkabel für Begrenzungskabel und Leitkabel | 26. Niederspannungskabel   |
| 18. Verbinder für das Schleifenkabel                  | 27. Alarm-Aufkleber  |
| 19. Haken   | 28. Typenschild (inkl. Geräteidentifikationscode)  |
| 20. Verbinder für das Schleifenkabel                  |  |
| 21. Schrauben zum Befestigen der Ladestation          |  |
| 22. Klingen   |  |

## 12.8 Geräteübersicht Automower® 305



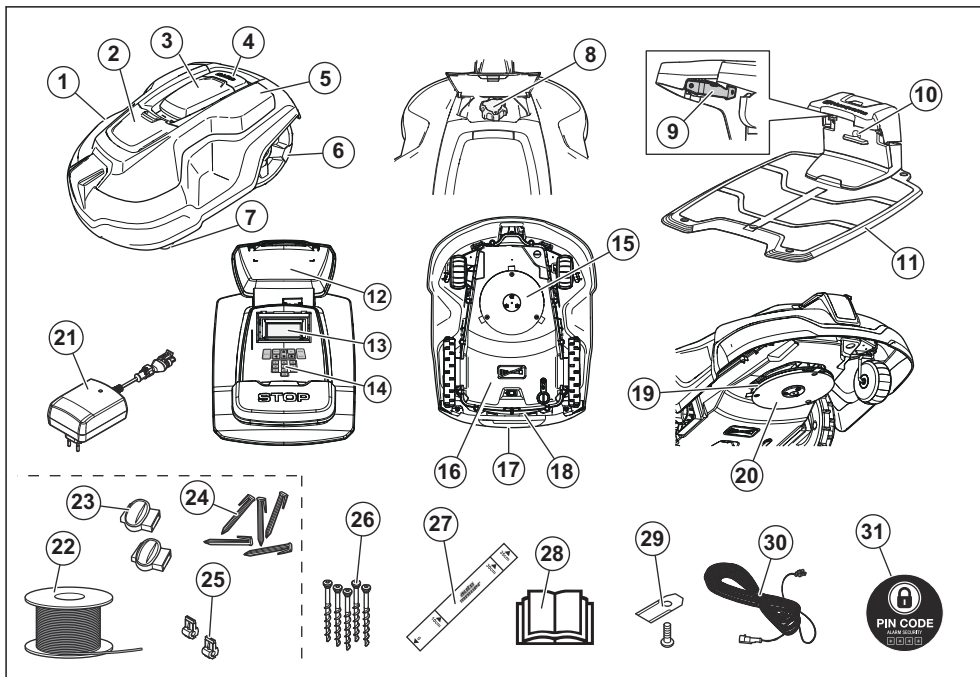
Die Zahlen in der Darstellung stehen für:

- |  |  |
|--|--|
| 1. Gehäuse   | 7. Gleitplatte   |
| 2. Abdeckung für Tastatur, Display und Schnitthöheinstellung | 8. Kontaktbleche   |
| 3. Stoptaste   | 9. LED für Funktionsprüfung von Ladestation und Begrenzungskabel |
| 4. Hinterräder   | 10. Ladestation  |
| 5. Vorderräder   | 11. Display  |
| 6. Klingenteller   | 12. Tastatur   |
|  | 13. Taste EIN/AUS  |



14. Typenschild (inkl. Geräteidentifikationscode)
15. Schnitthöheneinstellung
16. Wartungswerkzeug
17. Schneidsystem
18. Chassisgehäuse mit Elektronik, Akku und Motoren
19. Griff
20. Schleifenkabel für Begrenzungskabel und Leitkabel <sup>22</sup>
21. Verbinder für das Schleifenkabel <sup>23</sup>
22. Haken <sup>24</sup>
23. Verbinder für das Schleifenkabel <sup>25</sup>
24. Schrauben zum Befestigen der Ladestation
25. Netzteil (Aussehen kann je nach Markt variieren)
26. Lineal für die Installation des Begrenzungskabels (das Lineal wird an der Perforationslinie aus dem Karton herausgelöst)
27. Bedienungsanleitung und Kurzanleitung
28. Zusätzliche Klingen
29. Niederspannungskabel
30. Alarm-Aufkleber

## 12.9 Geräteübersicht Automower® 310/315/315X



Die Zahlen in der Darstellung stehen für:

1. Gehäuse

2. Abdeckung für Schnitthöheneinstellung

3. Abdeckung für Display und Tastatur

<sup>22</sup> Teil des Installations-Kits, das separat erhältlich ist.

<sup>23</sup> Teil des Installations-Kits, das separat erhältlich ist.

<sup>24</sup> Teil des Installations-Kits, das separat erhältlich ist.

<sup>25</sup> Teil des Installations-Kits, das separat erhältlich ist.

4. Stoptaste
5. Abnehmbare Abdeckung
6. Hinterräder
7. Vorderräder
8. Schnitthöheneinstellung
9. Kontaktbleche
10. LED für Funktionsprüfung von Ladestation und Begrenzungskabel
11. Ladestation
12. Typenschild (inkl. Geräteidentifikationscode)
13. Display
14. Tastatur
15. Schneidsystem
16. Chassisgehäuse mit Elektronik, Akku und Motoren
17. Griff
18. Hauptschalter
19. Klingenteller
20. Gleitplatte
21. Netzteil (Aussehen kann je nach Markt variieren)
22. Schleifenkabel für Begrenzungskabel und Leitkabel <sup>26</sup>
23. Verbinder für das Schleifenkabel <sup>27</sup>
24. Haken <sup>28</sup>
25. Verbinder für das Schleifenkabel <sup>29</sup>
26. Schrauben zum Befestigen der Ladestation
27. Lineal für die Installation des Begrenzungskabels (das Lineal wird an der Perforationslinie aus dem Karton herausgelöst)
28. Bedienungsanleitung und Kurzanleitung
29. Zusätzliche Klingen
30. Niederspannungskabel
31. Alarm-Aufkleber

---

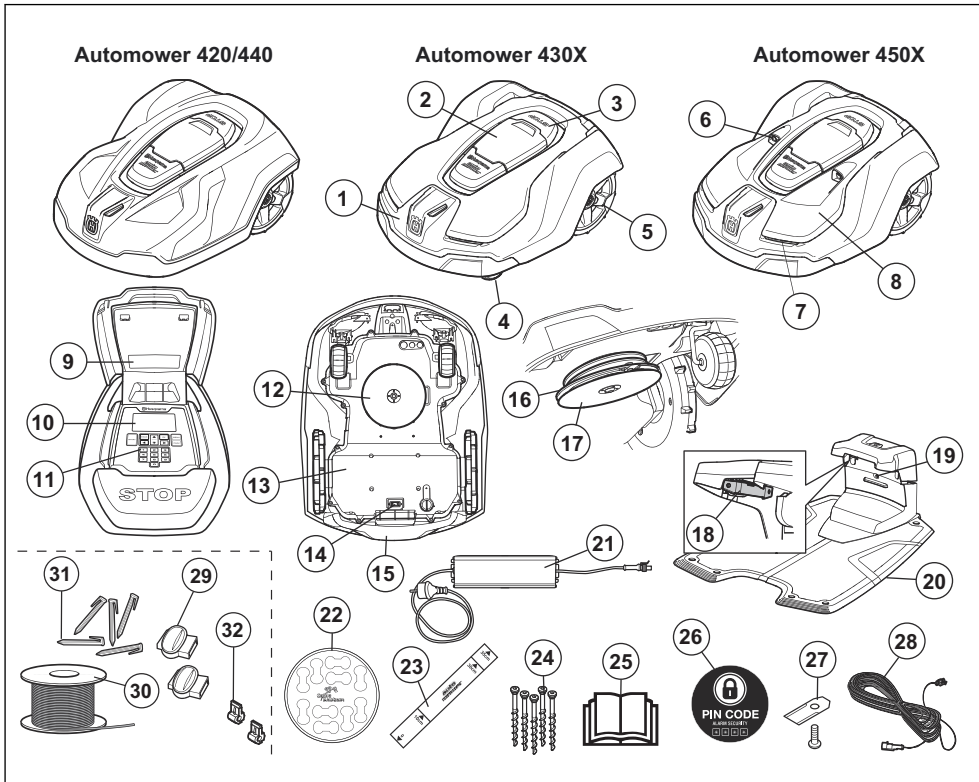
<sup>26</sup> Teil des Installations-Kits, das separat erhältlich ist.

<sup>27</sup> Teil des Installations-Kits, das separat erhältlich ist.

<sup>28</sup> Teil des Installations-Kits, das separat erhältlich ist.

<sup>29</sup> Teil des Installations-Kits, das separat erhältlich ist.

## 12.10 Geräteübersicht Automower® 420/430X/440/450X



Die Zahlen in der Darstellung stehen für:

- |   |  |
|---|--|
| 1. Gehäuse  | 14. Hauptschalter  |
| 2. Abdeckung für Display und Tastatur               | 15. Griff  |
| 3. Stoptaste  | 16. Klingenteller  |
| 4. Vorderräder                                      | 17. Gleitplatte  |
| 5. Hinterräder                                      | 18. Kontaktbleche  |
| 6. Ultraschallsensoren                              | 19. LED für Funktionsprüfung von Ladestation und Begrenzungskabel  |
| 7. Scheinwerfer                                     | 20. Ladestation  |
| 8. Abnehmbare Abdeckung                             | 21. Netzteil (Aussehen kann je nach Markt variieren)   |
| 9. Typenschild (inkl. Geräteidentifikationscode)    | 22. Kabelmarkierungen  |
| 10. Display   | 23. Lineal für die Installation des Begrenzungskabels (das Lineal wird an der Perforationslinie aus dem Karton herausgelöst) |
| 11. Tastatur  | 24. Schrauben zum Befestigen der Ladestation   |
| 12. Schneidsystem                                   |  |
| 13. Chassisgehäuse mit Elektronik, Akku und Motoren |  |

- 25. Bedienungsanleitung und Kurzanleitung
- 26. Alarm-Aufkleber
- 27. Zusätzliche Klingen
- 28. Niederspannungskabel
- 29. Verbinder für das Schleifenkabel <sup>30</sup>
- 30. Schleifenkabel für Begrenzungskabel und Leitkabel <sup>31</sup>
- 31. Haken <sup>32</sup>
- 32. Verbinder für das Schleifenkabel <sup>33</sup>

## 12.11 Symbole auf dem Gerät

Diese Symbole befinden sich auf dem Gerät. Lesen Sie sich die entsprechenden Anweisungen sorgfältig durch.



**WARNUNG:** Lesen Sie die Gebrauchsanweisung, bevor Sie das Gerät in Betrieb nehmen.



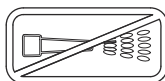
**WARNUNG:** Deaktivieren Sie das Gerät, bevor Sie daran arbeiten oder es anheben.



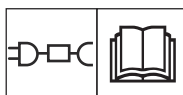
**WARNUNG:** Halten Sie einen sicheren Abstand zum Gerät, wenn es in Betrieb ist. Halten Sie Hände und Füße von den rotierenden Klingen fern.



**WARNUNG:** Setzen oder stellen Sie sich nicht auf das Gerät. Halten Sie mit Ihren Händen und Füßen stets einen sicheren Abstand zum Gerät.



Reinigen Sie das Gerät weder mit einem Hochdruckreiniger noch unter fließendem Wasser.



Verwenden Sie ein abnehmbares Netzteil wie auf dem Gerätetypenschild neben dem Symbol angegeben.



Dieses Gerät erfüllt die geltenden CE-Richtlinien.



Lärmemission. Die Lärmemissionen des Geräts werden unter *Technische Angaben auf Seite 64* und auf dem Typenschild angegeben.

<sup>30</sup> Teil des Installations-Kits, das separat erhältlich ist.

<sup>31</sup> Teil des Installations-Kits, das separat erhältlich ist.

<sup>32</sup> Teil des Installations-Kits, das separat erhältlich ist.

<sup>33</sup> Teil des Installations-Kits, das separat erhältlich ist.



Es ist nicht zulässig, dieses Gerät über den normalen Hausmüll zu entsorgen. Stellen Sie sicher, dass das Gerät in Übereinstimmung mit den örtlich geltenden Regelungen entsorgt wird.



Das Chassis enthält Bauteile, die empfindlich gegenüber elektrostatischer Entladung (electrostatic discharge = ESD) sind. Das Chassis muss fachmännisch neu versiegelt werden. Aus diesen Gründen sollte das Chassis ausschließlich von autorisierten Servicetechnikern geöffnet werden. Eine beschädigte Versiegelung kann zu teilweisem oder vollständigem Erlöschen der Garantie führen.



Das Niederspannungskabel darf weder gekürzt, verlängert noch gespleißt werden.

Verwenden Sie keinen Trimmer in der Nähe des Niederspannungskabels. Gehen Sie beim Trimmen von Kanten, in

deren Nähe sich die Kabel befinden, vorsichtig vor.

## 12.12 Symbole am Akku



Lesen Sie die Gebrauchsanweisung.



Werfen Sie den Akku nicht ins Feuer und setzen Sie ihn keiner Wärmequelle aus.



Tauchen Sie den Akku nicht in Wasser.

## 12.13 Allgemeine Hinweise

Um das Lesen der Bedienungsanleitung zu erleichtern, wird der Text folgendermaßen dargestellt:

- Texte, die *kursiv* dargestellt sind, werden entweder auf dem Display des Geräts angezeigt oder es sind Verweise auf einen anderen Abschnitt in der Bedienungsanleitung.
- **Fett** gedruckter Text steht für die Tasten der Tastatur des Geräts.
- Text in *GROSSBUCHSTABEN* und *kursiver* Schrift gibt die verschiedenen für das Gerät verfügbaren Betriebsmodi an.

---

# 13 Sicherheit

---

## 13.1 Sicherheitsdefinitionen

Warnungen, Vorsichtsmaßnahmen und Hinweise werden verwendet, um auf besonders wichtige Teile der Bedienungsanleitung hinzuweisen.



**WARNUNG:** Wird verwendet, wenn bei Nichtbeachtung der Anweisungen in diesem Handbuch die Gefahr von Verletzung oder Tod

des Bedieners oder anderer Personen besteht.



**ACHTUNG:** Wird verwendet, wenn bei Nichtbeachtung der Anweisungen in diesem Handbuch die Gefahr von Schäden am Gerät, an anderen Materialien oder in der Umgebung besteht.

---

**Hinweis:** Für weitere Informationen, die in bestimmten Situationen nötig sind.

---

## **13.1.1 WICHTIG. VOR GEBRAUCH SORGFÄLTIG DURCHLESEN. ZUM SPÄTEREN NACHSCHLAGEN AUFBEWAHREN**

Der Bediener ist für Unfälle und Gefahren verantwortlich, die an anderen Personen oder deren Eigentum entstehen.

Der Gebrauch des Geräts durch Personen (einschließlich Kindern), die über eingeschränkte körperliche, sensorische oder geistige Fähigkeiten verfügen (und somit kein sicherer Umgang mit dem Gerät gewährleistet werden kann) oder denen es an der erforderlichen Erfahrung und Kenntnis mangelt, ist untersagt, sofern sie nicht von einer für ihre Sicherheit verantwortlichen Person bei der Arbeit überwacht oder im Gebrauch des Geräts zuvor geschult wurden.

Dieses Gerät kann von Kindern ab 8 Jahren sowie von Personen mit eingeschränkten physischen, sensorischen oder psychischen Fähigkeiten bzw. Personen ohne jegliche Erfahrung oder Kenntnisse verwendet werden, wenn sie beaufsichtigt werden oder ihnen die sichere Verwendung des Geräts ausführlich erklärt wurde und sie sich der Gefahren bewusst sind. Unter Umständen gelten gesetzlich vorgeschriebene Altersbeschränkungen für den Bediener. Reinigung und Wartung dürfen von Kindern nicht ohne Aufsicht durchgeführt werden.

Schließen Sie das Netzteil niemals an eine Steckdose an, wenn Stecker oder Kabel beschädigt sind. Abgenutzte oder beschädigte Kabel erhöhen das Risiko eines elektrischen Schlags.

Laden Sie die Batterie nur in der mitgelieferten Ladestation auf. Eine inkorrekte Verwendung kann zu elektrischen Schlägen, Überhitzung oder Austreten von ätzender Flüssigkeit aus der Batterie führen. Spülen Sie bei Austritt von Elektrolyt mit Wasser/ Neutralisationsmittel. Suchen Sie bei Kontakt mit den Augen umgehend einen Arzt auf.

Verwenden Sie nur vom Hersteller empfohlene Originalakkus. Die Gerätesicherheit kann nur bei der Verwendung von Originalakkus gewährleistet werden. Verwenden Sie keine nicht wiederaufladbaren Akkus.

Das Gerät muss bei der Akkuentnahme vom Stromnetz getrennt sein.



**WARNUNG:** Das Gerät kann bei unsachgemäßem Gebrauch eine Gefahr darstellen.



**WARNUNG:** Benutzen Sie das Gerät nicht, wenn sich Personen, insbesondere Kinder oder Tiere, im Arbeitsbereich befinden.



**WARNUNG:** Halten Sie Hände und Füße von den rotierenden Klingen fern. Halten Sie mit Ihren Händen und Füßen stets einen sicheren Abstand zum Gerät, solange es in Betrieb ist.

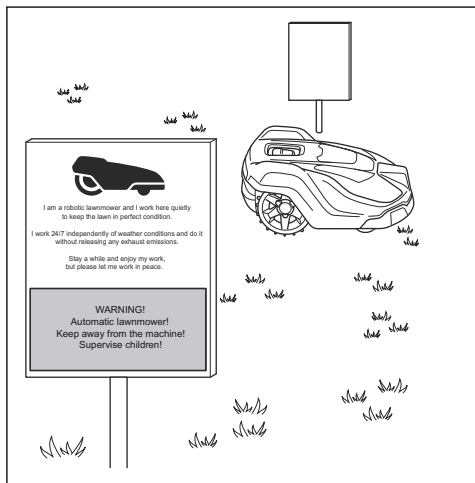


**WARNUNG:** Suchen Sie im Falle einer Verletzung

oder eines Unfalls einen Arzt auf.

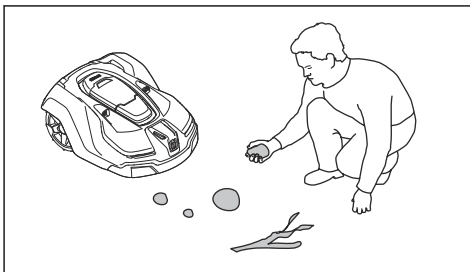
### 13.2 Verwendung

- Das Gerät darf nur mit der vom Hersteller empfohlenen Ausstattung verwendet werden. Andere Verwendungsarten sind nicht zulässig. Die Anweisungen des Herstellers hinsichtlich Betrieb, Wartung und Reparatur sind genau einzuhalten.
- Bei Nutzung des Geräts im öffentlichen Bereich müssen Warnschilder um den Arbeitsbereich angebracht werden. Diese Schilder müssen mit folgendem Text versehen sein: **Warnung! Automatischer Rasenmäher! Halten Sie sich vom Gerät fern! Kinder müssen beaufsichtigt werden!**





- Verwenden Sie die **PARK**-Funktion oder schalten Sie das Gerät aus, wenn sich Personen, insbesondere Kinder oder Tiere, in der Nähe des Arbeitsbereichs befinden. Es wird empfohlen, das Gerät für den Betrieb in den Zeiten zu programmieren, in denen in dem Bereich keine Aktivitäten stattfinden, z. B. in der Nacht. Beachten Sie, dass bestimmte Tierarten, z. B. Igel, nachtaktiv sind. Sie können möglicherweise durch das Gerät verletzt werden.
- Das Gerät darf nur von Personen betrieben, gewartet und repariert werden, die mit dessen Eigenschaften und den beim Gebrauch einzuhaltenden Sicherheitsvorschriften bestens vertraut sind. Lesen Sie die Betriebsanleitung sorgfältig durch, und machen Sie sich mit dem Inhalt vertraut, bevor Sie das Gerät benutzen.
- Es ist nicht gestattet, das Originaldesign des Geräts zu verändern. Alle diesbezüglichen Veränderungen erfolgen auf eigene Gefahr.
- Stellen Sie sicher, dass sich keine Fremdkörper wie Steine, Äste, Werkzeug oder Spielzeug auf dem Rasen befinden. Die Klingen können beim Zusammenstoß mit Fremdkörpern beschädigt werden. Schalten Sie das Gerät immer mit dem **Hauptschalter** oder der Taste **ON/OFF** aus, bevor Sie eine Blockierung entfernen. Prüfen Sie das Gerät auf Schäden, bevor Sie es wieder in Betrieb nehmen.



- Falls das Gerät beginnt, ungewöhnlich zu vibrieren. Schalten Sie das Gerät stets

mittels des **Hauptschalters** oder der Taste **ON/OFF** aus und prüfen Sie es auf Schäden, bevor Sie es wieder in Betrieb nehmen.

- Starten Sie das Gerät gemäß den Anweisungen. Wenn das Gerät mit der Taste **ON/OFF** aktiviert ist oder wenn der **Hauptschalter** auf **1** gestellt ist, halten Sie Hände und Füße von den rotierenden Messern fern. Halten Sie Ihre Hände und Füße von der Unterseite des Geräts fern.
- Berühren Sie niemals bewegliche gefährliche Bauteile, wie z. B. den Klingenteller, bevor diese vollständig zum Stillstand gekommen sind.
- Heben Sie das Gerät nicht hoch und tragen Sie es nicht herum, wenn es eingeschaltet ist.
- Das Gerät darf nicht mit Personen oder anderen Lebewesen kollidieren. Wenn eine Person oder ein anderes Lebewesen in den Fahrweg des Geräts gelangt, muss es sofort angehalten werden.
- Legen Sie keine Gegenstände auf Gehäuse oder Ladestation des Geräts.
- Das Gerät darf nicht mit beschädigtem Schutz, Klingenteller oder Gehäuse betrieben werden. Darüber hinaus darf es auch nicht mit beschädigten Klingen, Schrauben oder Kabeln betrieben werden. Schließen Sie keine beschädigten Kabel an und berühren Sie sie nicht, bevor sie von der Stromversorgung getrennt wurden.
- Verwenden Sie das Gerät nicht, wenn der **Hauptschalter** oder die Taste **ON/OFF** nicht funktioniert.
- Schalten Sie das Gerät immer über den **Hauptschalter** oder die Taste **ON/OFF** aus, wenn es nicht verwendet wird. Das Gerät kann nur gestartet werden, wenn **der Hauptschalter** auf **1** gestellt oder die Taste **ON/OFF** eingeschaltet ist und die Anzeigeleuchte leuchtet. Der korrekte PIN-Code muss ebenfalls eingegeben werden, damit das Gerät gestartet werden kann.

- Das Gerät darf nicht gleichzeitig mit einem Rasensprenger eingesetzt werden. Benutzen Sie die *Zeitplan*-Funktion, damit Rasensprenger und Gerät nicht gleichzeitig in Betrieb sind.
- Husqvarna übernimmt keine Garantie für die vollständige Kompatibilität zwischen dem Gerät und anderen kabellosen Systemen wie Fernbedienungen, Sendern, im Boden verlegten elektrischen Umzäunungen von Viehweiden o. ä.
- Der integrierte Alarm ist sehr laut. Seien Sie vorsichtig, insbesondere wenn das Gerät im Innenbereich verwendet wird.
- Metallische Gegenstände im Boden (z. B. Stahlbeton oder Anti-Maulwurfnetze) können zum Anhalten des Mähers führen. Die metallischen Gegenstände können eine Interferenz mit dem Schleifensignal verursachen, was zum Anhalten des Mähers führen kann.
- Betriebs- und Lagertemperatur sind 0-50 °C / 32-122 °F. Temperaturbereich zum

Laden ist 0-45 °C / 32-113 °F. Zu hohe Temperaturen können zu Schäden am Gerät führen.

### 13.3 Sicherheit im Umgang mit Akku



**WARNUNG:** Lithium-Ionen-Akkus können explodieren oder Feuer verursachen, wenn sie demontiert, kurzgeschlossen oder Wasser, Feuer oder hohen Temperaturen ausgesetzt werden. Gehen Sie vorsichtig vor, öffnen Sie den Akku nicht und setzen Sie ihn keinen elektrischen/mechanischen Belastungen aus. Vermeiden Sie die Lagerung der Batterien bei direkter Sonneneinstrahlung.

Weitere Informationen zum Akku finden Sie unter: *Akku auf Seite 59*

## 14 Installation

### 14.1 Anschließen des Netzteils

Beachten Sie beim Platzieren des Netzteils folgende Faktoren:

- Nahe der Ladestation
- Vor Regen geschützt
- Keine direkte Sonneneinstrahlung



**WARNUNG:** Das Gerät darf nur mit einem Netzteil von Husqvarna betrieben werden.

Verbinden Sie das Netzteil nur mit Steckdosen, die mit einem Erdschlusstrennschalter (RCD) ausgestattet sind.



**WARNUNG:** Es besteht die Gefahr von elektrischen Schlägen. Verwenden Sie beim Anschluss des Netzteils an die Steckdose einen Erdschlusstrennschalter (RCD). Für

USA/KANADA: Verwenden Sie Steckdosen der Klasse A mit FI-Schutz (RCD) und mit einem Gehäuse, das sowohl mit eingesetzter als auch entfernter Verschlusskappe wetterfest ist.



**WARNUNG:** Komponenten des Netzteils dürfen nicht verändert oder manipuliert werden. Das Niederspannungskabel darf weder gekürzt noch verlängert werden.

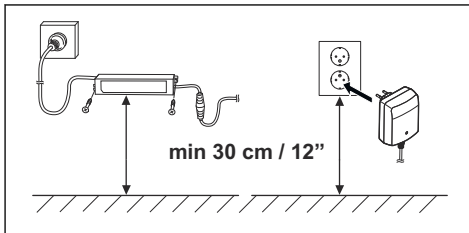
Niederspannungskabel unterschiedlicher Längen sind als Zubehör erhältlich.



**WARNUNG:** Netzkabel und Verlängerungskabel müssen sich außerhalb des Arbeitsbereichs befinden, damit sie nicht zu Schaden kommen.



**WARNUNG:** Das Netzteil darf keinesfalls in einer Höhe montiert werden, bei der es in Wasser getaucht werden könnte (Mindesthöhe 30 cm (12 Zoll) vom Boden). Das Netzteil darf nicht auf dem Boden platziert werden.



**WARNUNG:** Trennen Sie die Ladestation über den Stecker, bevor Sie z. B. Reinigungsarbeiten vornehmen oder das Schleifenkabel reparieren.



**WARNUNG:** Passen Sie die Schnitthöhe entsprechend an und verlegen Sie das Niederspannungskabel so, dass die Messer am Messerteller dieses nicht berühren können.



**WARNUNG:** Um das Risiko der Beschädigung von elektrischen Komponenten zu verringern, trennen Sie bei Gewittergefahr alle Verbindungen zur Ladestation (Stromversorgung, Begrenzungskabel und Leitkabel).



**WARNUNG:** Bedecken Sie das Netzteil nicht. Kondenswasser kann dem Netzteil schaden und das Risiko eines Stromschlags erhöhen.

Weitere Hinweise zur korrekten Installation finden Sie im Kapitel *Installation* in der

vollständigen Bedienungsanleitung auf der Website [www.husqvarna.com](http://www.husqvarna.com) von Husqvarna.

## 14.2 Bedienfeld

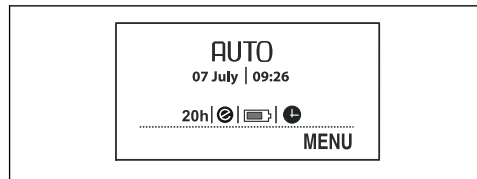
Alle Befehle und Einstellungen für das Gerät erfolgen über das Bedienfeld. Alle Funktionen sind über eine Reihe von Menüs zugänglich.

Das Bedienfeld besteht aus einem Display und einer Tastatur. Alle Informationen werden auf dem Display angezeigt und alle Eingaben erfolgen über die Tasten.

**Hinweis:** Die Texte auf dem Display werden in der Bedienungsanleitung in Englisch, auf der Anzeige des Geräts jedoch in der ausgewählten Sprache angezeigt.

## 14.3 Display Automower® 105

Wenn die **STOP**-Taste gedrückt und die Abdeckung geöffnet wurde, erscheint das Bedienfenster. Uhrzeit, ausgewählter Betriebsmodus, Anzahl der Mähstunden und Akkustatus werden angezeigt.

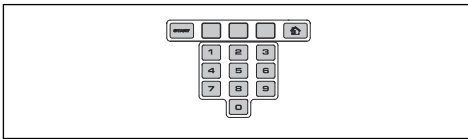


- Die Uhrzeit entspricht der aktuellen Zeit.
- Das Datum zeigt den aktuellen Tag an.
- Die Anzahl der Betriebsstunden gibt die Anzahl der Stunden an, die das Gerät seit dem Herstellungstag in Betrieb gewesen ist. Die Zeit, die das Gerät mit Mähen oder Suchen nach der Ladestation verbracht hat, wird als Betriebszeit angerechnet.
- *AUTO*, *MAN* oder *HOME* zeigt den ausgewählten Betriebsmodus an.
- Der Akkustatus zeigt die verbleibende Akkuladung an.
- Das ECO-Symbol wird angezeigt, wenn sich das Gerät im *ECO-Modus* befindet.

- Das Uhrensymbol wird angezeigt, wenn der Timer aktiviert ist. Das Uhrensymbol ist schwarz, wenn das Gerät aufgrund der Timer-Einstellung nicht mähen darf.
- Der Text *MENÜ* bedeutet, dass das Hauptmenü durch Drücken der **Auswahl**taste unter dem Text aufgerufen werden kann.

#### 14.4 Bedienfeld Automower® 105

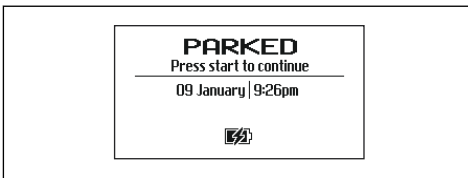
Die Tastatur besteht aus vier Tastenblöcken:



- Mit der **START**-Taste wird das Gerät eingeschaltet. Dies ist normalerweise die letzte Taste, die vor dem Schließen der Abdeckung zu drücken ist.
- Die drei **Auswahl**tasten bieten verschiedene Funktionen, die auch davon abhängen, wo Sie sich in der Menüstruktur befinden.
- Über die **Zahlentasten** können beispielsweise der PIN-Code oder die Zeiteinstellungen eingegeben werden.
- Die Taste zur **Auswahl des Betriebs** ist durch ein Haus gekennzeichnet. Durch Drücken der Taste wird der ausgewählte Betriebsmodus im Display angezeigt.

#### 14.5 Display Automower® 305/310/315/315X/420/430X/440/450X

Wenn die Taste **STOP** gedrückt wurde und die Abdeckung offen ist, wird folgende Information angezeigt:



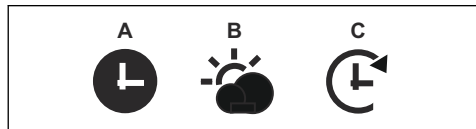
- Betriebsinformationen, z. B. *BEREIT*, *MÄHEN*, *GEPARKT* oder *ZEITPLAN*.

Beindet sich das Gerät nicht in einem bestimmten Betriebsmodus, z. B. wenn das Gerät gerade eingeschaltet wurde, wird *BEREIT* angezeigt. Wird die Taste **STOP** gedrückt, zeigt das Gerät an, welche Aufgabe es vorher ausgeführt hat, z. B. *MÄHEN* oder *SUCHEN*.

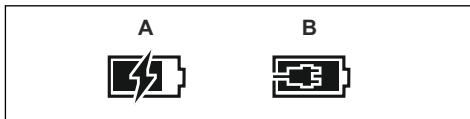
- Datum und Uhrzeit entsprechen der aktuellen Zeit.
- Für Automower® 315X/430X/450X: Das Satellitensymbol wird angezeigt, wenn die GPS-unterstützte Navigation aktiviert ist. Symbol (A) wird angezeigt, wenn eine Verbindung mit einer ausreichenden Anzahl an GPS-Satelliten hergestellt wurde. Symbol (B) wird angezeigt, wenn keine Verbindung mit einer ausreichenden Anzahl an GPS-Satelliten hergestellt wurde. Symbol (A) blinkt während der ersten Tage, an denen das Gerät in Betrieb ist, da GPS-Daten zur Installation erfasst werden.



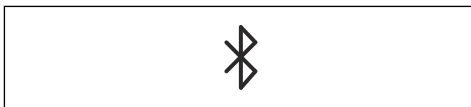
- Das ECO-Symbol wird angezeigt, wenn sich das Gerät im *ECO-Modus* befindet.
- Das schwarze Uhrensymbol (A) wird angezeigt, wenn das Gerät aufgrund der *Zeitplan*-Einstellung nicht mähen darf. Wenn das Gerät aufgrund des *Wetter-Timers* nicht mähen darf, wird Symbol (B) angezeigt. Wenn der Betriebsmodus *Zeitplan aus* ausgewählt wurde, wird das Symbol (C) angezeigt.



- Der Akkustatus zeigt die verbleibende Ladung an. Während das Gerät aufgeladen wird, wird zudem über dem Akkusymbol (A) ein Blitz angezeigt. Wenn das Gerät in der Ladestation platziert wird, ohne aufgeladen zu werden, wird (B) angezeigt.

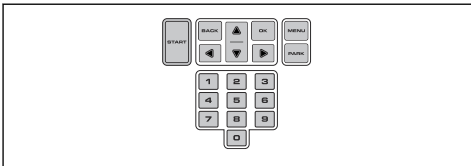


- Die Höheneinstellung wird als Skala/ numerischer Wert angezeigt.
- Für Automower® Connect@Home (siehe *Automower® Connect@Home auf Seite 57*): Ein Symbol für die Bluetooth®- Drahtlosverbindung erscheint auf dem Display des Geräts, wenn eine Verbindung mit Ihrem Mobilgerät hergestellt wurde.



## 14.6 Tastatur Automower® 305/310/315/315X/420/430X/440/450X

Die Tastatur besteht aus sechs Tastenblöcken:

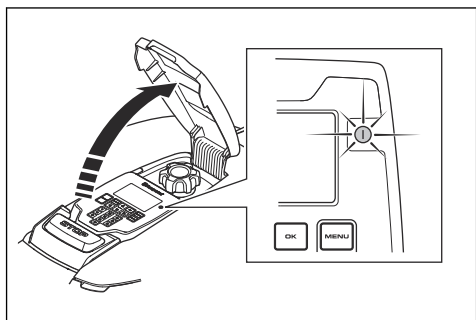


- Mit der **START**-Taste wird das Gerät eingeschaltet. Dies ist normalerweise die letzte Taste, die vor dem Schließen der Abdeckung zu drücken ist.
- Die **ZURÜCK**- und **OK**-Tasten dienen der Menüsteuerung. Mit der **OK**-Taste werden auch Einstellungen bestätigt.
- Die **Pfeiltasten** dienen der Menünavigation und der Auswahl bei bestimmten Einstellungsmöglichkeiten.
- Mit der **MENÜ**-Taste wechselt man zum Hauptmenü.
- Mit der **PARK**-Taste wird das Gerät zur Ladestation geschickt.
- Mit den **Zahlentasten** können Sie Einstellungen vornehmen, wie z. B. PIN-Code, Zeiteinstellungen oder die Fahrtrichtung aus der Ladestation heraus.

## 14.7 Die Anzeigeleuchte Automower® 305

Die Anzeigeleuchte an der Taste **EIN/AUS** dient als wichtige Statusanzeige:

- Das Gerät ist aktiv, wenn die Anzeigeleuchte konstant leuchtet.
- Das Gerät befindet sich im Stand-by-Modus, wenn die Anzeigeleuchte blinkt. Dies bedeutet, dass der Bediener auf die Taste **EIN/AUS** drücken muss, um das Gerät wieder zu aktivieren.
- Das Gerät ist deaktiviert, wenn die Anzeigeleuchte nicht leuchtet.



**WARNUNG:** Inspektions- oder Instandhaltungsarbeiten am Gerät sind nur sicher ausführbar, wenn das Gerät deaktiviert ist. Das Gerät ist deaktiviert, wenn die Lampe an der Taste **EIN/AUS** nicht leuchtet.

## 14.8 Menüstruktur

Das Hauptmenü für den Automower® 105 umfasst vier Optionen. Automower® 310 verfügt über sechs und Automower® 305/315/315X über sieben Optionen. Das Hauptmenü für den Automower® 420/430X/440/450X umfasst acht Optionen.

## 14.9 Untermenüs

Unter jeder Option gibt es darüber hinaus noch eine Reihe von Untermenüs. Über die Untermenüs können Sie alle Funktionen für das Gerät aufrufen und einstellen.

Bestimmte Untermenüs enthalten Optionen, die links mit einem Häkchen versehen sind. Dies bedeutet, dass diese Optionen ausgewählt sind. Drücken Sie **OK**, um das Kästchen zu aktivieren/deaktivieren.

## 14.10 Zwischen den Menüs blättern

Blättern Sie mit den **Auswahltasten** (Automower® 105) oder **Pfeiltasten** (Automower® 305/310/315/315X/420/430X/440/450X) durch das Hauptmenü und die Untermenüs. Geben Sie mit den **Zahlentasten** Werte und Uhrzeiten ein und bestätigen Sie jede Auswahl mit der **Auswahltaste OK**. Drücken Sie **ZURÜCK**, um zur höheren Menüebene zu wechseln, oder halten Sie die Taste **HOME** (Automower® 105) bzw. **MENU** (Automower® 305/310/315/315X/420/430X/440/450X) 2 Sekunden lang gedrückt, um direkt zum Hauptmenü zurück zu wechseln.

## 14.11 Hauptmenü



### *Zeitplan*

Um ein optimales Mähergebnis zu erzielen, sollte der Rasen nicht zu oft gemäht werden. Infolgedessen ist es wichtig, die Betriebszeit mit der *Zeitplan*-Funktion zu begrenzen, wenn der Umfang des Arbeitsbereichs geringer als die Arbeitskapazität des Geräts ist. Die *Zeitplan*-Funktion ist darüber hinaus eine gute Möglichkeit zu steuern, zu welchen Zeiten das Gerät nicht mähen sollte, z. B. wenn Kinder auf dem Rasen spielen.



### *Schnitthöhe*

Gültig für Automower® 420/430X/440/450X

Die Schnitthöhe kann zwischen MIN (1) und MAX (9) eingestellt werden. In der ersten Woche nach einer Neuinstallation muss die Schnitthöhe auf MAX eingestellt werden, damit das Schleifenkabel

nicht beschädigt wird. Danach kann die Schnitthöhe schrittweise jede Woche gesenkt werden, bis die gewünschte Schnitthöhe erreicht ist.



### *Sicherheit*

In diesem Menü können Einstellungen bezüglich der Sicherheit und der Verbindung zwischen dem Gerät und der Ladestation vorgenommen werden. Es stehen drei Sicherheitsebenen zur Auswahl: *Niedrig*, *Mittel* und *Hoch*.



### *Meldungen*

Gültig für Automower® 305/310/315/315X/420/430X/440/450X

In diesem Menü können historische Fehler- und Informationsmeldungen angesehen werden. Für einige der häufigsten Fehlermeldungen finden Sie hier Hilfe und Tipps, um Fehler zu beheben.



### *Wetter-Timer*

Gültig für Automower® 305/315/315X/420/430X/440/450X

Mit dieser Funktion kann das Gerät seine Schneidezeiten automatisch auf Grundlage der Wachstumsstärke des Rasens einstellen. Wenn das Wetter das Graswachstum begünstigt, wird häufiger gemäht, wenn das Wachstum langsam ist, wird automatisch weniger gemäht.



### *Installation*

Über diese Menüfunktion kann die Installation angepasst werden. Bei

vielen Arbeitsbereichen müssen die Werkseinstellungen nicht geändert werden. Jedoch kann, je nach Beschaffenheit des Rasens, durch manuelles Ändern der Einstellung ein besseres Mähresultat erzielt werden.



### Einstellungen

Hier können Sie Änderungen an den allgemeinen Einstellungen des Geräts, wie zum Beispiel Datum und Zeit, vornehmen. Sie können ebenfalls den *ECO-Modus* und *Spiralschnitt* ein- oder ausschalten oder Ihre Einstellungen in verschiedenen *Profilen* speichern (nur Automower® 305/315/315X/420/430X/440/450X). Husqvarna empfiehlt, den *ECO-Modus*

eingeschaltet zu lassen, um Energie zu sparen und Störungen mit anderen Geräten zu vermeiden.



### Zubehör

Gültig für Automower®  
305/310/315/315X/420/430X/  
440/450X

In diesem Menü werden die Einstellungen für Geräte-Zubehör vorgenommen, zum Beispiel für Automower® Connect oder Automower® Connect@Home. Wenden Sie sich an Ihren Husqvarna Händler vor Ort, wenn Sie Informationen darüber benötigen, welches Zubehör für Ihr Gerät verfügbar ist.

---

## 15 Betrieb

---

### 15.1 So schalten Sie das Gerät ein und aus bzw. stoppen es

- Das Gerät kann nur gestartet werden, wenn es eingeschaltet ist und der korrekte PIN-Code eingegeben wurde. Zum Einschalten des Automower® 305 drücken Sie die Taste **EIN/AUS** 3 Sekunden lang und prüfen Sie, ob die Anzeigeleuchte leuchtet. Zum Aktivieren aller anderen Modelle stellen Sie den **Hauptschalter** auf *1*.
- Um das Gerät zu stoppen, drücken Sie die **STOP**-Taste oben am Gerät. Das Gerät hält an, und der Klingenmotor kommt zum Stillstand.
- Zum Ausschalten des Automower® 305 drücken Sie die Taste **EIN/AUS** drei Sekunden lang und prüfen Sie, dass die Anzeigeleuchte nicht leuchtet. Zum Ausschalten aller anderen Modelle stellen Sie den Hauptschalter auf *0*.

### 15.2 Betriebsmodus Automower® 105

Drücken Sie die Taste zur **Auswahl des Betriebsmodus** 1 bis 3 Mal, um einen Betriebsmodus auszuwählen. Sie können zwischen 3 verschiedenen Betriebsmodi wechseln.

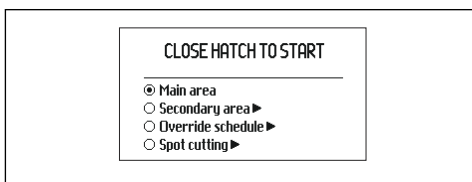
- *HOME*. Schickt das Gerät zur Ladestation. Hier bleibt das Gerät, bis ein anderer Betriebsmodus ausgewählt wird. Wenn der Akku vollständig geladen ist, wird das Gerät die Ladestation erst dann verlassen und mit dem Mähen beginnen, wenn der Betriebsmodus auf *AUTO* geändert wird.
- *AUTO*. Der standardmäßige automatische Betriebsmodus, in dem das Gerät automatisch mäht und auflädt.
- *MAN*. Für das Mähen von Nebenbereichen muss die Einstellung *MAN* ausgewählt werden. Ist *MAN* ausgewählt und das Gerät wird gestartet, wenn es sich auf dem Rasen befindet, mäht es, bis der Akku leer ist. Dann

stoppt es und zeigt die Meldung „Benötigt manuelles Laden“ an. Das Gerät muss dann von Hand zur Ladestation gebracht und nach dem Laden von Hand gestartet werden. Wenn Sie das Gerät im Betriebsmodus *MAN* laden, fährt es nach der vollständigen Ladung ca. 20 cm/8 Zoll aus der Ladestation heraus und bleibt dann stehen. Dies zeigt an, dass der Mähroboter vollständig geladen und bereit zum Mähen ist.

### 15.3 Betriebsmodus START Automower® 305/310/315/315X/ 420/430X/440/450X

Drücken Sie die Taste **START**, um einen der folgenden Betriebsmodi auszuwählen:

- *Hauptbereich*: Der standardmäßige Betriebsmodus, in dem das Gerät automatisch mäht und auflädt.



- *Nebenbereich*: Für das Mähen von Nebenbereichen muss diese Einstellung gewählt werden.

Im *Nebenbereich*-Modus muss der Bediener das Gerät manuell zwischen dem Hauptbereich und dem Nebenbereich bewegen. Das Gerät mäht, bis der Akku leer ist. Wenn der Akku aufgeladen ist, fährt das Gerät aus der Ladestation und hält an. Das Gerät ist nun betriebsbereit. Zuvor ist jedoch eine Bestätigung des Bedieners erforderlich.

**Hinweis:** Wenn Sie nach dem Laden des Akkus den Hauptbereich mähen möchten, stellen Sie das Gerät auf den *Hauptbereich*-Modus ein, bevor Sie es in die Ladestation stellen.

- *Zeitplan aus*: Alle eingestellten *Zeitplan*-Einstellungen können Sie vorübergehend

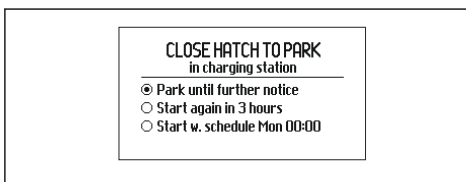
durch Auswählen von *Zeitplan aus* aufheben. Sie können den *Zeitplan* für 24 h oder 3 Tage aufheben.

- *Spiralschnitt*: (Nicht verfügbar für Automower® 310). Das Gerät arbeitet in spiralförmigen Mustern, um das Gras nur in dem Bereich zu schneiden, in dem seltener gemäht wird als in anderen Bereichen der Rasenfläche.

Die Funktion *Spiralschnitt* wird mit der Taste **START** aktiviert. Wenn der Mähvorgang beendet ist, können Sie auswählen, wie das Gerät fortfahren soll, indem Sie auf die **Pfeiltaste rechts** drücken und dann entweder *Hauptbereich* oder *Nebenbereich* auswählen.

### 15.4 Betriebsmodus PARKEN Automower® 305/310/315/315X/ 420/430X/440/450X

Drücken Sie die Taste **PARK**, um einen der folgenden Betriebsmodi auszuwählen:



- *Bis auf weiteres parken*: Das Gerät bleibt in der Ladestation, bis Sie einen anderen Betriebsmodus durch Drücken der Taste **START** auswählen.
- *Startet in 3 Stunden wieder*: Das Gerät bleibt für drei Stunden in der Ladestation und wechselt dann automatisch wieder in den Normalbetrieb. Dieser Betriebsmodus ist geeignet für ein Pausieren des Betriebs, z. B. wegen zwischenzeitlicher Bewässerung oder Freizeitbeschäftigungen auf dem Rasen.
- *Mit Zeitplan starten*: Das Gerät bleibt in der Ladestation, bis die nächste *Zeitplan*-Einstellung den Betrieb zulässt. Dieser Betriebsmodus ist geeignet, wenn ein laufender Mähzyklus abgebrochen werden soll. Das Gerät bleibt bis zum



nächsten Tag in der Ladestation. Diese Option wird nicht angezeigt, wenn keine Zeitplan-Einstellungen vorgenommen wurden.

## 15.5 Konnektivität

Über die mobile App Automower® Connect kann eine Verbindung zum Gerät hergestellt werden. Automower® Connect ist für Ihr Mobilgerät und Tablet (Apple oder Android) verfügbar. Wenn Automower® Connect aktiviert ist, werden auf dem Display des Geräts neue Symbole angezeigt. Weitere Einzelheiten finden Sie in der vollständigen Bedienungsanleitung.

**Hinweis:** Nicht alle Länder unterstützen Automower® Connect aufgrund rechtlicher Gründe und der verschiedenen regionalen Mobilfunksysteme. Der im Lieferumfang enthaltene Automower® Connect-Service auf Lebensdauer gilt nur, wenn ein Drittanbieter von 2G/3G/4G im Arbeitsbereich verfügbar ist. In einigen Ländern ist Bluetooth® aus rechtlichen Gründen nicht verfügbar.

### 15.5.1 Automower® Connect

Automower® Connect ist im Lieferumfang des Automower® 315X/430X/450X enthalten und als Zubehör für Automower® 305/310/315/420/440 erhältlich.

Automower® Mit Connect gelangen Sie mit Ihrem Mobilgerät in das Menü und können dort bequem die Einstellungen des Geräts ansehen und ändern. Mit dieser App können Sie den aktuellen Status des Geräts ansehen und es von jedem Ort aus steuern. Im Fall eines Diebstahls erhalten Sie eine Alarmmeldung und können die Position des Geräts verfolgen.

### 15.5.2 Automower® Connect@Home

Enthalten in Automower® 305/310/315/315X/420/430X/440/450X.

Automower® Connect@Home nutzt die Bluetooth® -Drahtlostechnologie. Dadurch können Sie über Ihr Smartphone so lange mit dem Gerät verbunden bleiben, wie Sie in Kommunikationsreichweite sind. Ein Symbol

für Bluetooth erscheint auf dem Display des Geräts, wenn eine Verbindung mit Ihrem Smartphone hergestellt wurde.

**Hinweis:** Automower® Connect@Home verfügt über ähnliche, aber nicht so umfassende Funktionen wie Automower® Connect und wird mit der gleichen App gesteuert.

### 15.5.3 Erste Schritte

Laden Sie die Automower® Connect-App (kann auch mit Automower® Connect@Home verwendet werden) aus dem AppStore oder GooglePlay herunter. Sobald Sie die App heruntergeladen haben, können Sie mit einer E-Mail-Adresse und einem Passwort ein Konto erstellen. Sie erhalten dann eine Bestätigungs-E-Mail an die von Ihnen angegebene E-Mail-Adresse. Befolgen Sie die Anweisungen in der E-Mail innerhalb von 24 Stunden, um Ihr Konto zu bestätigen. Wenn Sie Ihr Konto nicht innerhalb von 24 Stunden bestätigen, müssen Sie es erneut einrichten. Wenn das Benutzerkonto in der App erstellt wurde, können Sie das Gerät mit Ihrem Smartphone verbinden.

### 15.5.4 Mit Automower® Connect verbinden

Wählen Sie die Funktion *Zubehör > Automower Connect > Verbindung > Neue Verbindung*. Wenn Sie von der App dazu aufgefordert werden, geben Sie den 6-stelligen Code ein, der auf dem Display des Geräts angezeigt wird. Geben Sie auch den gewählten Namen des Geräts in der App ein. Automower® Connect ist immer mit dem Gerät verbunden, so lange das Mobilgerät Kontakt zum Mobilfunknetz hat, das Gerät geladen und eingeschaltet ist.

### 15.5.5 Mit Automower® Connect@Home verbinden

Aktivieren Sie die drahtlose Bluetooth® -Verbindung auf Ihrem Smartphone. Wählen Sie die Funktion *Zubehör > Connect@Home > Neue Verbindung* und folgen Sie den Anweisungen in der App. Nach der Kopplung des Geräts mit dem Smartphone verbindet es sich jedes Mal automatisch, sobald Sie sich in

Reichweite befinden. Wenn Sie das Gerät verbinden wollen, ohne ein Konto zu erstellen, können Sie Automower® Connect@Home auch verwenden, indem Sie Automower® Direct auf dem Startbildschirm der App auswählen.

## 15.6 Einstellen der Schnitthöhe

Ist das Gras lang, lassen Sie das Gerät mit der maximalen Schnitthöhe beginnen. Wenn das Gras kürzer geworden ist, kann die Schnitthöhe allmählich gesenkt werden.

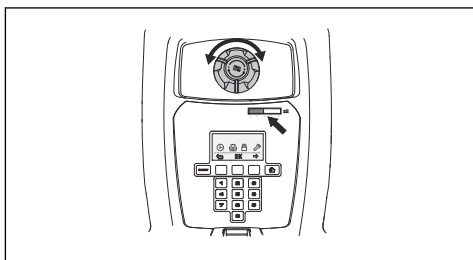


**ACHTUNG:** In der ersten Woche nach einer Neuinstallation muss die Schnitthöhe auf MAX. eingestellt werden, damit das Schleifenkabel nicht beschädigt wird. Danach kann die Schnitthöhe schrittweise jede Woche gesenkt werden, bis die gewünschte Schnitthöhe erreicht ist.

### 15.6.1 Automower® 105

Die Schnitthöhe kann zwischen MIN. (2 cm / 0.8") und MAX. (5 cm / 2.0") eingestellt werden. Einstellen der Schnitthöhe:

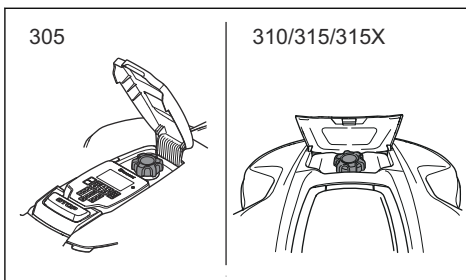
1. Drücken Sie die **STOP**-Taste, um das Gerät anzuhalten. Öffnen Sie dann die Abdeckung.
2. Drehen Sie den Höheneinstellungsknopf in die entsprechende Position. Die ausgewählte Position lässt sich am orangefarbenen Balken an der Höheneinstellungsanzeige ablesen.



### 15.6.2 Automower® 305/310/315/315X

Die Schnitthöhe kann zwischen MIN. (2 cm / 0.8") und MAX. (6 cm / 2.4") in 9 Stufen eingestellt werden.

1. Drücken Sie die Taste **STOP**, um das Gerät anzuhalten und die Abdeckung für die Schnitthöheneinstellung zu öffnen.
2. Drehen Sie den Knopf an die entsprechende Position. Drehen Sie ihn im Uhrzeigersinn, um die Schnitthöhe zu erhöhen, oder gegen den Uhrzeigersinn, um sie zu verringern. Der Pfeil zeigt auf die ausgewählte Position, die auf dem Gehäuse markiert ist.



### 15.6.3 Automower® 420/430X/440/450X

Die Schnitthöhe kann zwischen MIN. und MAX. in 9 Stufen eingestellt werden.

1. Drücken Sie die Taste **STOP**, um das Gerät anzuhalten und die Abdeckung zu öffnen.
2. Drücken Sie die Taste **MENU**, um das Hauptmenü aufzurufen.
3. Bewegen Sie den Cursor mit den **Pfeiltasten** nach oben bzw. nach unten, um das Menü für die *Schnitthöhe* auszuwählen.
4. Drücken Sie **OK**.
5. Erhöhen bzw. verringern Sie die Schnitthöhe mit den **Pfeiltasten**.

---

## 16 Wartung

---

### 16.1 Reinigung

Zur Gewährleistung einer besseren Betriebszuverlässigkeit und einer längeren Lebensdauer überprüfen und reinigen Sie das Gerät regelmäßig, und tauschen Sie ggf. Verschleißteile aus. Das Gerät funktioniert an Hängen nicht zufriedenstellend, wenn die Räder mit Gras blockiert sind. Reinigen Sie das Gerät mit einer weichen Bürste.

Von Husqvarna ist ein spezielles Reinigungs- und Wartungskit als Zubehör erhältlich. Setzen Sie sich mit Ihrem Husqvarna Händler vor Ort in Verbindung.



**WARNUNG:** Tragen Sie Schutzhandschuhe.



**WARNUNG:** Schalten Sie das Gerät mit dem **Hauptschalter** oder der Taste **EIN/AUS** aus, wenn Sie das Gerät umdrehen.

Schalten Sie das Gerät stets aus, wenn Sie Arbeiten am Chassis des Geräts durchführen, beispielsweise bei der Reinigung oder dem Austausch von Klingen.



**WARNUNG:** Ziehen Sie den Stecker, um die Ladestation vor Wartungsarbeiten bzw. Reinigungsarbeiten an Ladestation oder Netzteil vom Strom zu trennen.



**ACHTUNG:** Drücken Sie die **STOP**-Taste und ziehen Sie das Gerät aus der Ladestation, bevor Sie es anheben. Heben Sie das Gerät nicht hoch, wenn es sich in der Ladestation befindet. Dadurch können die Ladestation und/oder das Gerät beschädigt werden.

---

### 16.1.1 Reinigung Automower® 105/310/315/315X/420/430X/440/450X



**ACHTUNG:** Reinigen Sie das Gerät nicht mit einem Hochdruckreiniger oder fließendem Wasser. Verwenden Sie keine Lösungsmittel zur Reinigung des Geräts.

---

### 16.1.2 Reinigung Automower® 305

Reinigen Sie das Gerät mit einer Bürste oder fließendem Wasser aus einem Wasserschlauch.



**ACHTUNG:** Reinigen Sie das Gerät nicht mit einem Hochdruckreiniger. Verwenden Sie keine Lösungsmittel zur Reinigung des Geräts.

---

### 16.2 Akku



**WARNUNG:** Laden Sie das Gerät nur mit einer dafür vorgesehenen Ladestation und einem dafür vorgesehenen Netzteil. Eine inkorrekte Verwendung kann zu elektrischen Schlägen, Überhitzung oder Austreten von ätzender Flüssigkeit aus dem Akku führen. Spülen Sie den Bereich im Falle eines Austretens von Elektrolyt mit Wasser. Suchen Sie bei Kontakt mit den Augen o.ä. umgehend einen Arzt auf.

---



**WARNUNG:** Verwenden Sie nur vom Hersteller empfohlene Originalakkus. Bei der Verwendung von anderen Akkus kann die Gerätesicherheit nicht gewährleistet werden. Verwenden Sie keine nichtaufladbaren Akkus.

---



**ACHTUNG:** Der Akku muss am Ende der Saison vor der Winterlagerung vollständig aufgeladen werden. Wird der Akku nicht vollständig geladen, kann er beschädigt und in bestimmten Fällen unbrauchbar werden.

Die Ladezeit kann abhängig von verschiedenen Faktoren, u. a. der Umgebungstemperatur, unterschiedlich sein.

Die nachfolgenden Angaben weisen darauf hin, dass der Akku das Ende seiner Lebensdauer erreicht und ggf. ausgetauscht werden muss:

- Die Betriebsdauer des Geräts zwischen den einzelnen Ladephasen ist kürzer als üblich. Dies führt zu häufigeren Ladezyklen als normal, wodurch das Risiko der Spurenbildung nahe der Ladestation erhöht wird.
- Das Gerät wird auf dem Rasen stehend gefunden und die Meldung *Akku leer* wird angezeigt. Das ist ein Zeichen dafür, dass die Akkuleistung des Geräts nicht ausreicht, um die Ladestation zu finden.

Der Akku muss solange nicht ausgetauscht werden, wie das Gerät den Rasen noch gut mähen kann.

**Hinweis:** Die Lebensdauer des Akkus hängt von der Länge der Saison und von der Stundenzahl ab, die das Gerät pro Tag in Betrieb ist. Eine lange Mähseason oder eine große Anzahl an Betriebsstunden pro Tag können dazu führen, dass der Akku nach einer entsprechenden Betriebszeit ausgetauscht werden muss.

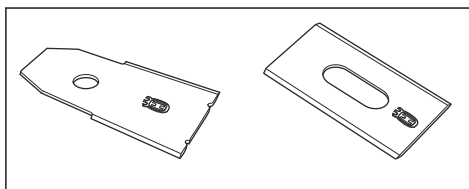
Wenden Sie sich bezüglich des Austauschs des Akkus an Ihren Husqvarna-Händler vor Ort.

## 16.3 Austausch der Klingen



**WARNUNG:** Verwenden Sie Klingen und Schrauben des richtigen Typs. Husqvarna kann nur bei der Verwendung von Originalklingen die Sicherheit garantieren. Wenn nur die Klingen ausgetauscht werden und die Schrauben weiterhin genutzt werden, kann dies zu einem Verschleiß der Schrauben beim Mähen führen. Die Klingen können dann aus dem Gehäuse geschleudert werden und schwere Verletzungen verursachen.

Ersetzen Sie abgenutzte oder beschädigte Teile aus Sicherheitsgründen. Selbst wenn die Klingen intakt sind, sollten sie für ein optimales Mähergebnis und geringen Energieverbrauch regelmäßig ausgetauscht werden. Alle drei Klingen und Schrauben müssen bei Bedarf gleichzeitig ausgetauscht werden, damit das Mähsystem richtig ausgewuchtet ist. Verwenden Sie Husqvarna Originalklingen, die mit dem gekrönten H-Logo geprägt sind, siehe *Garantiebedingungen auf Seite 73*.



## 16.4 So ersetzen Sie die Klingen

1. Schalten Sie das Gerät mit dem **Hauptschalter** oder der Taste **EIN/AUS** aus.
2. Drehen Sie das Gerät um. Legen Sie das Gerät auf eine weiche, saubere Oberfläche, um Beschädigungen des Gehäuses und der Abdeckung zu vermeiden.

3. Drehen Sie die Gleitplatte, bis deren Löcher über den Schrauben für die Klingen stehen.
4. Entfernen Sie die 3 Schrauben. Benutzen Sie dazu einen Schlitz- oder Kreuzschraubendreher.
5. Entfernen Sie alle Klingen und Schrauben.
6. Befestigen Sie die neuen Klingen und Schrauben.
7. Stellen Sie sicher, dass sich die Klingen frei bewegen können.

---

## 17 Fehlerbehebung

---

### 17.1 Fehlersuche

Bei Betriebsstörungen wird eine Meldung im Display eingeblendet. Genauere Informationen zu Meldungen finden Sie in der vollständigen Bedienungsanleitung auf der Husqvarna-Website ([www.husqvarna.com](http://www.husqvarna.com)). Wenn dieselbe Meldung häufiger angezeigt wird und Sie die Fehlerursache nicht finden, nehmen Sie Kontakt mit Ihrem Husqvarna-Händler vor Ort auf.

Brüche im Schleifenkabel entstehen gewöhnlich durch unbeabsichtigte Beschädigungen des Kabels, z. B. beim Graben mit einer Schaufel. Auch das starke Spannen des Kabels bei der Installation kann zu Brüchen führen. Ein Kabelbruch kann leichter gefunden werden, wenn man die Länge der Schleife in dem Bereich, in dem der Bruch vermutet wird, immer weiter halbiert, bis nur noch ein kleiner Kabelabschnitt übrig ist. Siehe vollständige Bedienungsanleitung auf der Husqvarna-Website ([www.husqvarna.com](http://www.husqvarna.com)).

### 17.1.1 Anzeigelampe an der Ladestation

Leuchtet die Anzeigelampe an der Ladestation dauerhaft oder blinkt grün, weist dies auf eine vollständige und betriebsfähige Installation hin. Sollte die Lampe nicht dauerhaft grün leuchten, ziehen Sie die Fehlersuche zu Rate.

Weitere Hilfestellungen finden Sie auf [www.husqvarna.com](http://www.husqvarna.com). Sollten Sie trotz allem Hilfe benötigen, setzen Sie sich mit Ihrem Husqvarna-Händler vor Ort in Verbindung.

Lampe	Ursache	Maßnahme
<i>Lampe leuchtet dauerhaft grün</i>	Gutes Signal	Es sind keine Maßnahmen erforderlich.
<i>Lampe blinkt grün</i>	Das Signal ist gut, und der <i>ECO-Modus</i> ist aktiviert.	Es sind keine Maßnahmen erforderlich.
<i>Lampe blinkt blau</i>	Das Begrenzungskabel ist nicht an die Ladestation angeschlossen.	Prüfen, ob die Verbinder des Begrenzungskabels richtig an der Ladestation befestigt sind.
	Beschädigtes Begrenzungskabel.	Unterbrochene Stelle finden. Den beschädigten Abschnitt des Schleifenkabels durch ein neues Schleifenkabel ersetzen und mit einem Originalverbinder an das bestehende Kabel anschließen.
<i>Lampe blinkt rot</i>	Signal der Ladestationsantenne ist unterbrochen.	Den Husqvarna-Händler vor Ort kontaktieren.
<i>Lampe leuchtet dauerhaft rot</i>	Fehler in der Leiterplatte oder falsches Netzteil in der Ladestation. Der Fehler sollte von einem autorisierten Servicetechniker behoben werden.	Den Husqvarna-Händler vor Ort kontaktieren.

## 18 Transport, Lagerung und Entsorgung

### 18.1 Transport

Die mitgelieferten Lithium-Ionen-Akkus entsprechen den Anforderungen des Gefahrgutrechts.

- Beachten Sie sämtliche geltende nationale Vorschriften.
- Beachten Sie für den gewerblichen Transport, darunter durch Dritte oder Speditionen, die gesonderten Anforderungen auf Verpackung und Etiketten.
- Informationen zum Entfernen des Akkus finden Sie in der vollständigen

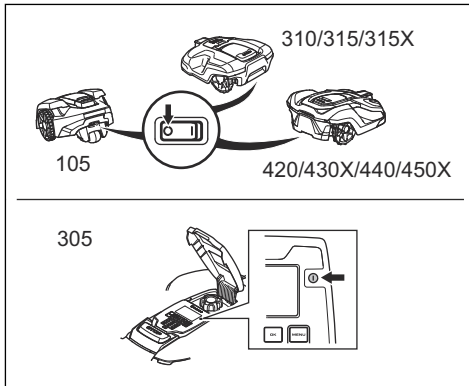
Bedienungsanleitung unter [www.husqvarna.com](http://www.husqvarna.com).

#### 18.1.1 Gerät anheben und bewegen

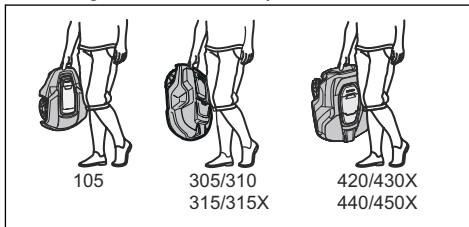
So bewegen Sie das Gerät innerhalb/ außerhalb des Arbeitsbereichs sicher:

1. Drücken Sie die **STOP**-Taste, um das Gerät anzuhalten. Wenn eine mittlere oder hohe Sicherheitsstufe eingestellt wurde, muss der PIN-Code eingegeben werden. Der PIN-Code besteht aus vier Ziffern und wird beim ersten Starten des Geräts festgelegt. Siehe vollständige Bedienungsanleitung.

2. Schalten Sie das Gerät mit dem **Hauptschalter** oder der Taste **EIN/AUS** aus.



3. Halten Sie dabei das Gerät am Griff an der Unterseite stets so, dass der Klingenteller vom Körper entfernt ist.



## 18.2 Lagerung im Winter

### 18.2.1 Der Mähroboter

Das Gerät muss vor der Aufbewahrung für den Winter sorgfältig gereinigt werden. Siehe *Reinigung auf Seite 59*.



**ACHTUNG:** Der Akku muss am Ende der Saison vor der Winterlagerung vollständig aufgeladen werden. Wird der Akku nicht vollständig geladen, kann er beschädigt und in bestimmten Fällen unbrauchbar werden.

Platzieren Sie das Gerät mit geöffneter Abdeckung in der Ladestation bis das Akku-Symbol auf dem Display anzeigt, dass der Akku vollständig geladen ist. Schalten Sie das

Gerät mit dem **Hauptschalter** oder der Taste **EIN/AUS** aus.

Überprüfen Sie den Zustand von Verschleißteilen wie Klingen und Lager in den Hinterrädern. Nehmen Sie die nötigen Schritte vor, damit das Gerät für die nächste Saison in gutem Zustand ist.

Bewahren Sie das Gerät auf allen Rädern stehend in einer trockenen, frostfreien Umgebung auf, möglichst in der Originalverpackung. Sie können das Gerät ebenfalls an einer Wandhalterung von Husqvarna hängend lagern. Weitere Informationen zu verfügbaren Wandhalterungen erhalten Sie bei Ihrem Husqvarna-Händler.

### 18.2.2 Die Ladestation

Lagern Sie die Ladestation und das Netzteil am besten im Haus. Das Begrenzungskabel und das Leitkabel können im Boden verbleiben.

1. Trennen Sie das Netzteil der Ladestation vom Stromnetz.
2. Lösen Sie die Verriegelung des Anschlusses und ziehen Sie den Stecker heraus.
3. Trennen Sie die Begrenzungs- und Leitkabelkontakte von der Ladestation.

Die Enden der Kabel sollten gegen Feuchtigkeit geschützt werden, z. B. indem Sie sie in eine Dose mit Schmierfett stecken.

Ist die Lagerung der Ladestation im Haus nicht möglich, muss sie während des gesamten Winters am Stromnetz und an den Begrenzungs- und Leitkabeln angeschlossen sein.

### 18.3 Umweltinformationen



Das Symbol auf dem Husqvarna-Gerät weist darauf hin, dass dieses Gerät nicht über den Hausmüll entsorgt werden darf. Übergeben Sie es zur Entsorgung stattdessen an eine entsprechende Recyclinganlage

für elektrische und elektronische Geräte. Der Akku muss entfernt werden, bevor das Gerät entsorgt wird.

Genauere Informationen über die ordnungsgemäße Entsorgung dieses Geräts erhalten Sie bei Ihrer Stadtverwaltung, Ihrem Abfallentsorgungsunternehmen oder dem Geschäft, in dem Sie Ihr Gerät gekauft haben.

Hinweise zum Ausbau des Akkus finden Sie in der vollständigen Bedienungsanleitung auf der Husqvarna-Website.

## 19 Technische Angaben

### 19.1 Automower® 105/305

Abmessungen	Automower® 105	Automower® 305
Länge, cm/Zoll	55/21,7	57/22,4
Breite, cm/Zoll	39/15,4	43/16,9
Höhe, cm/Zoll	25/9,8	25/9,8
Gewicht, kg/Pfund	6,9/15	9,4/21

Elektrisches System	Automower® 105	Automower® 305
Akku, Lithium-Ionen 18,5 V/2,1 Ah Art.-Nr.	586 57 62-02	584 85 28-01, 584 85 28-02
Akku, Lithium-Ionen 18 V/2,0 Ah Art.-Nr.	586 57 62-03	584 85 28-03
Akku, Lithium-Ionen 18,25 V/2,0 Ah Art.-Nr.	586 57 62-04	584 85 28-04
Netzteil, V/28 V DC	100-240	100-240
Länge des Niederspannungskabels in m/Fuß	5/16,4	10/33
Geringster Energieverbrauch bei maximalem Einsatz	5 kWh/Monat bei einem Arbeitsbereich von 600 m <sup>2</sup> / 0,15 Morgen	5 kWh/Monat bei einem Arbeitsbereich von 600 m <sup>2</sup> / 0,15 Morgen
Ladestrom, A DC	1,3	1,3
Art des Netzteils	FW7312, ADP-40BR	ADP-40EW, ADP-40BR, FW7312
Durchschnittliche Mähzeit in min	65	60
Durchschnittliche Ladezeit in min	50	60



Begrenzungskabelantenne	Automower® 105	Automower® 305
Betriebsfrequenzband, Hz	300–80000	300–80000
Maximale Funkfrequenz-Versorgung, mW bei 60 m <sup>34</sup>	< 25	< 25

Geräuschemissionen in der Umgebung, als Schalleistung gemessen <sup>35</sup>	Automower® 105	Automower® 305
Gemessener Schalleistungspegel, dB (A)	58	58
Garantierter Schalleistungspegel, dB (A)	61	59
Schalldruck-Geräuschpegel am Ohr des Bedieners, dB (A) <sup>36</sup>	47	47

Mähen	Automower® 105	Automower® 305
Schneidsystem	3 rotierende Klingen	
Geschwindigkeit Klingenmotor, U/min	2900	2200
Stromverbrauch beim Schneiden, W +/- 20 %	20	25
Schnitthöhe, cm/Zoll	2-5/0,8-2,0	2-5/0,8-2,0
Schnittbreite, cm/Zoll	17/6,7	22/8,7
Schmalste Passage, cm/Zoll	60/24	60/24
Maximaler Winkel für Arbeitsbereich in %	25	40
Maximaler Winkel für Begrenzungskabel in %	15	15
Maximale Länge des Begrenzungskabels in m/Fuß	400/1300	800/2600
Maximale Länge des Leitkabels in m/Fuß	200/650	400/1300

<sup>34</sup> Maximale Ausgangsleistung zu den Antennen im Betriebsfrequenzbereich.

<sup>35</sup> Geräuschemissionen in der Umgebung, gemessen als Schalleistung ( $L_{WA}$ ) gemäß der EG-Richtlinie 2000/14/EG und der Gesetzgebung von New South Wales (Protection of the Environment Operations Regulation 2017, Noise Control). Der garantierte Schalleistungspegel beinhaltet Abweichungen bei der Produktion sowie Abweichungen vom Prüfcode von 1-3 dB(A). Daten zu Geräuschemissionen sind auf dem Gerätetypenschild und im Abschnitt „Technische Daten“ angegeben.

<sup>36</sup> Unsicherheiten bei Schalldruck  $K_{pA}$ , 2-4 dB (A)

<b>Mähen</b>	<b>Automower® 105</b>	<b>Automower® 305</b>
Arbeitskapazität, m <sup>2</sup> /Morgen, +/- 20 %	600/0,15	600/0,15

<b>IP-Klassifizierung</b>	<b>Automower® 105</b>	<b>Automower® 305</b>
Mähroboter	IPX4	IPX5
Ladestation	IPX1	IPX1
Netzteil	IPX4	IPX4

## 19.2 Automower® 310/315/315X

<b>Abmessungen</b>	<b>Automo- wer® 310</b>	<b>Automo- wer® 315</b>	<b>Automower® 315X</b>
Länge, cm/Zoll	63/24,8	63/24,8	63/24,8
Breite, cm/Zoll	51/20,1	51/20,1	51/20,1
Höhe, cm/Zoll	25/9,8	25/9,8	25/9,8
Gewicht, kg/Pfund	9,2/20	9,2/20	10,1/22

<b>Elektrisches System</b>	<b>Automower® 310</b>	<b>Automower® 315</b>	<b>Automower® 315X</b>
Akku, Lithium-Ionen 18,5 V/2,1 Ah Art.-Nr.	584 85 28-01, 584 85 28-02	584 85 28-01, 584 85 28-02	584 85 28-01, 584 85 28-02
Akku, Lithium-Ionen 18 V/2,0 Ah Art.-Nr.	584 85 28-03, 590 21 42-02, 593 11 40-01, 593 11 40-02	584 85 28-03, 590 21 42-02, 593 11 40-01, 593 11 40-02	584 85 28-03, 590 21 42-02, 593 11 40-01, 593 11 40-02
Akku, Lithium-Ionen 18,25 V/2,0 Ah Art.-Nr.	584 85 28-04, 590 21 42-03	584 85 28-04, 590 21 42-03	584 85 28-04, 590 21 42-03
Netzteil, V/28 V DC	100-240	100-240	100-240
Länge des Niederspannungskabels in m/Fuß	10/33	10/33	10/33
Geringster Energieverbrauch bei maximalem Einsatz	8 kWh/ Monat bei einem Arbeitsbereich von 1000 m <sup>2</sup> / 0,25 Morgen	10 kWh/ Monat bei einem Arbeitsbereich von 1500 m <sup>2</sup> / 0,37 Morgen	10 kWh/ Monat bei einem Arbeitsbereich von 1600 m <sup>2</sup> / 0,4 Morgen
Ladestrom, A DC	1,3	1,3	1,3
Art des Netzteils	FW7312, ADP-40BR	FW7312, ADP-40BR	FW7312, ADP-40BR
Durchschnittliche Mähzeit in min	70	70	70
Durchschnittliche Ladezeit in min	60	60	60
<b>Begrenzungskabelantenne</b>	<b>Automower® 310</b>	<b>Automower® 315</b>	<b>Automower® 315X</b>
Betriebsfrequenzband, Hz	300–80000	300-80000	300–80000
Maximale Funkfrequenz-Versorgung, mW bei 60 m <sup>37</sup>	< 25	< 25	< 25

<sup>37</sup> Maximale Ausgangsleistung zu den Antennen im Betriebsfrequenzbereich.

<b>Geräuschemissionen in der Umgebung, als Schallleistung gemessen<sup>38</sup></b>	<b>Automower® 310</b>	<b>Automower® 315</b>	<b>Automower® 315X</b>
Gemessener Schalleistungspegel, dB (A)	58	58	58
Garantierter Schalleistungspegel, dB (A)	60	60	60
Schalldruck-Geräuschpegel am Ohr des Bedieners, dB (A) <sup>39</sup>	47	47	47

<b>Mähen</b>	<b>Automower® 310</b>	<b>Automower® 315</b>	<b>Automower® 315X</b>
Schneidsystem	3 rotierende Klängen		
Geschwindigkeit Klingenmotor, U/min	2300	2300	2300
Stromverbrauch beim Schneiden, W +/- 20 %	25	25	25
Schnitthöhe, cm/Zoll	2-6/0,8-2,4	2-6/0,8-2,4	2-6/0,8-2,4
Schnittbreite, cm/Zoll	22/8,7	22/8,7	22/8,7
Schmalste Passage, cm/Zoll	60/24	60/24	60/24
Maximaler Winkel für Arbeitsbereich in %	40	40	40
Maximaler Winkel für Begrenzungskabel in %	15	15	15
Maximale Länge des Begrenzungskabels in m/Fuß	800/2600	800/2600	800/2600
Maximale Länge des Leitkabels in m/Fuß	400/1300	400/1300	400/1300
Arbeitskapazität, m <sup>2</sup> /Morgen, +/- 20 %	1000/0,25	1500/0,37	1600/0,4

<b>IP-Klassifizierung</b>	<b>Automower® 310</b>	<b>Automower® 315</b>	<b>Automower® 315X</b>
Mähroboter	IPX4	IPX4	IPX4
Ladestation	IPX1	IPX1	IPX1
Netzteil	IPX4	IPX4	IPX4

<sup>38</sup> Geräuschemissionen in der Umgebung, gemessen als Schallleistung ( $L_{WA}$ ) gemäß der EG-Richtlinie 2000/14/EG und der Gesetzgebung von New South Wales (Protection of the Environment Operations Regulation 2017, Noise Control). Der garantierte Schalleistungspegel beinhaltet Abweichungen bei der Produktion sowie Abweichungen vom Prüfcode von 1-3 dB(A). Daten zu Geräuschemissionen sind auf dem Gerätetypenschild und im Abschnitt „Technische Daten“ angegeben.

<sup>39</sup> Unsicherheiten bei Schalldruck  $K_{pA}$ : 2-4 dB (A)

### 19.3 Automower® 420/430X/440/450X

Abmessungen	Automower® 420	Automower® 430X	Automower® 440	Automower® 450X
Länge, cm/Zoll	72/28,3	72/28,3	72/28,3	72/28,3
Breite, cm/Zoll	56/22,0	56/22,0	56/22,0	56/22,0
Höhe, cm/Zoll	31/12,2	31/12,2	31/12,2	31/12,2
Gewicht, kg/Pfund	11,5/25	13,2/29	12/27	13,9/31

Elektrisches System	Automower® 420	Automower® 430X	Automower® 440	Automower® 450X
Akku, Lithium-Ionen 18,5 V/4,0 Ah Art.-Nr.	580 68 33-02			
Akku, Lithium-Ionen 18 V/4,0 Ah Art.-Nr.	580 68 33-03, 593 11 41-02, 593 11 42-01			
Akku, Lithium-Ionen 18,25 V/4,0 Ah Art.-Nr.	580 68 33-04, 593 11 41-03, 593 11 42-02			
Akku, Lithium-Ionen 18 V/5,2 Ah Art.-Nr.			588 14 64-01 (2 Stk.) 5,2 Ah/ Akku	
Akku, Lithium-Ionen 18 V/5,0 Ah Art.-Nr.		593 11 84-01, 593 11 85-01	588 14 64-02, 593 11 84-01, 593 11 85-01 (2 Stk.) 5,0 Ah/Akku	593 11 84-01, 593 11 85-01 (2 Stk.) 5,0 Ah/Akku
Akku, Lithium-Ionen 18 V/4,9 Ah Art.-Nr.		593 11 84-02, 593 11 85-02	588 14 64-03, 593 11 84-02, 593 11 85-02 (2 Stk.) 4,9 Ah/Akku	593 11 84-02, 593 11 85-02 (2 Stk.) 4,9 Ah/Akku
Netzteil, V/28 V DC	100-240	100-240	100-240	100-240
Länge des Niederspannungskabels in m/Fuß	10/33	10/33	10/33	10/33

<b>Elektrisches System</b>	<b>Automower® 420</b>	<b>Automower® 430X</b>	<b>Automower® 440</b>	<b>Automower® 450X</b>
Geringster Energieverbrauch bei maximalem Einsatz	17 kWh/ Monat bei einem Arbeitsbereich von 2200 m <sup>2</sup> / 0,55 Morgen	18 kWh/ Monat bei einem Arbeitsbereich von 3200 m <sup>2</sup> / 0,8 Morgen	20 kWh/ Monat bei einem Arbeitsbereich von 4000 m <sup>2</sup> / 1 Morgen	23 kWh/ Monat bei einem Arbeitsbereich von 5000 m <sup>2</sup> / 1,25 Morgen
Ladestrom, A DC	2,2	4,2	7	7
Art des Netzteils	ADP-60JR, FW7438	FW7448, ADP-120DR	FW7458/28/D, ADP-200JR	FW7458/28/D, ADP-200JR
Durchschnittliche Mähzeit in min	75	145	290	270
Durchschnittliche Ladezeit in min	50	50	60	60

<b>Begrenzungskabelantenne</b>	<b>Automower® 420</b>	<b>Automower® 430X</b>	<b>Automower® 440</b>	<b>Automower® 450X</b>
Betriebsfrequenzband, Hz	300–80000	300-80000	300-80000	300–80000
Maximale Funkfrequenz-Versorgung, mW bei 60 m <sup>40</sup>	< 25	< 25	< 25	< 25

<b>Geräuschemissionen in der Umgebung, als Schalleistung gemessen<sup>41</sup></b>	<b>Automower® 420</b>	<b>Automower® 430X</b>	<b>Automower® 440</b>	<b>Automower® 450X</b>
Gemessener Schalleistungspegel, dB (A)	57	57	56	58
Garantierter Schalleistungspegel	58	58	56	59
Schalldruck-Geräuschpegel am Ohr des Benutzers, dB (A) <sup>42</sup>	46	46	45	47

<sup>40</sup> Maximale Ausgangsleistung zu den Antennen im Betriebsfrequenzbereich.

<sup>41</sup> Geräuschemissionen in der Umgebung, gemessen als Schalleistung ( $L_{WA}$ ) gemäß der EG-Richtlinie 2000/14/EG und der Gesetzgebung von New South Wales (Protection of the Environment Operations Regulation 2017, Noise Control). Der garantierte Schalleistungspegel beinhaltet Abweichungen bei der Produktion sowie Abweichungen vom Prüfcode von 1-3 dB(A). Daten zu Geräuschemissionen sind auf dem Gerätetypenschild und im Abschnitt „Technische Daten“ angegeben.

<sup>42</sup> Unsicherheiten bei Schalldruck  $K_{pA}$ : 2-4 dB (A)

<b>Mähen</b>	<b>Automo- wer® 420</b>	<b>Automower® 430X</b>	<b>Automo- wer® 440</b>	<b>Automower® 450X</b>
Schneidsystem	3 rotierende Klingen			
Geschwindigkeit Klingenmotor, U/min	2300	2300	2300	2300
Stromverbrauch beim Schneiden, W +/- 20 %	30	30	30	35
Schnitthöhe, cm/Zoll	2-6/0,8-2,4	2-6/0,8-2,4	2-6/0,8-2,4	2-6/0,8-2,4
Schnittbreite, cm/Zoll	24/9,4	24/9,4	24/9,4	24/9,4
Schmalste Passage, cm/Zoll	60/24	60/24	60/24	60/24
Maximaler Winkel für Arbeitsbereich in %	45	45	45	45
Maximaler Winkel für Begrenzungs- kabel in %	15	15	15	15
Maximale Länge des Begrenzungs- kabels in m/Fuß	800/2600	800/2600	800/2600	800/2600
Maximale Länge des Leitkabels in m/Fuß	400/1300	400/1300	400/1300	400/1300
Arbeitskapazität, m <sup>2</sup> /Morgen, +/- 20 %	2200/0,55	3200/0,8	4000/1	5000/1,25

<b>IP-Klassifizierung</b>	<b>Automo- wer® 420</b>	<b>Automower® 430X</b>	<b>Automo- wer® 440</b>	<b>Automower® 450X</b>
Mähroboter	IPX4	IPX4	IPX4	IPX4
Ladestation	IPX1	IPX1	IPX1	IPX1
Netzteil	IPX4	IPX4	IPX4	IPX4

<b>Unterstützte Frequenzbandbreiten</b>	
Bluetooth® Frequenzbereich	2400-2483,5 MHz
Automower® Connect 2G	GSM 850 MHz
	E-GSM 900 MHz
	DCS 1800 MHz
	PCS 1900 MHz
Automower® Connect 3G	Band 19 (800 MHz)
	Band 5 (850 MHz)
	Band 8 (900 MHz)
	Band 2 (1900 MHz)
	Band 1 (2100 MHz)
Automower® Connect 4G	Band 12 (700 MHz)
	Band 17 (700 MHz)
	Band 28 (700 MHz)
	Band 13 (700 MHz)
	Band 20 (800 MHz)
	Band 26 (850 MHz)
	Band 5 (850 MHz)
	Band 19 (850 MHz)
	Band 8 (900 MHz)
	Band 4 (1700 MHz)
	Band 3 (1800 MHz)
	Band 2 (1900 MHz)
	Band 25 (1900 MHz)
	Band 1 (2100 MHz)
	Band 39 (1900 MHz)



<b>Leistungsklasse</b>		
Bluetooth® Ausgangsleistung	8 dBm	
Automower® Connect 2G	Leistungsklasse 4 (für GSM/E-GSM)	33 dBm
	Leistungsklasse 1 (für DCS/PCS)	30 dBm
	Leistungsklasse E2 (für Frequenzbänder GSM/E-GSM)	27 dBm
	Leistungsklasse E2 (für Frequenzbänder DCS/PCS)	26 dBm
Automower® Connect 3G	Leistungsklasse 3	24 dBm
Automower® Connect 4G	Leistungsklasse 3	23 dBm

Husqvarna AB übernimmt keine Garantie für die vollständige Kompatibilität zwischen dem Gerät und anderen kabellosen Systemen wie Fernbedienungen, Sendern, im Boden verlegten elektrischen Umzäunungen von Viehweiden o. ä.

Die Geräte werden in England oder Tschechien hergestellt. Siehe Informationen auf dem Typenschild. Siehe *Einleitung auf Seite 37*

## 19.4 Eingetragene Marken

Die *Bluetooth*®-Wortmarke und die Logos sind eingetragene Marken von Bluetooth SIG, inc. und die Verwendung dieser Marken durch Husqvarna erfolgt unter Lizenz.

---

## 20 Gewährleistung

---

### 20.1 Garantiebedingungen

Die Garantie von Husqvarna gewährleistet die Funktionsfähigkeit dieses Geräts für einen Zeitraum von 2 Jahren ab dem Kaufdatum. Die Garantie deckt gravierende Material- und Herstellungsfehler ab. In der Garantiezeit wird das Gerät kostenlos ersetzt bzw. repariert, wenn folgende Bedingungen erfüllt sind:

- Das Gerät und die Ladestation dürfen nur in Übereinstimmung mit den Anweisungen in dieser Bedienungsanleitung verwendet werden. Diese Herstellergarantie hat keine Auswirkungen auf die Gewährleistungsansprüche gegenüber dem Händler/Einzelhändler.
- Es darf vom Benutzer bzw. durch nicht berechnigte Dritte kein Versuch unternommen werden, das Gerät zu reparieren.

Nicht von der Garantie abgedeckt sind beispielsweise folgende Schäden:

- Schäden, die durch eingedrungenes Wasser bei Verwendung eines Hochdruckreinigers oder durch das Eintauchen in Wasser verursacht werden, z. B. wenn sich aufgrund starker Regenfälle Wasseransammlungen bilden.
- Schäden durch Blitzschlag.
- Schäden durch nicht ordnungsgemäße Lagerung des Akkus oder durch falschen Umgang mit dem Akku.
- Schäden aufgrund der Nichtverwendung eines Originalakkus von Husqvarna.
- Schäden, die durch die Verwendung von Nicht-Originalersatzteilen und Zubehör von Husqvarna, wie Klingen und Installationsmaterial, entstanden sind.
- Schäden am Schleifenkabel.

- Schäden durch nicht-autorisierte Änderungen oder Eingriffe in das Gerät oder Netzteil.

Die Klingen und Räder sind Verschleißteile und fallen nicht unter den Geltungsbereich dieser Garantie.

Sollten Sie eine Störung Ihres Husqvarna-Geräts feststellen, setzen Sie sich bitte mit

dem Husqvarna-Kundenservice in Verbindung. Bitte halten Sie die Quittung und die Seriennummer des Geräts bereit, wenn Sie mit dem Husqvarna-Kundenservice Kontakt aufnehmen.

---

## 21 EG-Konformitätserklärung

---

### 21.1 EU-Konformitätserklärung

**Husqvarna AB**, SE-561 82 Huskvarna, Schweden, Tel.: +46-36-146500, versichert hiermit, dass die Mähroboter der Serien **Husqvarna Automower® 105, Husqvarna Automower® 305, Husqvarna Automower® 310, Husqvarna Automower® 315, Husqvarna Automower® 315X, Husqvarna Automower® 420, Husqvarna Automower® 430X, Husqvarna Automower® 440 und Husqvarna Automower® 450X** mit Seriennummern ab 2019 Woche 40 (die Jahreszahl und Woche wird im Klartext auf dem Typenschild angegeben, gefolgt von der Seriennummer) den Vorschriften folgender RICHTLINIEN DES RATES entsprechen:

- „Maschinenrichtlinie“ **2006/42/EG**.
  - Besondere Anforderungen an akkubetriebene Mähroboter **EN 50636-2-107: 2015**.
  - Elektromagnetische Felder **EN 62233: 2008**.
- Richtlinie zur „Beschränkung der Verwendung bestimmter gefährlicher Stoffe“ **2011/65/EU**.
  - Es gilt die folgende Norm: **EN 50581:2012**
- Richtlinie „Geräuschemissionen von zur Verwendung im Freien vorgesehenen Geräten und Maschinen“ **2000/14/EG**. Unter *Technische Angaben auf Seite 64* finden Sie ebenfalls Informationen zu Geräuschemissionen und Schnittbreite.

Für **Husqvarna Automower® 105** (Zertifikat 01/901/176), **Husqvarna**

**Automower® 305** (Zertifikat 01/901/322), **Husqvarna Automower® 310/315** (Zertifikat 01/901/225), **Husqvarna Automower® 315X** (Zertifikat 01/901/286) und **Husqvarna Automower® 420/430X/440/450X** (Zertifikat 01/901/201): Die benannte Stelle RISE SMP Svensk Maskinprovning AB, Box 7035, SE-750 07 Uppsala, Sweden hat einen Bericht zur Beurteilung der Übereinstimmung gemäß Anlage VI zur Richtlinie des Rates vom 8. Mai 2000 „über umweltbelastende Geräuschemissionen“ 2000/14/EG veröffentlicht.

- Richtlinie „über Funkanlagen“ **2014/53/EU**. Baumusterprüfbescheinigung wird zur Prüfung an Richtlinie 2014/53/EU ausgestellt. Baumusterprüfbescheinigungsnummer für **Husqvarna Automower® 105** ist SC1110-17. Die folgenden Normen werden erfüllt:

- **ETSI EN 303 447 V1.1.1**

Elektromagnetische Verträglichkeit:

- **ETSI EN 301 489-1 V2.2.0**
- **EN 61000-6-1:2007**
- **EN 61000-6-3:2007/A1:2011**

Für **Husqvarna Automower® 315X, Husqvarna Automower® 430X** und **Husqvarna Automower® 450X**, die mit dem Modul **Automower® Connect** ausgestattet sind, gelten zudem:

- **ETSI EN 301 489-19 V2.1.0**

- ETSI EN 301 489-52 V1.1.1
- ETSI EN 301 511 V12.5.1
- ETSI EN 301 908-2 V11.1.1

Für Husqvarna Automower® 305, Husqvarna Automower® 310, Husqvarna Automower® 315, Husqvarna Automower® 315X, Husqvarna Automower® 420, Husqvarna Automower® 430X, Husqvarna Automower® 440 und Husqvarna Automower® 450X ausgestattet mit Bluetooth® auch:

- ETSI EN 300 328 V2.1.1
- ETSI EN 301 489-17 V3.1.1



Husqvarna 2019-12-12

Lars Roos

Global R&D Director, Electric category

(Bevollmächtigter Vertreter für Husqvarna AB,  
verantwortlich für die technische  
Dokumentation.)

---

## Sommaire

---

23 Introduction.....	76	28 Dépannage.....	99
24 Sécurité.....	84	29 Transport, entreposage et mise au rebut... 100	
25 Installation.....	88	30 Caractéristiques techniques.....	101
26 Utilisation.....	93	31 Garantie.....	111
27 Entretien.....	97	32 Déclaration de conformité CE.....	112

---

## 23 Introduction

---

### 23.1 Introduction

Numéro de série :
-------------------

Code PIN :
------------

Le numéro de série se trouve sur la plaque signalétique et sur le carton du produit.

- Utilisez le numéro de série pour enregistrer votre produit sur [www.husqvarna.com](http://www.husqvarna.com).

### 23.2 Assistance

Pour obtenir de l'aide concernant le produit, contactez votre atelier d'entretien Husqvarna.

#### 23.2.1 Manuel d'utilisation complet

Un manuel d'utilisation complet est disponible sur le site Web de Husqvarna à l'adresse : [www.husqvarna.com](http://www.husqvarna.com). Il est plus détaillé concernant, par exemple, les instructions relatives à l'installation, l'entretien, le dépannage et la structure du menu.

#### 23.2.2 Description du produit

**Remarque:** Husqvarna met régulièrement à jour l'apparence et la fonctionnalité de ses produits. Reportez-vous à la section *Assistance à la page 76*.

Le produit est un robot tondeuse. Le produit est équipé d'une source d'alimentation par batterie et coupe l'herbe automatiquement. Il n'est pas nécessaire de collecter l'herbe.

L'opérateur sélectionne les paramètres de fonctionnement à l'aide des boutons du clavier. L'écran affiche les paramètres de fonctionnement sélectionnés et les options disponibles ainsi que le mode de fonctionnement du produit.

Le câble périphérique et le câble guide contrôlent le mouvement du produit dans la zone de travail.

#### 23.2.2.1 Automower® Connect

Automower® Connect est une application mobile qui permet de sélectionner les réglages de fonctionnement à distance. Reportez-vous à la section *Connectivité à la page 95*.

### 23.3 Capacité

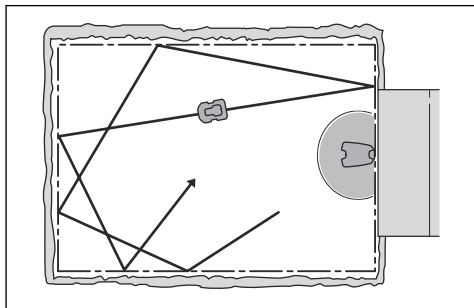
La taille de la zone de couverture du produit dépend principalement de l'état des lames et du type, de la taille et de l'humidité de l'herbe. La forme du jardin joue également un rôle important. Le produit offre un meilleur rendement dans un jardin essentiellement constitué de grandes pelouses ouvertes que dans un jardin divisé en plusieurs petites pelouses séparées par des arbres, des massifs de fleurs et des chemins. Pour en savoir plus sur la capacité de travail, reportez-vous à *Caractéristiques techniques à la page 101*.

Pour un résultat de tonte optimal, il est recommandé d'utiliser principalement le produit par temps sec. Le produit convient également pour une tonte par temps de pluie ;

toutefois, l'herbe humide adhère plus facilement au produit, ce qui induit un risque accru de dérapage dans les pentes raides. Pour un résultat de tonte optimal, les lames doivent être en bon état. Pour qu'elles restent aiguisées aussi longtemps que possible, il est important de débarrasser la pelouse des branches, des petites pierres et de tout autre objet. Remplacez les lames régulièrement. Reportez-vous à la section *Remplacement des lames* à la page 98.

### 23.4 Trajectoire de déplacement

La trajectoire de déplacement du produit est aléatoire. Cela permet une tonte uniforme de la pelouse sans lignes de tonte.

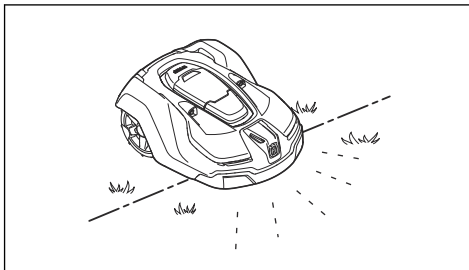


### 23.5 Méthode de travail

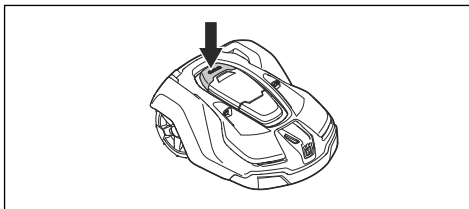
Automower® 315X/430X/450X utilise un système de navigation assistée par GPS pour commencer à tondre dans un endroit du jardin qui ne l'a pas été récemment. Pour les autres modèles, vous devrez peut-être régler des paramètres de démarrage à distance pour vous assurer que la tonte de la pelouse est bien homogène ; reportez-vous au manuel d'utilisation complet sur le site Web d'Husqvarna.

Quand le produit rencontre un obstacle ou approche un câble périphérique, il fait marche arrière et choisit une nouvelle direction. Des capteurs à l'avant et à l'arrière détectent le moment où le produit s'approche du câble périphérique. L'avant passe toujours le câble périphérique à une distance spécifique avant que le produit tourne. La distance peut être

modifiée pour s'adapter à l'installation si nécessaire.



Le bouton **STOP** sur le dessus du produit sert principalement à l'arrêter en cours de fonctionnement. Lorsque le bouton **STOP** est actionné, un capot s'ouvre pour laisser apparaître le panneau de commande. Le bouton **STOP** reste enfoncé tant que le capot n'est pas refermé. Ce principe associé à la présence du bouton **START** rend le démarrage impossible.



**Remarque:** Pour faire démarrer le produit, appuyez toujours sur le bouton **START** avant de fermer le capot. Si vous n'appuyez pas sur le bouton **START**, un signal sonore d'avertissement est émis et le produit ne démarre pas.

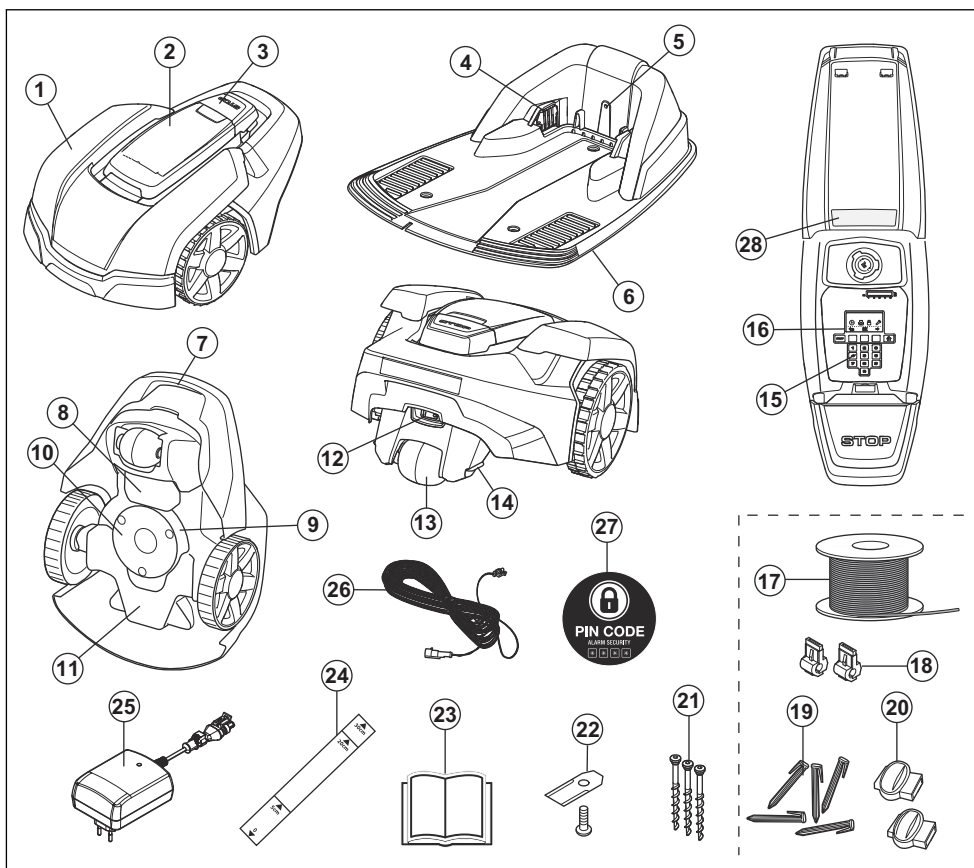
**Remarque:** Lorsque l'appareil est mis en marche pour la première fois, une séquence de démarrage commence, qui comprend un certain nombre de réglages de base importants ; reportez-vous à la section *Réglages de base* du manuel d'utilisation complet sur le site Web d'Husqvarna.

## 23.6 Retour à la station de charge

L'Automower® 305/310/315/315X/420/430X/440/450X peut être réglé afin de chercher la station de charge en utilisant au moins l'une des 3 méthodes suivantes : Le produit combine automatiquement ces 3 méthodes de

recherche afin de localiser la station de charge aussi rapidement que possible mais en évitant également autant que possible la formation de traînées. L'Automower® 105 suit toujours le câble guide jusqu'à la station de charge.

## 23.7 Présentation du produit Automower® 105



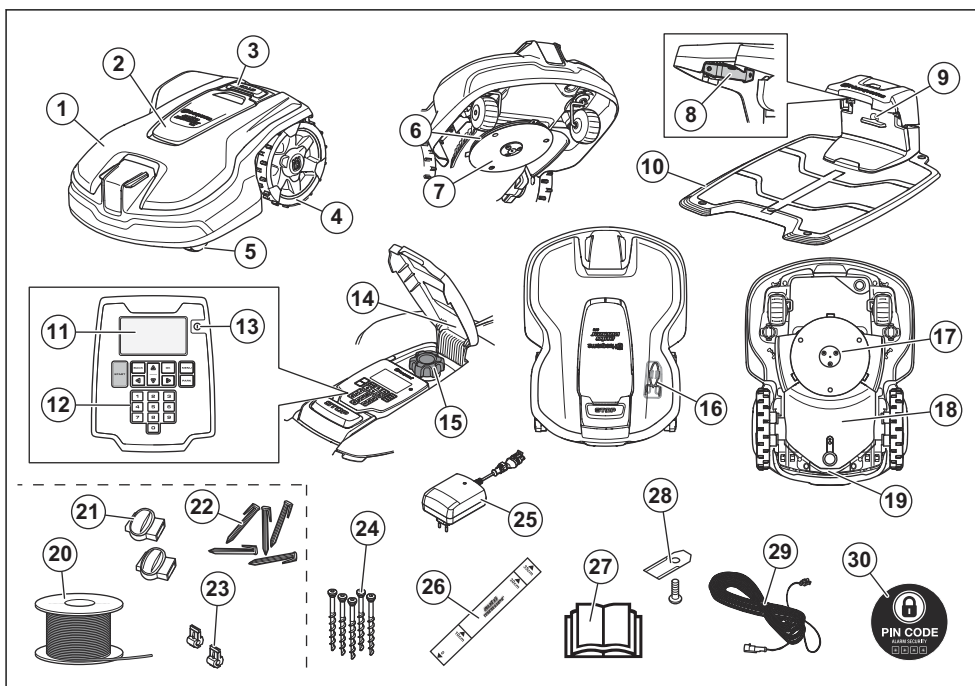
Les numéros sur la figure représentent :

1. Carrosserie
2. Capot de l'écran d'affichage, du clavier et du réglage de la hauteur de coupe
3. Bouton d'arrêt
4. Plaques de contact

5. Voyant de fonctionnement de la station de charge, du câble périphérique et du câble guide
6. Station de charge
7. Poignée
8. Capot de la batterie
9. Disque de coupe

- |  |  |
|--|--|
| 10. Plaque de protection   | 21. Vis pour fixation de la station de charge  |
| 11. Châssis contenant l'électronique, la batterie et les moteurs | 22. Lames  |
| 12. Interrupteur principal                                       | 23. Manuel d'utilisation et Guide d'installation rapide                                |
| 13. Roue arrière   | 24. Règle d'aide à la pose du câble périphérique (la règle est à détacher de la boîte) |
| 14. Plaques de charge  | 25. Alimentation électrique (l'aspect peut varier en fonction du marché)               |
| 15. Clavier  | 26. Câble basse tension  |
| 16. Écran d'affichage  | 27. Autocollant d'alarme   |
| 17. Boucle de câble pour le câble périphérique et le câble guide | 28. Plaque signalétique (y compris code d'identification du produit)                   |
| 18. Connecteurs de la boucle de câble                            |  |
| 19. Cavaliers  |  |
| 20. Raccords de câble  |  |

### 23.8 Présentation du produit Automower® 305

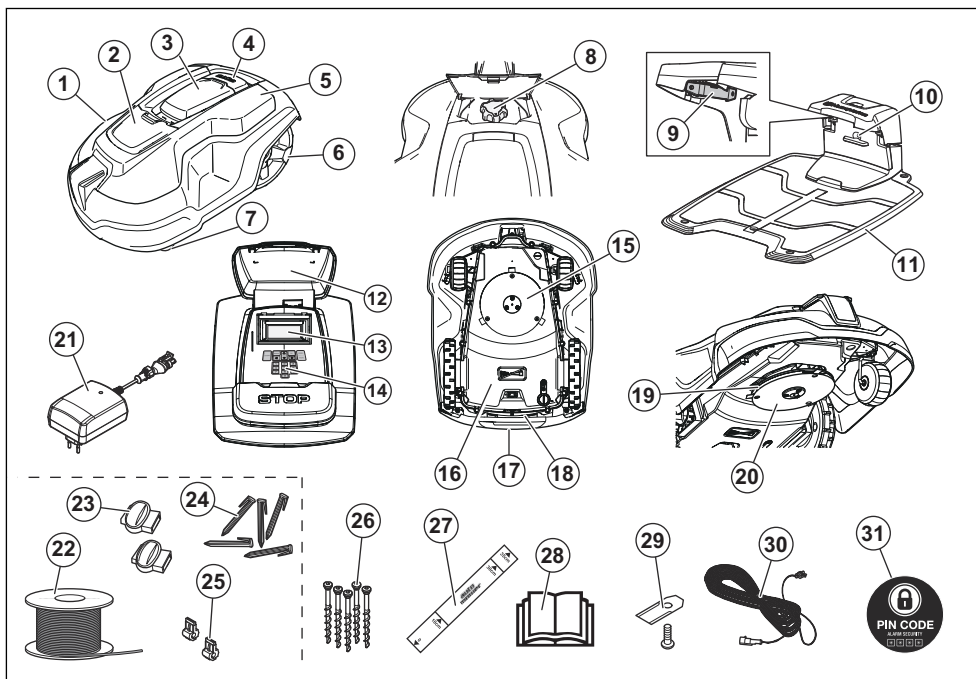


Les numéros sur la figure représentent :

- |  |                         |
|--|-------------------------|
| 1. Carrosserie   | 4. Roues arrière        |
| 2. Capot d'accès au clavier, écran d'affichage et réglage de la hauteur de coupe | 5. Roues avant          |
| 3. Bouton d'arrêt  | 6. Disque de coupe      |
|  | 7. Plaque de protection |
|  | 8. Plaques de contact   |

9. Voyant de fonctionnement de la station de charge et du câble périphérique
10. Station de charge
11. Écran d'affichage
12. Clavier
13. Bouton ON/OFF
14. Plaque signalétique (y compris code d'identification du produit)
15. Réglage de la hauteur de coupe
16. Outil d'entretien
17. Système de coupe
18. Châssis contenant l'électronique, la batterie et les moteurs
19. Poignée
20. Boucle de câble pour le câble périphérique et le câble guide <sup>43</sup>
21. Raccords de câble <sup>44</sup>
22. Cavaliers <sup>45</sup>
23. Connecteurs de la boucle de câble <sup>46</sup>
24. Vis pour fixation de la station de charge
25. Alimentation électrique (l'aspect peut varier en fonction du marché)
26. Règle d'aide à la pose du câble périphérique (la règle est à détacher de la boîte)
27. Manuel d'utilisation et Guide d'installation rapide
28. Lames supplémentaires
29. Câble basse tension
30. Autocollant d'alarme

### 23.9 Présentation du produit Automower® 310/315/315X



<sup>43</sup> Fait partie du kit d'installation qui a été acheté séparément.

<sup>44</sup> Fait partie du kit d'installation qui a été acheté séparément.

<sup>45</sup> Fait partie du kit d'installation qui a été acheté séparément.

<sup>46</sup> Fait partie du kit d'installation qui a été acheté séparément.



Les numéros sur la figure représentent :

1. Carrosserie
2. Capot de réglage de la hauteur de coupe
3. Capot d'accès à l'écran d'affichage et au clavier
4. Bouton d'arrêt
5. Capot repositionnable
6. Roues arrière
7. Roues avant
8. Réglage de la hauteur de coupe
9. Plaques de contact
10. Voyant de fonctionnement de la station de charge et du câble périphérique
11. Station de charge
12. Plaque signalétique (y compris code d'identification du produit)
13. Écran d'affichage
14. Clavier
15. Système de coupe
16. Châssis contenant l'électronique, la batterie et les moteurs
17. Poignée
18. Interrupteur principal
19. Disque de coupe
20. Plaque de protection
21. Alimentation électrique (l'aspect peut varier en fonction du marché)
22. Boucle de câble pour le câble périphérique et le câble guide <sup>47</sup>
23. Raccords de câble <sup>48</sup>
24. Cavaliers <sup>49</sup>
25. Connecteurs de la boucle de câble <sup>50</sup>
26. Vis pour fixation de la station de charge
27. Règle d'aide à la pose du câble périphérique (la règle est à détacher de la boîte)
28. Manuel d'utilisation et Guide d'installation rapide
29. Lames supplémentaires
30. Câble basse tension
31. Autocollant d'alarme

---

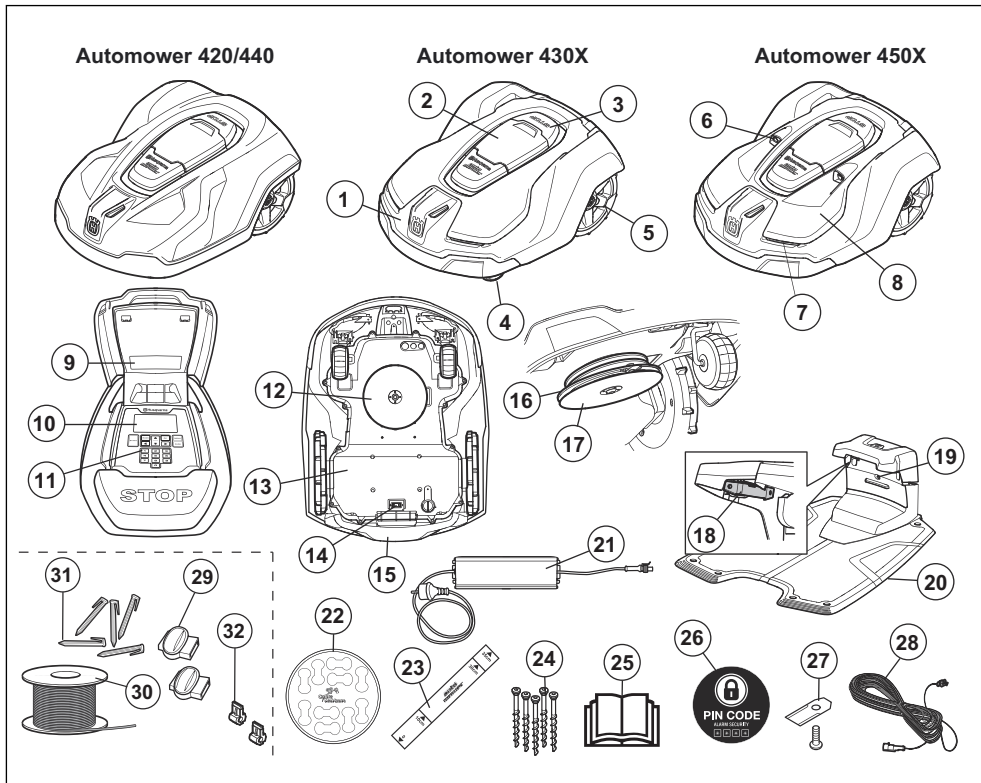
<sup>47</sup> Fait partie du kit d'installation qui a été acheté séparément.

<sup>48</sup> Fait partie du kit d'installation qui a été acheté séparément.

<sup>49</sup> Fait partie du kit d'installation qui a été acheté séparément.

<sup>50</sup> Fait partie du kit d'installation qui a été acheté séparément.

## 23.10 Présentation du produit Automower® 420/430X/440/450X



Les numéros sur la figure représentent :

- |   |  |
|---|--|
| 1. Carrosserie  | 13. Châssis contenant l'électronique, la batterie et les moteurs                       |
| 2. Capot d'accès à l'écran d'affichage et au clavier                | 14. Interrupteur principal   |
| 3. Bouton d'arrêt   | 15. Poignée  |
| 4. Roues avant  | 16. Disque de coupe  |
| 5. Roues arrière  | 17. Plaque de protection   |
| 6. Capteurs ultrasoniques   | 18. Plaques de contact   |
| 7. Phares   | 19. Voyant de fonctionnement de la station de charge et du câble périphérique          |
| 8. Capot repositionnable  | 20. Station de charge  |
| 9. Plaque signalétique (y compris code d'identification du produit) | 21. Alimentation électrique (l'aspect peut varier en fonction du marché)               |
| 10. Écran d'affichage   | 22. Marqueurs de câbles  |
| 11. Clavier   | 23. Règle d'aide à la pose du câble périphérique (la règle est à détacher de la boîte) |
| 12. Système de coupe  | 24. Vis pour fixation de la station de charge  |

25. Manuel d'utilisation et Guide d'installation rapide
26. Autocollant d'alarme
27. Lames supplémentaires
28. Câble basse tension
29. Raccords de câble <sup>51</sup>
30. Boucle de câble pour le câble périphérique et le câble guide <sup>52</sup>
31. Cavaliers <sup>53</sup>
32. Connecteurs de la boucle de câble <sup>54</sup>

### 23.11 Symboles concernant le produit

Ces symboles peuvent figurer sur le produit. Étudiez-les attentivement.



**ATTENTION** : lisez attentivement les instructions d'utilisation avant d'utiliser le produit.



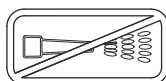
**ATTENTION** : désactivez le produit avant de travailler sur la machine ou de la soulever.



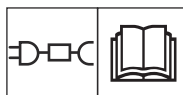
**ATTENTION** : maintenez une distance de sécurité entre la machine en fonctionnement et vous. maintenez les mains et les pieds à distance des lames en rotation.



**ATTENTION** : ne vous mettez ni debout, ni assis sur la machine. Ne placez jamais les mains ou les pieds en dessous ou à proximité de la machine.



Ne nettoyez jamais le produit avec un nettoyeur à haute pression ni à l'eau courante.



Utilisez une alimentation électrique amovible, telle que définie sur la plaque signalétique à côté du symbole.



Ce produit est conforme aux directives CE en vigueur.



Émissions sonores dans le milieu environnant. Les émissions de la machine sont indiquées au chapitre *Caractéristiques*

<sup>51</sup> Fait partie du kit d'installation qui a été acheté séparément.

<sup>52</sup> Fait partie du kit d'installation qui a été acheté séparément.

<sup>53</sup> Fait partie du kit d'installation qui a été acheté séparément.

<sup>54</sup> Fait partie du kit d'installation qui a été acheté séparément.

techniques à la page 101 et sur la plaque signalétique.



Ce produit ne doit pas être jeté avec les déchets ménagers. Veuillez à le recycler conformément aux directives légales locales.



Le châssis contient des composants qui sont sensibles aux décharges électrostatiques (ESD). Le châssis doit également être scellé de manière professionnelle. C'est pourquoi il ne doit être ouvert que par des techniciens d'entretien agréés. Un sceau rompu peut entraîner la non-validité de la totalité ou de certaines parties de la garantie.



Le câble basse tension ne peut pas être raccourci, rallongé ou épaissi.

N'utilisez pas de coupe-herbe à proximité du câble basse tension. Soyez prudent lors de la coupe de

bordures où se trouvent les câbles.

## 23.12 Symboles sur la batterie



Lisez les consignes d'utilisation.



Ne jetez pas la batterie dans le feu et n'exposez pas la batterie à une source de chaleur.



Ne plongez pas la batterie dans l'eau.

## 23.13 Instructions générales du manuel

Le système suivant est utilisé dans le manuel d'utilisation pour un usage plus simple :

- Le texte en *italique* correspond à un affichage sur l'écran du produit ou à une référence à une autre section du manuel d'utilisation.
- Le texte en **gras** fait référence aux touches du clavier du produit.
- Le texte en **LETTRES MAJUSCULES** et en *italique* fait référence aux différents modes de fonctionnement du produit.

---

## 24 Sécurité

---

### 24.1 Définitions de sécurité

Des avertissements, des recommandations et des remarques sont utilisés pour souligner des parties spécialement importantes du manuel.



**AVERTISSEMENT:** Symbole utilisé en cas de risque de blessures ou de mort pour l'opérateur ou les personnes à proximité si les instructions du manuel ne sont pas respectées.



**REMARQUE:** Symbole utilisé en cas de risque de dommages pour le produit, d'autres matériaux ou les environs si les instructions du manuel ne sont pas respectées.

**Remarque:** Symbole utilisé pour donner des informations supplémentaires pour une situation donnée.

---

## **24.1.1 IMPORTANT. À LIRE ATTENTIVEMENT AVANT UTILISATION. À CONSERVER POUR RÉFÉRENCE ULTÉRIEURE**

L'utilisateur est tenu pour responsable des accidents et des dangers auxquels il expose autrui ou des biens.

Cet appareil n'est pas destiné à une utilisation par des personnes (ou des enfants) aux capacités physiques, sensorielles ou mentales limitées (qui pourraient nuire à une manipulation sans danger du produit) ou manquant d'expérience et de connaissances, sauf si elles ont bénéficié de la surveillance ou des instructions concernant l'utilisation de l'appareil d'une personne responsable de leur sécurité.

Cet appareil peut être utilisé par des enfants âgés de 8 ans et plus, et des personnes ayant des handicaps physiques, sensoriels ou mentaux ou manquant d'expérience et de connaissances, à condition qu'ils bénéficient de la surveillance ou des instructions appropriées concernant l'utilisation de l'appareil en toute sécurité et qu'ils aient bien compris les risques encourus. Les réglementations locales peuvent limiter l'âge de l'utilisateur. Le nettoyage et les opérations d'entretien ne doivent pas être réalisés par des enfants sans surveillance.

Ne connectez jamais l'alimentation électrique à une prise si la fiche ou le fil est endommagé. Les fils usés ou endommagés augmentent le risque de choc électrique.

Ne chargez la batterie que dans la station de charge incluse. Une utilisation inappropriée peut provoquer un choc électrique, une surchauffe ou une fuite de liquide corrosif de la batterie. En cas de fuite d'électrolyte, rincez à l'eau/agent de neutralisation. Consultez immédiatement un médecin en cas de contact avec les yeux.

Utilisez uniquement les batteries d'origine recommandées par le fabricant. La sécurité du produit ne peut pas être garantie avec des

batteries autres que celles d'origine. N'utilisez pas de batteries non rechargeables.

L'appareil doit être déconnecté de l'alimentation secteur lors de la dépose de la batterie.



**AVERTISSEMENT:** le produit peut être dangereux s'il est mal utilisé.



**AVERTISSEMENT:** n'utilisez pas le produit lorsque des personnes, en particulier des enfants ou des animaux domestiques, se trouvent dans la zone de travail.



**AVERTISSEMENT:** Maintenez les mains et les pieds à distance des lames en rotation. Ne placez jamais les mains ou les pieds en dessous ou à proximité du produit lorsque le moteur tourne.

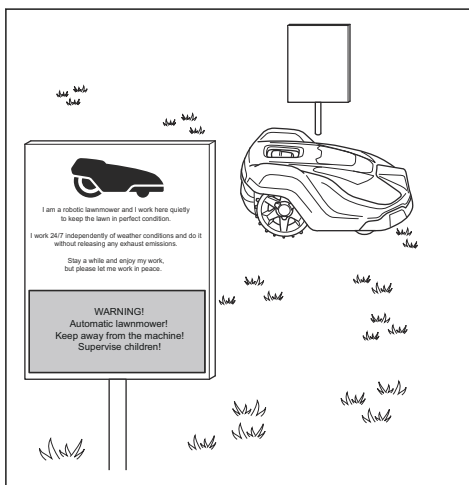


**AVERTISSEMENT:** En cas de blessure ou d'accident, consultez

immédiatement un médecin.

## 24.2 Utilisation

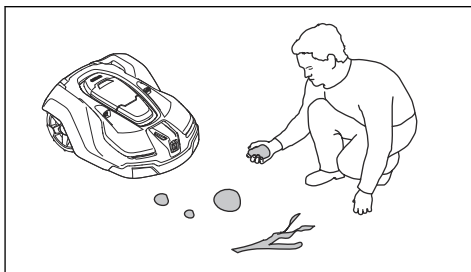
- Le produit ne doit être utilisé qu'avec les équipements recommandés par le fabricant. Toute autre utilisation est incorrecte. Les instructions du fabricant concernant l'utilisation, l'entretien et les réparations doivent être minutieusement respectées.
- Des panneaux d'avertissement doivent être placés autour de la zone de travail du produit s'il est utilisé dans des espaces publics. Les panneaux doivent comporter le texte suivant : **Attention ! Tondeuse automatique ! Maintenez les enfants à distance de la machine ! Surveillez les enfants !**



- Utilisez la fonction de **STATIONNEMENT** ou mettez le produit hors tension lorsque

des personnes, en particulier des enfants ou des animaux, se trouvent dans la zone de travail. Il est recommandé de programmer le produit pour une utilisation pendant les heures où personne ne se trouve dans la zone, par exemple la nuit. N'oubliez pas que certaines espèces, comme les hérissons, sont actives la nuit. Elles peuvent être blessées par le produit.

- Le produit ne peut être utilisé, entretenu et réparé que par des personnes parfaitement familiarisées avec ses caractéristiques spéciales et connaissant les consignes de sécurité. Lisez attentivement et assimilez le manuel d'utilisation avant d'utiliser le produit.
- Vous n'êtes pas autorisé à modifier la conception originale du produit. Toutes les modifications effectuées sont à vos risques et périls.
- Vérifiez qu'aucun corps étranger tel que des pierres, des branches, des outils ou des jouets ne se trouve sur la pelouse. Si les lames heurtent des corps étrangers, elles risquent d'être endommagées. Éteignez toujours le produit à l'aide de l'**interrupteur principal** ou du bouton **ON/OFF** avant de remédier à un blocage. Vérifiez que le produit n'est pas endommagé avant de le redémarrer.



- Si l'appareil commence à vibrer de façon anormale. Éteignez toujours le produit à l'aide de l'**interrupteur principal** ou du bouton **ON/OFF** et vérifiez qu'il n'est pas endommagé avant de le redémarrer.
- Mettez le produit en marche en suivant les instructions. Lorsque le produit est activé à l'aide du bouton **MARCHE/**

**ARRÊT** ou lorsque l'**interrupteur principal** est réglé en *position 1*, assurez-vous de garder les mains et les pieds à distance des lames en rotation. Ne placez jamais les mains ou les pieds en dessous du produit.

- Ne touchez jamais les pièces dangereuses en mouvement, telles que le disque de coupe, avant qu'elles ne soient complètement à l'arrêt.
- Ne soulevez ou ne portez jamais le produit lorsqu'il est sous tension.
- Ne laissez jamais le produit entrer en collision avec des personnes ou d'autres êtres vivants. Si une personne ou un autre être vivant se trouve sur la trajectoire du produit, celui-ci doit être immédiatement arrêté.
- Ne posez rien sur le produit ni sur sa station de charge.
- N'utilisez pas le produit si la protection, le disque de coupe ou la carrosserie sont défectueux. Ne l'utilisez pas non plus si les lames, les vis, les écrous ou les câbles sont défectueux. Ne branchez jamais ou n'appuyez jamais sur un câble endommagé avant que celui-ci soit déconnecté de l'alimentation.
- N'utilisez pas le produit si l'**interrupteur principal** ou le bouton **MARCHE/ARRÊT** ne fonctionne pas.
- Éteignez toujours le produit à l'aide de l'**interrupteur principal** ou du bouton **MARCHE/ARRÊT** lorsque vous ne l'utilisez pas. Le produit ne peut démarrer que si l'**interrupteur principal** est réglé en position *1*, ou si le bouton **MARCHE/ARRÊT** est allumé ainsi que le témoin. Il faut également saisir le code PIN correct pour que le produit démarre.
- Le produit ne doit jamais être utilisé en même temps qu'un arroseur. Utilisez la fonction *Programme* de façon à ne jamais faire fonctionner le produit et l'arroseur simultanément.
- Husqvarna ne garantit en aucun cas la compatibilité totale entre le produit et d'autres types de dispositif sans fil

comme des télécommandes, des transmetteurs radio, des boucles d'écoute, des clôtures électrifiées enterrées pour animaux ou autres.

- L'alarme intégrée est très forte. Soyez prudent, surtout si le produit est manipulé en intérieur.
- Les objets métalliques enterrés (par exemple le béton armé ou les filets anti-taupes) peuvent provoquer un arrêt du robot de tonte. En effet, ils peuvent être à l'origine d'interférences avec le signal boucle, ce qui peut se traduire par un arrêt du robot de tonte.
- La température de fonctionnement et de stockage est de 0-50 °C / 32-122 °F. La plage de température pour la recharge est de 0-45 °C / 32-113 °F. Une température trop élevée risque d'endommager le produit.

## 24.3 Consignes de sécurité relatives à l'utilisation de la batterie



**AVERTISSEMENT:** Les batteries lithium-ion peuvent exploser ou provoquer un incendie si elles sont démontées, court-circuitées, exposées à l'eau, au feu ou à des températures élevées. Manipulez avec précaution, ne démontez pas, n'ouvrez pas la batterie et n'appliquez aucun type d'abus électrique/mécanique. Stocker les batteries à l'abri des rayons directs du soleil.

Pour plus d'informations sur la batterie, reportez-vous à la section *Batterie à la page 97*

## 25 Installation

### 25.1 Connexion de l'alimentation électrique

Tenez compte des éléments suivants pour positionner l'alimentation électrique :

- À proximité de la station de charge
- À l'abri de la pluie
- À l'abri de la lumière directe du soleil



**AVERTISSEMENT:** Le produit doit être utilisé uniquement avec un bloc d'alimentation fourni par Husqvarna.

Quand vous connectez le branchement de l'alimentation électrique, utilisez uniquement une prise murale connectée à un interrupteur différentiel (RCD).



**AVERTISSEMENT:** risque de choc électrique. Installez uniquement un interrupteur différentiel (RCD) pour connecter l'alimentation électrique à la prise murale. Pour les ÉTATS-UNIS/le

CANADA : Utilisez uniquement une prise de courant GFCI de classe A (RCD) dotée d'un boîtier résistant aux intempéries dont le capuchon de la fiche est inséré ou retiré.



**AVERTISSEMENT:** Aucune pièce de l'alimentation électrique ne doit être changée ou modifiée. Le câble basse tension ne doit pas être raccourci ni rallongé.

Des câbles basse tension de différentes longueurs sont disponibles en tant qu'accessoires.

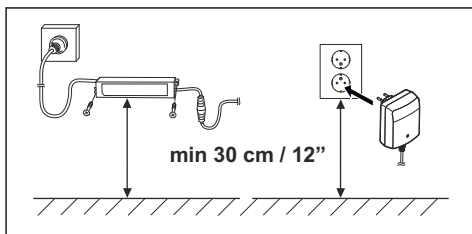


**AVERTISSEMENT:** Le câble d'alimentation électrique et le câble de rallonge doivent se trouver hors de la zone de travail pour éviter d'endommager les câbles.





**AVERTISSEMENT:** Ne montez jamais l'alimentation électrique à une hauteur présentant un risque de submersion dans l'eau ; placez-la à au moins 30 cm/12" du sol. Il est interdit de placer l'alimentation électrique sur le sol.



**AVERTISSEMENT:** Utilisez la fiche pour déconnecter la station de charge, par exemple avant nettoyage de la station de charge ou réparation de la boucle de câble.



**AVERTISSEMENT:** Placez le câble basse tension et réglez la hauteur de coupe de sorte que les lames du disque de coupe ne soient jamais en contact avec le câble.



**AVERTISSEMENT:** Afin de réduire le risque d'endommager les composants électriques, déconnectez tous les branchements de la station de charge (alimentation électrique, câble périphérique et câbles guides) en cas de risque d'orage.



**AVERTISSEMENT:** N'enfermez pas le bloc d'alimentation. De l'eau de condensation peut endommager le bloc d'alimentation et augmenter le risque de choc électrique.

Pour plus d'instructions concernant la méthode d'installation correcte, reportez-vous au chapitre *Installation* du manuel d'utilisation complet sur le site Web [www.husqvarna.com](http://www.husqvarna.com) d'Husqvarna.

## 25.2 Panneau de commande

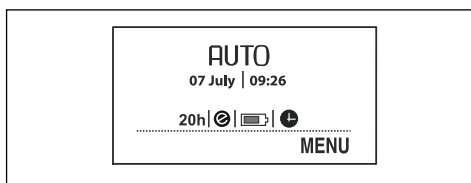
Toutes les commandes et tous les réglages du produit sont effectués à partir du panneau de commande. Toutes les fonctions sont accessibles via un certain nombre de menus.

Le panneau de commande est constitué d'un écran d'affichage et d'un clavier. Toutes les informations s'affichent sur l'écran d'affichage et toutes les saisies sont effectuées à l'aide des boutons.

**Remarque:** Les messages affichés à l'écran sont en anglais dans le manuel, mais s'affichent sur l'écran du produit dans la langue sélectionnée.

## 25.3 Écran d'affichage d'Automower® 105

Si le bouton **STOP** est actionné et que le capot est ouvert, la fenêtre de fonctionnement affiche l'heure le mode de fonctionnement sélectionné, le nombre d'heures de tonte, l'état de la batterie et le réglage de la minuterie.

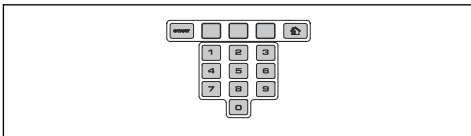


- L'horloge indique l'heure actuelle.
- La date indique le jour en cours.
- Le nombre d'heures de fonctionnement indique le nombre d'heures de fonctionnement du produit depuis la date de fabrication. Le temps de fonctionnement du produit regroupe la durée de ses tontes et la durée de ses recherches de la station de charge.
- *AUTO*, *MAN* et *HOME* indiquent le mode de fonctionnement choisi.

- L'état de la batterie indique le niveau de batterie restant.
- Le symbole ECO s'affiche si le produit est en *mode ECO*.
- Le symbole horloge indique que la minuterie a été réglée. Le symbole horloge s'affiche en noir si le produit n'est pas autorisé à tondre du fait d'un réglage de minuterie.
- *MENU* indique qu'il est possible d'atteindre le menu principal en appuyant sur le bouton à **choix multiples** situé sous le texte.

## 25.4 Clavier Automower® 105

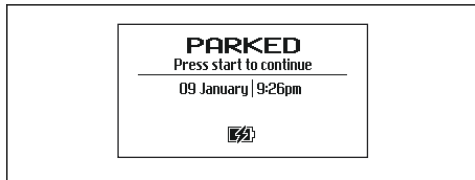
Le clavier se compose de 4 groupes de touches :



- Le bouton **START** sert à activer le produit. C'est normalement le dernier bouton actionné avant de fermer le capot.
- Les 3 boutons à **choix multiples** offrent diverses fonctions, selon l'endroit où vous situez dans la structure du menu.
- Le **clavier numérique** permet notamment de saisir le code PIN ou de régler l'heure.
- Le bouton de **sélection du mode de fonctionnement** est symbolisé par une maison. Une fois que vous avez appuyé sur le bouton, le mode de fonctionnement choisi s'affiche sur l'écran.

## 25.5 Écran d'affichage d'Automower® 305/310/315/315X/420/430X/440/450X

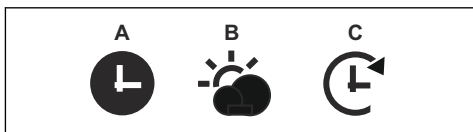
Une fois le bouton **STOP** enfoncé et la trappe ouverte, la page de démarrage affiche les informations suivantes :



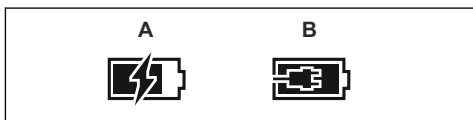
- Informations de fonctionnement, par ex. *PRÊT, EN TONTE, STATIONNEMENT* ou *MINUTERIE*. *PRÊT* s'affiche si le produit n'est pas dans un mode de fonctionnement précis, par ex. si le produit vient d'être actionné. Si vous appuyez sur le bouton **STOP** le produit affiche l'action qu'il effectuait avant d'être arrêté, par ex. *EN TONTE* ou *RECHERCHE*.
- La date et l'heure indiquent l'heure actuelle.
- Pour Automower® 315X/430X/450X : Le symbole du satellite indique que la navigation-GPS est activée. Le symbole (A) indique que le produit est entré en contact avec suffisamment de satellites GPS. Le symbole (B) indique que le produit n'est pas entré en contact avec suffisamment de satellites GPS. Lors des premiers jours de fonctionnement du produit, le symbole (A) clignote, car il collecte des informations GPS sur l'installation.



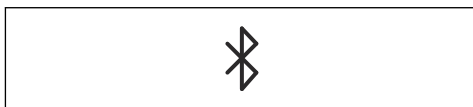
- Le symbole ECO s'affiche si le produit est en *mode ECO*.
- Le symbole horloge noir (A) s'affiche lorsque le produit n'est pas autorisé à tondre du fait d'un réglage de *Minuterie*. Si le produit n'est pas autorisé à tondre en raison de la *Minuterie adaptative (météo)*, le symbole (B) s'affiche. Si le mode de fonctionnement *Suspendre la minuterie* est sélectionné, le symbole (C) s'affiche.



- L'état de la batterie indique le niveau de batterie restant. Si le produit est en charge, un voyant clignote également au-dessus du symbole (A) de la batterie. Le symbole (B) indique que le produit est placé sur la station de charge mais n'est pas en charge.

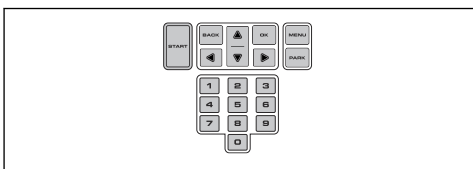


- Le réglage de la hauteur s'affiche sous forme de valeur numérique/d'échelle.
- Pour Automower® Connect@Home (reportez-vous à *Automower® Connect@Home à la page 95*) : Une icône pour les communications sans fil Bluetooth® s'affiche sur l'écran du produit lorsque la connexion avec votre appareil mobile est établie.



## 25.6 Clavier Automower® 305/310/315/315X/420/430X/440/450X

Le clavier se compose de 6 groupes de touches :



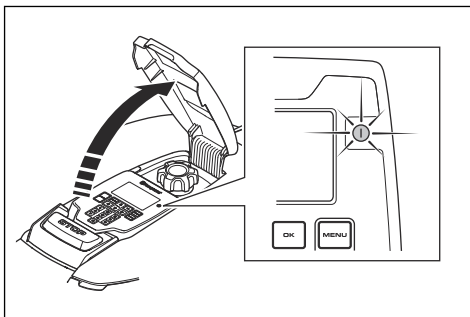
- Le bouton **START** sert à activer le produit. C'est normalement le dernier bouton actionné avant de fermer le capot.
- Les boutons **BACK** et **OK** servent à naviguer dans le menu. Le bouton **OK** sert aussi à confirmer les réglages dans le menu.

- Les boutons **fléchés** permettent de naviguer dans le menu mais aussi de sélectionner certaines options de réglage.
- Le bouton **MENU** permet d'accéder au menu principal.
- Le bouton **PARK** sert à envoyer le produit vers la station de charge.
- Le **clavier numérique** sert à saisir des réglages, par exemple le code PIN, l'heure ou la direction de sortie.

## 25.7 Témoin Automower® 305

Le voyant sur le bouton **ON/OFF** est un important indicateur d'état :

- Le produit est actif si le voyant s'allume en continu.
- Le produit est en mode veille si le témoin clignote. Cela signifie que l'utilisateur doit appuyer sur le bouton **ON/OFF** pour que le produit soit de nouveau actif.
- Le produit est désactivé lorsque le témoin est éteint.



**AVERTISSEMENT:** il n'est possible d'effectuer un contrôle ou des travaux d'entretien sur le produit que lorsqu'il est désactivé. Le produit est désactivé lorsque la lampe sur le bouton **ON/OFF** n'est pas allumée.

## 25.8 Structure du menu

Le menu principal du modèle Automower® 105 propose 4 options. L'Automower® 310 dispose de 6 options et l'Automower® 305/315/315X en a 7. Le menu principal du

modèle Automower® 420/430X/440/450X propose 8 options.

## 25.9 Sous-menus

Il existe plusieurs sous-menus par option. Ces sous-menus vous permettent d'accéder à toutes les fonctions permettant de définir les réglages du produit.

Lorsque des options de certains sous-menus sont cochées sur le côté gauche, cela signifie que ces options sont sélectionnées. Cochez ou décochez la case en appuyant sur le bouton **OK**.

## 25.10 Naviguer entre les menus

Parcourez le menu principal et les sous-menus à l'aide des boutons **multichoix** (Automower® 105) ou des boutons **fléchés** (Automower® 305/310/315/315X/420/430X/440/450X). Saisissez les valeurs et les heures à l'aide du **clavier numérique** et confirmez chaque sélection à l'aide du bouton **multichoix** indiqué **OK**. Appuyez sur **BACK** pour remonter d'un niveau dans le menu ou maintenez le bouton **HOME** (Automower® 105) ou **MENU** (Automower® 305/310/315/315X/420/430X/440/450X) enfoncé pendant 2 secondes pour accéder directement au menu principal.

## 25.11 Menu principal



### *Minuterie*

Pour un résultat de tonte optimal, ne tondez pas trop souvent votre pelouse. Il est par conséquent, important de limiter le temps de fonctionnement à l'aide de la fonction *Minuterie* si la zone de travail est inférieure à la capacité de travail du produit. La fonction *Minuterie* constitue également un moyen idéal pour définir les périodes pendant lesquelles le produit ne doit pas fonctionner, par exemple quand les enfants jouent sur la pelouse.



### *Hauteur de coupe*

Applicable pour l'Automower® 420/430X/440/450X

La hauteur de coupe peut varier de MIN (1) à MAX (9). Pendant la première semaine qui suit l'installation, la hauteur de coupe doit être réglée sur MAX pour ne pas endommager la boucle du câble. La hauteur de coupe peut ensuite être réduite progressivement toutes les semaines jusqu'à ce que la hauteur souhaitée soit atteinte.



### *Sécurité*

Ce menu permet de configurer les réglages de sécurité et la connexion entre le produit et la station de charge. Il existe 3 niveaux de sécurité parmi lesquels : *Bas*, *Moyen*, *Haut*.



### *Messages*

Applicable pour l'Automower® 305/310/315/315X/420/430X/440/450X

Des messages d'historique, informatifs et d'erreur peuvent être lus dans ce menu. Pour les messages d'erreur les plus courants, il existe des astuces et des conseils à suivre pour résoudre le problème.



### *Minuterie adaptative (météo)*

Applicable pour l'Automower® 305/315/315X/420/430X/440/450X

Cette fonction permet au produit d'ajuster automatiquement ses temps de tonte en fonction de la vitesse de croissance de l'herbe. Lorsque la météo favorise la pousse de l'herbe, le produit tond

plus souvent, tandis que, lorsque l'herbe pousse moins vite, le produit passe automatiquement moins de temps sur la pelouse.



### Installation

Cette fonction de menu sert à personnaliser l'installation. Pour beaucoup de zones de tonte, il n'est pas nécessaire de modifier les réglages d'usine, mais en fonction de la complexité de la pelouse, le résultat de tonte peut être amélioré en procédant à des réglages manuels.



### Réglages

Cette sélection vous permet de modifier les réglages généraux du produit, tels que la date et l'heure. Vous pouvez également activer ou désactiver le *mode ECO* et la

*Tonte en spirale* ou enregistrer vos paramètres dans différents *Profils* (Automower® 305/315/315X/420/430X/440/450X uniquement). Husqvarna recommande de laisser le *mode ECO* activé afin d'économiser de l'énergie et d'éviter les interférences avec d'autres équipements.



### Accessoires

Applicable pour l'Automower® 305/310/315/315X/420/430X/440/450X

Ce menu gère les paramètres des accessoires du produit, par exemple Automower® Connect ou Automower® Connect@Home. Contactez votre représentant Husqvarna local pour savoir quels accessoires sont disponibles pour votre produit.

---

## 26 Utilisation

---

### 26.1 Pour allumer, arrêter et éteindre le produit

- Le produit peut démarrer uniquement s'il est allumé et si le code PIN correct a été saisi. Automower® 305 Pour allumer l'Automower® 305, appuyez sur le bouton **ON/OFF** pendant 3 secondes et vérifiez que le témoin est allumé. Pour allumer tous les autres modèles, réglez l'**interrupteur principal** sur 1.
- Pour arrêter le produit, appuyez sur le bouton **STOP** sur le dessus du produit. Le produit s'arrête et le moteur de coupe s'arrête.
- Automower® 305 Pour éteindre l'Automower® 305, appuyez sur le bouton **ON/OFF** pendant 3 secondes et vérifiez que le témoin n'est pas allumé. Pour éteindre tous les autres modèles, l'**interrupteur principal** est en position 0.

### 26.2 Mode de fonctionnement de l'Automower® 105

Appuyez sur le bouton **Sélection du mode de fonctionnement** 1 à 3 fois pour sélectionner le mode de fonctionnement. Vous pouvez choisir entre 3 modes de fonctionnement.

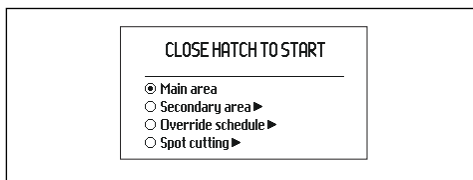
- *HOME*. Envoie le produit vers la station de charge. Il reste jusqu'à ce qu'un autre mode de fonctionnement soit choisi. Lorsque la batterie est complètement chargée, le produit ne quitte pas la station de charge, puis ne recommence à tondre qu'une fois le mode de fonctionnement défini à nouveau sur *AUTO*.
- *AUTO*. Mode de fonctionnement automatique standard dans lequel le produit tond et se charge automatiquement.
- *MAN*. Le réglage *MAN* doit être utilisé pour la tonte de zones secondaires. Si

*MAN* est sélectionné et que le produit se met en route sur la pelouse, il tond jusqu'à ce que la batterie soit déchargée. Il s'arrête ensuite et le message « Nécessite une recharge manuelle » s'affiche. Le produit doit être reconduit à la station de charge et démarré manuellement une fois la batterie rechargée. Si le produit charge en mode *MAN*, il se recharge complètement, sort de la station de charge, parcourt environ 20 cm/8" puis s'arrête. Cela indique qu'il est chargé et prêt à tondre.

### 26.3 Mode de fonctionnement, DÉMARRER Automower® 305/310/315/315X/420/430X/440/450X

Appuyez sur le bouton **START** pour sélectionner l'un des modes de fonctionnement suivants :

- *Zone principale* : mode de fonctionnement standard dans lequel le produit tond et se charge automatiquement.



- *Zone secondaire* : ce réglage doit être choisi pour la tonte de zones secondaires.

En mode *Zone secondaire*, l'utilisateur doit déplacer le produit manuellement entre la zone principale et la zone secondaire. Le produit tond jusqu'à ce que la batterie soit vide. Lorsque la batterie est chargée, le produit sort de la station de charge et s'arrête. Le produit est maintenant prêt pour commencer l'opération, mais doit recevoir la confirmation de l'utilisateur.

**Remarque:** Si vous souhaitez tondre la zone principale une fois que la batterie est chargée,

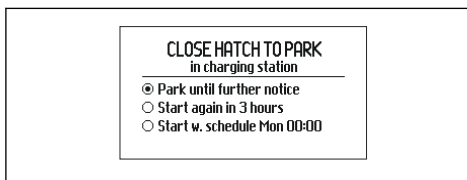
réglez le produit en mode *Zone principale* avant de le placer dans la station de charge.

- *Suspendre la minuterie* : tous les réglages de la *Minuterie* peuvent être temporairement suspendus en sélectionnant *Suspendre la minuterie*. Il est possible de suspendre la *Minuterie* pendant 24 h ou 3 jours.
- *Point de tonte* : (Non applicable pour l'Automower® 310). Le produit fonctionne en spirale pour couper l'herbe là où elle a été moins coupée que d'autres parties de la pelouse.

La fonction *Point de tonte* est activée avec le bouton **START**. Vous pouvez sélectionner le mode de fonctionnement du produit une fois la tonte terminée en appuyant sur la **flèche droite** puis en sélectionnant *Zone principale* ou *Zone secondaire*.

### 26.4 Mode de fonctionnement, STATIONNEMENT Automower® 305/310/315/315X/420/430X/440/450X

Appuyez sur le bouton **PARK** pour sélectionner l'un des modes de fonctionnement suivants :



- *Park jusqu'à nouvel ordre* : Le produit reste dans la station de charge tant qu'un autre mode de fonctionnement n'est pas sélectionné via le bouton **START**.
- *Redémarrage dans 3 heures* : Le produit reste dans la station de charge pendant trois heures, puis retourne automatiquement au fonctionnement normal. Ce mode de fonctionnement convient lorsqu'il est nécessaire d'interrompre le fonctionnement, par ex. pour un arrosage temporaire ou pour que des enfants jouent sur la pelouse.

- *Park jusqu'à la prochaine minuterie* : Le produit reste dans la station de charge jusqu'à ce que le prochain réglage de minuterie autorise le fonctionnement. Ce mode de fonctionnement convient si vous souhaitez annuler un cycle de tonte en cours et permettre au produit de rester dans la station de charge jusqu'au lendemain. Cette option ne s'affiche pas si aucun réglage de minuterie n'a été fait.

## 26.5 Connectivité

Vous pouvez communiquer avec votre produit via l'application mobile Automower® Connect. Automower® Connect est disponible pour votre appareil mobile et votre tablette (Apple ou Android). Lorsque Automower® Connect est activé, de nouvelles icônes s'affichent sur l'écran du produit. Pour plus d'informations, reportez-vous au manuel d'utilisation complet.

**Remarque:** Tous les pays ne prennent pas en charge Automower® Connect en raison de fondements légaux et de systèmes cellulaires régionaux spécifiques. Le service à vie inclus Automower® Connect s'applique uniquement si un fournisseur tiers de 2G/3G/4G est disponible dans la zone d'utilisation. Dans certains pays, Bluetooth® n'est pas disponible en raison de fondements légaux.

### 26.5.1 Automower® Connect

Automower® Connect est inclus dans l'Automower® 315X/430X/450X et disponible en accessoire pour l'Automower® 305/310/315/420/440.

Automower® Connect relie le système de menu à votre appareil mobile, ce qui facilite la lecture et le changement des paramètres du produit à distance. Grâce à cette application, vous pouvez recevoir l'état actuel de votre produit et transmettre des commandes au produit depuis n'importe où dans le monde. En cas de vol, une alarme vous prévient et vous permet de localiser votre produit.

### 26.5.2 Automower® Connect@Home

Inclus dans l'Automower® 305/310/315/315X/420/430X/440/450X.

Automower® Connect@Home utilise une technologie sans fil à courte portée Bluetooth®, wireless technology. Cela signifie que vous pouvez établir une communication entre le smartphone et le produit tant que vous êtes à portée de communication. Une icône pour les communications Bluetooth s'affiche sur l'écran du produit lorsque la connexion avec votre smartphone est établie.

**Remarque:** Automower® Connect@Home offre des fonctionnalités similaires mais pas aussi étendues que l'Automower® Connect et utilise la même application.

### 26.5.3 Démarrage

Téléchargez l'application Automower® Connect (également applicable à l'Automower® Connect@Home) depuis l'AppStore ou GooglePlay. Une fois l'application téléchargée, vous pouvez spécifier une adresse e-mail et un mot de passe pour créer un compte. Vous recevrez un e-mail de validation à l'adresse que vous avez spécifiée. Suivez les instructions contenues dans l'e-mail dans les 24 heures pour valider votre compte. Passé ce délai, vous devrez recréer votre compte. Une fois le compte créé dans l'application, vous pouvez appairer le produit avec votre smartphone.

### 26.5.4 Appairer avec Automower® Connect

Sélectionnez la fonction *Accessoires > Automower Connect > Appairage > Nouvel appairage*. Lorsque l'application vous invite à le faire, entrez le code à 6 chiffres qui apparaît sur l'écran du produit. Saisissez également le nom du produit que vous avez choisi dans l'application. Automower® Connect est toujours connecté à votre produit tant que l'appareil mobile est en contact avec le réseau mobile et que le produit est chargé et allumé.

### 26.5.5 Appairer avec Automower® Connect@Home

Activez la communication sans fil Bluetooth® sur votre smartphone. Sélectionnez la fonction *Accessoires > Connect@Home > Nouvel appairage* et suivez les instructions de l'application. Une fois votre produit et votre

smartphone appairés, ils se connecteront chaque fois que vous serez à portée. Si vous souhaitez vous connecter au produit sans avoir de compte, vous pouvez toujours utiliser Automower® Connect@Home en sélectionnant Automower® Direct sur l'écran de démarrage de l'application.

## 26.6 Réglage de la hauteur de coupe

Si l'herbe est haute, laissez le produit commencer par tondre à la hauteur de coupe MAX. Une fois l'herbe plus courte, vous pouvez abaisser progressivement la hauteur de coupe.

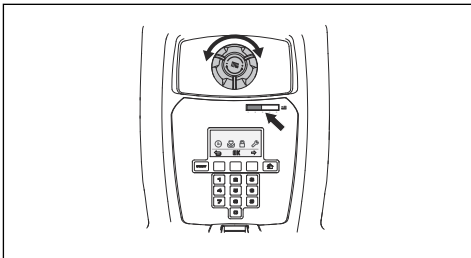


**REMARQUE:** Pendant la première semaine qui suit l'installation, la hauteur de coupe doit être réglée sur MAX pour éviter d'endommager la boucle du câble. La hauteur de coupe peut ensuite être réduite progressivement toutes les semaines jusqu'à ce que la hauteur souhaitée soit atteinte.

### 26.6.1 Automower® 105

La hauteur de coupe peut varier de MIN (2 cm / 0.8") à MAX (5 cm / 2.0"). Pour régler la hauteur de coupe :

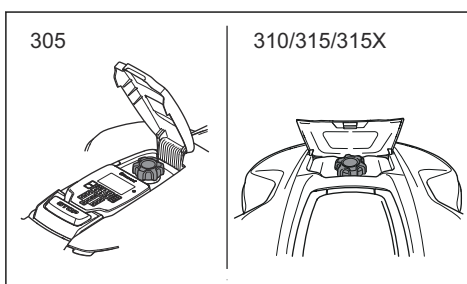
1. Appuyez sur le bouton **STOP** pour arrêter le produit. Ouvrez ensuite le capot.
2. Tournez le bouton de réglage de la hauteur dans la position souhaitée. La position choisie est indiquée par la colonne orange, sur l'indicateur de réglage de la hauteur.



### 26.6.2 Automower® 305/310/315/315X

La hauteur de coupe peut varier de MIN (2 cm / 0.8") à MAX (6 cm / 2.4") en 9 étapes.

1. Appuyez sur le bouton **STOP** pour arrêter le produit et ouvrez le capot de réglage de la hauteur de coupe.
2. Tournez le bouton dans la position souhaitée. Tournez dans le sens des aiguilles d'une montre pour augmenter et dans le sens contraire pour diminuer la hauteur de coupe. La flèche s'aligne sur la position sélectionnée marquée sur la carrosserie.



### 26.6.3 Automower® 420/430X/440/450X

La hauteur de coupe peut varier de MIN à MAX en 9 étapes.

1. Appuyez sur le bouton **STOP** pour arrêter le produit, puis ouvrez le capot.
2. Appuyez sur le bouton **MENU** pour accéder au menu principal.
3. Déplacez le curseur à l'aide des **boutons fléchés haut et bas** pour sélectionner *Hauteur de coupe* dans le menu.
4. Appuyez sur **OK**.
5. Augmentez ou diminuez la hauteur de coupe à l'aide des boutons **fléchés**.



---

## 27 Entretien

---

### 27.1 Nettoyage

Pour un meilleur fonctionnement et une plus grande longévité, inspectez et nettoyez régulièrement le produit et remplacez les pièces usées. Le produit ne fonctionne pas de manière satisfaisante dans les pentes si les roues sont bloquées par de l'herbe. Utilisez une brosse douce pour nettoyer le produit.

Husqvarna propose un kit de nettoyage et d'entretien spécial dans ses accessoires. Contactez votre représentant Husqvarna local.



**AVERTISSEMENT:** portez des gants de protection.

---



**AVERTISSEMENT:** Mettez le produit hors tension à l'aide de l'**interrupteur principal** ou du bouton **ON/OFF** lorsque vous retournez le produit.

Mettez le produit hors tension durant tout le temps d'intervention sur le châssis, comme lors du nettoyage ou du remplacement des lames.

---



**AVERTISSEMENT:** Utilisez la fiche pour débrancher la station de charge avant toute opération d'entretien ou de nettoyage de la station de charge ou du bloc d'alimentation.

---



**REMARQUE:** Appuyez sur le bouton **STOP** et tirez sur le produit pour le sortir de la station de charge avant de le soulever. Ne soulevez pas le produit lorsqu'elle est garé dans la station de charge. Cela peut endommager la station de charge et/ou le produit.

---

### 27.1.1 Nettoyage de Automower® 105/310/315/315X/420/430X/440/450X



**REMARQUE:** N'utilisez pas de nettoyeur haute pression ni d'eau courante pour nettoyer le produit. N'utilisez pas de solvants pour nettoyer le produit.

---

### 27.1.2 Nettoyage de Automower® 305

Nettoyez le produit à l'aide d'une brosse ou d'eau courante à l'aide d'un tuyau d'eau.



**REMARQUE:** N'utilisez pas de nettoyeur haute pression pour nettoyer le produit. N'utilisez pas de solvants pour nettoyer le produit.

---

### 27.2 Batterie



**AVERTISSEMENT:** chargez le produit uniquement avec une station de charge et un bloc d'alimentation prévus à cet effet. Une utilisation inappropriée peut provoquer un choc électrique, une surchauffe ou une fuite de liquide corrosif de la batterie. En cas de fuite d'électrolyte, nettoyez avec de l'eau et consultez un médecin en cas de contact avec les yeux, etc.

---



**AVERTISSEMENT:** utilisez uniquement les batteries d'origine recommandées par le fabricant. La sécurité du produit ne peut pas être garantie avec d'autres batteries. N'utilisez pas de batteries non rechargeables.

---



**REMARQUE:** La batterie doit être chargée complètement avant le stockage hivernal. Si la batterie n'est pas complètement chargée, cela pourrait l'endommager ou la rendre inutilisable.

Le temps de charge peut varier, entre autres, en fonction de la température ambiante.

Les indices ci-dessous indiquent que la batterie vieillit et doit être éventuellement remplacée :

- La durée de fonctionnement du produit est plus courte que la normale entre les charges. Cela conduit à des cycles de charge plus nombreux que la normale, ce qui augmente le risque de formation de traînées à proximité de la station de charge.
- Le produit est retrouvé sur la pelouse avec le message *Batterie vide*. Ceci indique que la batterie du produit n'a pas la capacité suffisante pour trouver la station de charge.

La batterie reste opérationnelle tant que le produit maintient une pelouse bien taillée.

**Remarque:** La durée de vie de la batterie dépend de la durée de la saison et du nombre d'heures de fonctionnement du produit par jour. Une longue saison ou de nombreuses heures d'utilisation par jour impliqueront de remplacer la batterie plus souvent.

Contactez votre représentant Husqvarna local pour remplacer la batterie.

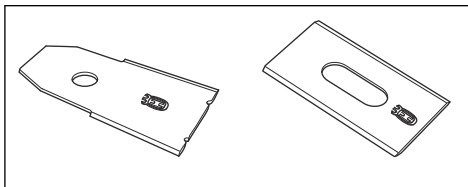
### 27.3 Remplacement des lames



**AVERTISSEMENT:** Utilisez des lames et des vis adaptées. Husqvarna ne garantit la sécurité que pour l'utilisation des lames

d'origine. Si vous ne remplacez que les lames et réutilisez la vis, la vis peut s'user lors de la tonte. Les lames peuvent alors être projetées depuis la partie inférieure de la carrosserie et causer des blessures graves.

Par mesure de sécurité, remplacez les pièces usées ou endommagées. Même si elles sont intactes, les lames doivent être remplacées régulièrement afin d'optimiser le résultat de tonte et de minimiser la consommation d'énergie. Les 3 lames et vis doivent être remplacées en même temps pour que le système de coupe reste équilibré. Utilisez des lames d'origine Husqvarna sur lesquelles le logo avec le H couronné est estampé, reportez-vous à la section *Conditions de garantie* à la page 111.



### 27.4 Pour remplacer les lames

1. Mettez le produit hors tension à l'aide de l'**interrupteur principal** ou du bouton **ON/OFF**.
2. Retournez le produit. Placez le produit sur une surface souple et propre pour éviter de rayer le châssis et le capot.
3. Tournez la plaque de protection de manière à aligner ses trous et les vis de la lame.
4. Retirez les 3 vis. Utilisez un tournevis plat ou cruciforme.
5. Retirez chaque lame et vis.
6. Fixez les nouvelles lames et vis.
7. Vérifiez que les lames bougent librement.

---

## 28 Dépannage

---

### 28.1 Dépannage

En cas de dysfonctionnement, un message d'erreur s'affiche à l'écran. Pour des informations plus détaillées sur les messages, reportez-vous au manuel d'utilisation complet sur le site Web d'Husqvarna ([www.husqvarna.com](http://www.husqvarna.com)). Si le même message s'affiche fréquemment ou que vous ne parvenez toujours pas à trouver l'origine du problème, contactez votre représentant Husqvarna local.

Les coupures de la boucle de câble sont généralement le résultat de dégâts physiques accidentels sur le câble, provoqués par exemple par le jardinage avec une pelle. Les coupures peuvent aussi être dues à une tension excessive du câble pendant l'installation. La coupure d'un câble peut être localisée en diminuant graduellement de moitié la longueur de la boucle où la panne peut se trouver, jusqu'à ce qu'il ne reste qu'une partie très courte du câble. Reportez-vous au manuel d'utilisation complet sur le site Web d'Husqvarna ([www.husqvarna.com](http://www.husqvarna.com)).

#### 28.1.1 Voyant de la station de charge

Le voyant de la station de charge doit émettre une lumière verte fixe ou clignotante pour indiquer que l'installation est totalement fonctionnelle. Si ce n'est pas le cas, suivez le guide de dépannage ci-dessous.

Vous trouverez une aide plus approfondie sur [www.husqvarna.com](http://www.husqvarna.com). Si vous avez besoin d'une aide supplémentaire, contactez votre représentant Husqvarna local.

Voyant	Cause	Action
<i>Lumière verte fixe</i>	Signaux OK	Aucune action requise
<i>Lumière verte clignotante</i>	Signaux OK et <i>mode ECO</i> activé.	Aucune action requise.
<i>Lumière bleue clignotante</i>	Le câble périphérique n'est pas raccordé à la station de charge.	Vérifiez si les connecteurs du câble périphérique sont correctement montés sur la station de charge.
	Coupure du câble périphérique.	Trouvez l'emplacement de la coupure du câble. Remplacez la partie endommagée de la boucle par un nouveau câble et utilisez un raccord d'origine pour la rallonger.
<i>Lumière rouge clignotante</i>	Interruption du signal de l'antenne de la station de charge.	Contactez votre représentant Husqvarna local.
<i>Lumière rouge fixe</i>	Défaut de la carte électronique ou mauvaise alimentation électrique au niveau de la station de charge. Ce problème doit être pris en charge et réglé par un technicien d'entretien agréé.	Contactez votre représentant Husqvarna local.

## 29 Transport, entreposage et mise au rebut

### 29.1 Transport

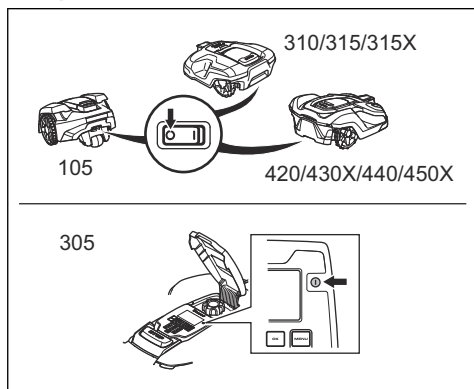
Les batteries Li-ion fournies respectent les exigences de la législation sur les marchandises dangereuses.

- Respectez les lois nationales en vigueur.
- Vous devez respecter l'exigence spécifique relative à l'emballage et aux étiquettes pour les transports commerciaux, y compris par des tiers et des transitaires.
- Pour savoir comment retirer la batterie, reportez-vous au manuel d'utilisation complet sur [www.husqvarna.com](http://www.husqvarna.com).

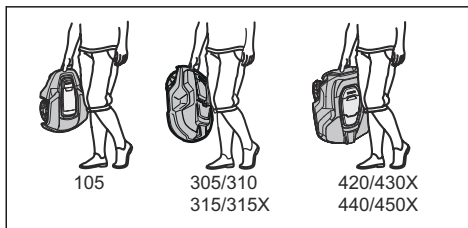
#### 29.1.1 Soulever et déplacer le produit

Pour s'éloigner en toute sécurité de la zone de travail ou s'y déplacer :

1. Appuyez sur le bouton **STOP** pour arrêter le produit. Si la sécurité est réglée au niveau moyen ou élevé, vous devez saisir le code PIN. Composé de quatre chiffres, le code PIN est défini lors de la première mise en marche du produit. Reportez-vous au manuel d'utilisation complet.
2. Mettez le produit hors tension à l'aide de l'**interrupteur principal** ou du bouton **ON/OFF**.



3. Transportez le produit en utilisant la poignée en dessous de ce dernier, avec le disque de coupe éloigné du corps.



### 29.2 Remisage hivernal

#### 29.2.1 Robots tondeuses - Notices d'utilisation

Nettoyez soigneusement le produit avant de le remiser pour la période hivernale. Reportez-vous à la section *Nettoyage à la page 97*.



**REMARQUE:** la batterie doit être chargée complètement avant le stockage hivernal. Si la batterie n'est pas complètement chargée, cela pourrait l'endommager ou la rendre inutilisable.

Placez le produit dans la station de charge en laissant le capot ouvert, jusqu'à ce que l'icône de batterie sur l'écran indique que la batterie a atteint l'état de pleine charge. Mettez le produit hors tension à l'aide de l'**interrupteur principal** ou du bouton **ON/OFF**.

Vérifiez l'état des consommables, comme les lames et les roulements de la roue arrière. Remplacez-les si nécessaire pour vous assurer que le produit est en bon état avant la saison suivante.

Remisez le produit posé sur ses roues et mettez-le dans un endroit sec, à l'abri du gel, de préférence dans son emballage d'origine. Vous pouvez également accrocher le produit sur un support mural Husqvarna d'origine. Contactez votre représentant Husqvarna pour plus d'informations sur les supports muraux.

### 29.2 Station de charge

Stockez la station de charge et l'alimentation électrique à l'intérieur. Le câble périphérique et le câble guide peuvent rester dans le sol.

1. Débranchez l'alimentation électrique du chargeur de batterie de la prise secteur.
2. Déverrouillez le connecteur et tirez dessus pour l'extraire.
3. Déconnectez les contacts des câbles périphérique et guide de la station de charge.

Protégez les extrémités des câbles de l'humidité en les mettant, par exemple, dans un contenant avec de la graisse.

S'il n'est pas possible de ranger la station de charge à l'intérieur, elle doit rester connectée au secteur, au câble périphérique et aux câbles guides tout l'hiver.

### 29.3 Informations environnementales



Le symbole sur le produit Husqvarna indique que ce produit ne peut pas être traité comme un déchet ménager ordinaire. Il convient plutôt de l'envoyer dans un centre de recyclage adapté pour y faire recycler ses composants électroniques et ses batteries. La batterie doit être retirée du produit avant de mettre celui-ci au rebut.

Pour le démontage de la batterie, consultez le manuel d'utilisation complet sur le site Web d'Husqvarna.

Pour obtenir de plus amples informations sur le recyclage de ce produit, contactez votre municipalité, votre service des ordures ménagères ou le magasin où vous avez acheté ce produit.

---

## 30 Caractéristiques techniques

---

### 30.1 Automower® 105/305

Dimensions	Automower® 105	Automower® 305
Longueur, cm/po	55 / 21,7	57 / 22,4
Largeur, cm/po	39 / 15,4	43 / 16,9
Hauteur, cm/po	25 / 9,8	25 / 9,8
Poids kg/lbs	6,9 / 15	9,4 / 21

<b>Système électrique</b>	<b>Automower® 105</b>	<b>Automower® 305</b>
Batterie lithium-ion, 18,5 V/2,1 Ah N°	586 57 62-02	584 85 28-01, 584 85 28-02
Batterie lithium-ion, 18 V/2,0 Ah N°	586 57 62-03	584 85 28-03
Batterie lithium-ion, 18,25 V/2,0 Ah N°	586 57 62-04	584 85 28-04
Alimentation, V/28 V CC	100-240	100-240
Longueur de câble basse tension, m/ft	5 / 16,4	10 / 33
Consommation d'énergie moyenne à une utilisation maximale	5 kWh/mois avec une zone de travail de 600 m <sup>2</sup> / 0,15 hectare	5 kWh/mois avec une zone de travail de 600 m <sup>2</sup> / 0,15 hectare
Courant de charge, A CC	1,3	1,3
Type d'unité d'alimentation électrique	FW7312, ADP-40BR	ADP-40EW, ADP-40BR, FW7312
Temps de tonte moyen, min	65	60
Temps de charge moyen, min	50	60

<b>Antenne du câble périphérique</b>	<b>Automower® 105</b>	<b>Automower® 305</b>
Bande de fréquence d'exploitation, Hz	300-80 000	300-80 000
Puissance de radiofréquence maximale, mW @60m <sup>55</sup>	<25	<25

<sup>55</sup> Puissance de sortie active maximum au niveau des antennes dans la bande de fréquence dans laquelle l'équipement radio fonctionne.

Émissions sonores dans l'environnement mesurées en tant que puissance acoustique <sup>56</sup>	Automower® 105	Automower® 305
Niveau de puissance acoustique mesuré, dB(A)	58	58
Niveau de puissance acoustique garanti, dB(A)	61	59
Niveau de pression sonore à l'oreille de l'utilisateur, dB(A) <sup>57</sup>	47	47

Tonte	Automower® 105	Automower® 305
Système de coupe	3 trois lames de coupe pivotantes	
Vitesse du moteur de coupe, tr/min	2 900	2 200
Consommation d'énergie pendant la coupe, W +/- 20 %	20	25
Hauteur de coupe, cm/po	2-5 / 0,8 - 2,0	2-5 / 0,8 - 2,0
Largeur de coupe, cm/po	17 / 6,7	22 / 8,7
Passage le plus étroit possible, cm/po	60 / 24	60 / 24
Angle maximal de zone de travail, %	25	40
Angle maximum du câble périphérique, %	15	15
Longueur maximale du câble périphérique, m/ft	400 / 1 300	800 / 2 600
Longueur maximale de la boucle guide, m/ft	200 / 650	400 / 1 300
Capacité de fonctionnement, m <sup>2</sup> /hectare, +/- 20 %	600 / 0,15	600 / 0,15

<sup>56</sup> Les émissions sonores dans l'environnement sont mesurées en puissance sonore ( $L_{WA}$ ) conformément à la directive CE 2000/14/CE de l'Union européenne et à la législation de la Nouvelle-Galles du Sud en vigueur (Protection of the Environment Operations Regulation 2017 relative à la lutte contre le bruit). La puissance acoustique garantie comprend une variation dans la production ainsi qu'une variation du code du test de 1-3 dB(A). La plaque signalétique de la machine et le chapitre Caractéristiques techniques contiennent des données sur les émissions sonores.

<sup>57</sup> Incertitudes de pression sonore  $K_{pA}$ , 2 à 4 dB (A)

Classification IP	Automower® 105	Automower® 305
Robot tondeuse	IPX4	IPX5
Station de charge	IPX1	IPX1
Alimentation électrique	IPX4	IPX4

### 30.2 Automower® 310/315/315X

Dimensions	Automower® 310	Automower® 315	Automower® 315X
Longueur, cm/po	63 / 24,8	63 / 24,8	63 / 24,8
Largeur, cm/po	51 / 20,1	51 / 20,1	51 / 20,1
Hauteur, cm/po	25 / 9,8	25 / 9,8	25 / 9,8
Poids kg/lbs	9,2 / 20	9,2 / 20	10,1 / 22

Système électrique	Automower® 310	Automower® 315	Automower® 315X
Batterie lithium-ion, 18,5 V/2,1 Ah N°	584 85 28-01, 584 85 28-02	584 85 28-01, 584 85 28-02	584 85 28-01, 584 85 28-02
Batterie lithium-ion, 18 V/2,0 Ah N°	584 85 28-03, 590 21 42-02, 593 11 40-01, 593 11 40-02	584 85 28-03, 590 21 42-02, 593 11 40-01, 593 11 40-02	584 85 28-03, 590 21 42-02, 593 11 40-01, 593 11 40-02
Batterie lithium-ion, 18,25 V/2,0 Ah N°	584 85 28-04, 590 21 42-03	584 85 28-04, 590 21 42-03	584 85 28-04, 590 21 42-03
Alimentation, V/28 V CC	100-240	100-240	100-240
Longueur de câble basse tension, m/ft	10 / 33	10 / 33	10 / 33
Consommation d'énergie moyenne à une utilisation maximale	8 kWh/mois avec une zone de tra- vail de 1000 m <sup>2</sup> / 0,25 hectare	10 kWh/ mois avec une zone de travail de 1500 m <sup>2</sup> / 0,37 hectare	10 kWh/mois avec une zo- ne de travail de 1600 m <sup>2</sup> / 0,4 hectare
Courant de charge, A CC	1,3	1,3	1,3
Type d'unité d'alimentation électrique	FW7312, ADP-40BR	FW7312, ADP-40BR	FW7312, ADP-40BR



<b>Système électrique</b>	<b>Automo- wer® 310</b>	<b>Automo- wer® 315</b>	<b>Automower® 315X</b>
Temps de tonte moyen, min	70	70	70
Temps de charge moyen, min	60	60	60
<b>Antenne du câble périphérique</b>	<b>Automo- wer® 310</b>	<b>Automo- wer® 315</b>	<b>Automower® 315X</b>
Bande de fréquence d'exploitation, Hz	300-80 000	300-80 000	300-80 000
Puissance de radiofréquence maximale, mW @60m <sup>58</sup>	<25	<25	<25
<b>Émissions sonores dans l'environnement mesurées en tant que puissance acoustique<sup>59</sup></b>	<b>Automo- wer® 310</b>	<b>Automo- wer® 315</b>	<b>Automower® 315X</b>
Niveau de puissance acoustique mesuré, dB(A)	58	58	58
Niveau de puissance acoustique garanti, dB(A)	60	60	60
Niveau de pression sonore à l'oreille de l'utilisateur, dB(A) <sup>60</sup>	47	47	47

<sup>58</sup> Puissance de sortie active maximum au niveau des antennes dans la bande de fréquence dans laquelle l'équipement radio fonctionne.

<sup>59</sup> Les émissions sonores dans l'environnement sont mesurées en puissance sonore ( $L_{WA}$ ) conformément à la directive CE 2000/14/CE de l'Union européenne et à la législation de la Nouvelle-Galles du Sud en vigueur (Protection of the Environment Operations Regulation 2017 relative à la lutte contre le bruit). La puissance acoustique garantie comprend une variation dans la production ainsi qu'une variation du code du test de 1-3 dB(A). La plaque signalétique de la machine et le chapitre Caractéristiques techniques contiennent des données sur les émissions sonores.

<sup>60</sup> Incertitudes de pression sonore  $K_{pA}$ , 2 à 4 dB (A)

<b>Tonte</b>	<b>Automo- wer® 310</b>	<b>Automo- wer® 315</b>	<b>Automower® 315X</b>
Système de coupe	3 trois lames de coupe pivotantes		
Vitesse du moteur de coupe, tr/min	2 300	2 300	2 300
Consommation d'énergie pendant la coupe, W +/- 20 %	25	25	25
Hauteur de coupe, cm/po	2-6 / 0,8 - 2,4	2-6 / 0,8 - 2,4	2-6 / 0,8 - 2,4
Largeur de coupe, cm/po	22 / 8,7	22 / 8,7	22 / 8,7
Passage le plus étroit possible, cm/po	60 / 24	60 / 24	60 / 24
Angle maximal de zone de travail, %	40	40	40
Angle maximum du câble périphérique, %	15	15	15
Longueur maximale du câble périphérique, m/ft	800 / 2 600	800 / 2 600	800 / 2 600
Longueur maximale de la boucle guide, m/ft	400 / 1 300	400 / 1 300	400 / 1 300
Capacité de fonctionnement, m <sup>2</sup> /hectare, +/- 20 %	1 000 / 0,25	1 500 / 0,37	1 600 / 0,4

<b>Classification IP</b>	<b>Automo- wer® 310</b>	<b>Automo- wer® 315</b>	<b>Automower® 315X</b>
Robot tondeuse	IPX4	IPX4	IPX4
Station de charge	IPX1	IPX1	IPX1
Alimentation électrique	IPX4	IPX4	IPX4

### 30.3 Automower® 420/430X/440/450X

<b>Dimensions</b>	<b>Automo- wer® 420</b>	<b>Automower® 430X</b>	<b>Automo- wer® 440</b>	<b>Automower® 450X</b>
Longueur, cm/po	72 / 28,3	72 / 28,3	72 / 28,3	72 / 28,3
Largeur, cm/po	56 / 22,0	56 / 22,0	56 / 22,0	56 / 22,0
Hauteur, cm/po	31 / 12,2	31 / 12,2	31 / 12,2	31 / 12,2
Poids kg/lbs	11,5 / 25	13,2 / 29	12 / 27	13,9 / 31

Système électrique	Automower® 420	Automower® 430X	Automower® 440	Automower® 450X
Batterie lithium-ion, 18,5 V/4,0 Ah N°	580 68 33-02			
Batterie lithium-ion, 18 V/4,0 Ah N°	580 68 33-03, 593 11 41-02, 593 11 42-01			
Batterie lithium-ion, 18,25 V/4,0 Ah N°	580 68 33-04, 593 11 41-03, 593 11 42-02			
Batterie lithium-ion, 18 V/5,2 Ah N°			588 14 64-01 (2 pièces) 5,2 Ah/batterie	
Batterie lithium-ion, 18 V/5,0 Ah N°		593 11 84-01, 593 11 85-01	588 14 64-02, 593 11 84-01, 593 11 85-01 (2 pièces) 5,0 Ah/batterie	593 11 84-01, 593 11 85-01 (2 pièces) 5,0 Ah/batterie
Batterie lithium-ion, 18 V/4,9 Ah N°		593 11 84-02, 593 11 85-02	588 14 64-03, 593 11 84-02, 593 11 85-02 (2 pièces) 4,9 Ah/batterie	593 11 84-02, 593 11 85-02 (2 pièces) 4,9 Ah/batterie
Alimentation, V/28 V CC	100-240	100-240	100-240	100-240
Longueur de câble basse tension, m/ft	10 / 33	10 / 33	10 / 33	10 / 33
Consommation d'énergie moyenne à une utilisation maximale	17 kWh/ mois avec une zone de travail de 2 200 m <sup>2</sup> / 0,55 hecta- re	18 kWh/ mois avec une zone de travail de 3 200 m <sup>2</sup> / 0,8 hectare	20 kWh/mois avec une zone de travail de 4 000 m <sup>2</sup> / 1 hectare	23 kWh/mois avec une zone de travail de 5 000 m <sup>2</sup> / 1,25 hectare
Courant de charge, A CC	2,2	4,2	7	7

<b>Système électrique</b>	<b>Automower® 420</b>	<b>Automower® 430X</b>	<b>Automower® 440</b>	<b>Automower® 450X</b>
Type d'unité d'alimentation électrique	ADP-60JR, FW7438	FW7448, ADP-120DR	FW7458/28/D, ADP-200JR	FW7458/28/D, ADP-200JR
Temps de tonte moyen, min	75	145	290	270
Temps de charge moyen, min	50	50	60	60

<b>Antenne du câble périphérique</b>	<b>Automower® 420</b>	<b>Automower® 430X</b>	<b>Automower® 440</b>	<b>Automower® 450X</b>
Bande de fréquence d'exploitation, Hz	300-80 000	300-80 000	300-80 000	300-80 000
Puissance de radiofréquence maximale, mW @60m <sup>61</sup>	<25	<25	<25	<25

<b>Émissions sonores dans l'environnement mesurées en tant que puissance acoustique<sup>62</sup></b>	<b>Automower® 420</b>	<b>Automower® 430X</b>	<b>Automower® 440</b>	<b>Automower® 450X</b>
Niveau de puissance acoustique mesuré, dB (A)	57	57	56	58
Puissance acoustique garantie	58	58	56	59
Niveau de pression acoustique au niveau de l'oreille de l'opérateur, dB (A) <sup>63</sup>	46	46	45	47

<sup>61</sup> Puissance de sortie active maximum au niveau des antennes dans la bande de fréquence dans laquelle l'équipement radio fonctionne.

<sup>62</sup> Les émissions sonores dans l'environnement sont mesurées en puissance sonore ( $L_{WA}$ ) conformément à la directive CE 2000/14/CE de l'Union européenne et à la législation de la Nouvelle-Galles du Sud en vigueur (Protection of the Environment Operations Regulation 2017 relative à la lutte contre le bruit). La puissance acoustique garantie comprend une variation dans la production ainsi qu'une variation du code du test de 1-3 dB(A). La plaque signalétique de la machine et le chapitre Caractéristiques techniques contiennent des données sur les émissions sonores.

<sup>63</sup> Incertitudes de pression sonore  $K_{pA}$ , 2 à 4 dB (A)

<b>Tonte</b>	<b>Automower® 420</b>	<b>Automower® 430X</b>	<b>Automower® 440</b>	<b>Automower® 450X</b>
Système de coupe	3 trois lames de coupe pivotantes			
Vitesse du moteur de coupe, tr/min	2 300	2 300	2 300	2 300
Consommation d'énergie pendant la coupe, W +/- 20 %	30	30	30	35
Hauteur de coupe, cm/po	2-6 / 0,8 - 2,4	2-6 / 0,8 - 2,4	2-6 / 0,8 - 2,4	2-6 / 0,8 - 2,4
Largeur de coupe, cm/po	24 / 9,4	24 / 9,4	24 / 9,4	24 / 9,4
Passage le plus étroit possible, cm/po	60 / 24	60 / 24	60 / 24	60 / 24
Angle maximal de zone de travail, %	45	45	45	45
Angle maximum du câble périphérique, %	15	15	15	15
Longueur maximale du câble périphérique, m/ft	800 / 2 600	800 / 2 600	800 / 2 600	800 / 2 600
Longueur maximale de la boucle guide, m/ft	400 / 1 300	400 / 1 300	400 / 1 300	400 / 1 300
Capacité de fonctionnement, m <sup>2</sup> /hectare, +/- 20 %	2 200 / 0,55	3 200 / 0,8	4 000 / 1	5 000 / 1,25
<b>Classification IP</b>	<b>Automower® 420</b>	<b>Automower® 430X</b>	<b>Automower® 440</b>	<b>Automower® 450X</b>
Robot tondeuse	IPX4	IPX4	IPX4	IPX4
Station de charge	IPX1	IPX1	IPX1	IPX1
Alimentation électrique	IPX4	IPX4	IPX4	IPX4

<b>Bandes de fréquence prises en charge</b>	
Bluetooth® plage de fréquences	2400,0-2483,5 MHz
Automower® Connect 2G	GSM 850 MHz
	E-GSM 900 MHz
	DCS 1 800 MHz
	PCS 1 900 MHz
Automower® Connect 3G	Bande 19 (800 MHz)
	Bande 5 (850 MHz)
	Bande 8 (900 MHz)
	Bande 2 (1 900 MHz)
	Bande 1 (2 100 MHz)
Automower® Connect 4G	Bande 12 (700 MHz)
	Bande 17 (700 MHz)
	Bande 28 (700 MHz)
	Bande 13 (700 MHz)
	Bande 20 (800 MHz)
	Bande 26 (850 MHz)
	Bande 5 (850 MHz)
	Bande 19 (850 MHz)
	Bande 8 (900 MHz)
	Bande 4 (1 700 MHz)
	Bande 3 (1 800 MHz)
	Bande 2 (1 900 MHz)
	Bande 25 (1 900 MHz)
	Bande 1 (2 100 MHz)
	Bande 39 (1 900 MHz)

<b>Classe de puissance</b>		
Bluetooth® Puissance de sortie	8 dBM	
Automower® Connect 2G	Classe de puissance 4 (pour GSM/E-GSM)	33 dBm
	Classe de puissance 1 (pour DCS/PCS)	30 dBm
	Classe de puissance E2 (pour bandes GSM/E-GSM)	27 dBm
	Classe de puissance E2 (pour bandes DCS/PCS)	26 dBm
Automower® Connect 3G	Classe de puissance 3	
Automower® Connect 4G	Classe de puissance 3	

Husqvarna AB ne garantit en aucun cas la compatibilité totale entre le produit et d'autres types de dispositifs sans fil comme des télécommandes, des transmetteurs radio, des boucles d'écoute, des clôtures électrifiées enterrées pour animaux ou autres.

Les produits sont fabriqués en Angleterre ou en République tchèque. Consultez les informations sur la plaque signalétique. Reportez-vous à la section *Introduction à la page 76*

### 30.4 Marques déposées

La marque et les logos *Bluetooth®* sont des marques déposées appartenant à *Bluetooth SIG, inc.*, et toute utilisation de ces marques par Husqvarna est régie par une licence.

---

## 31 Garantie

---

### 31.1 Conditions de garantie

Husqvarna garantit le fonctionnement de ce produit pendant deux ans (à compter de la date d'achat). Cette garantie couvre les dysfonctionnements graves liés aux matériaux ou vices de fabrication. Pendant la période de garantie, nous remplacerons le produit ou le réparerons sans frais supplémentaires si les conditions suivantes sont remplies :

- Le produit et la station de charge ne peuvent être utilisés qu'en accord avec les instructions de ce manuel d'utilisation. La présente garantie n'a aucun effet sur les recours à la garantie à l'encontre du revendeur/fournisseur.
- Les utilisateurs ou tiers non autorisés ne doivent en aucun cas essayer d'effectuer des réparations sur le produit.

Exemples de pannes non couvertes par la garantie :

- Dommages causés par l'infiltration d'eau lors de l'utilisation d'un nettoyeur à haute pression ou de l'immersion sous l'eau, par exemple, lorsque de fortes pluies forment des flaques d'eau.
- Dommages provoqués par la foudre.
- Dommages causés par un stockage inapproprié ou une manipulation incorrecte de la batterie.
- Dommages provoqués par l'utilisation d'une batterie qui ne serait pas d'origine Husqvarna.
- Dommages provoqués par l'utilisation de pièces de rechange et d'accessoires autres que ceux d'origine Husqvarna, tels que les lames et le matériel d'installation.

- Dommages sur la boucle du câble.
- Dommages causés par des changements ou modifications non autorisés sur le produit ou sur son alimentation.

Les lames et les roues sont considérées comme des éléments consommables et ne sont pas couvertes par la garantie.

Si une erreur survient avec votre produit Husqvarna, contactez le service clientèle Husqvarna pour de plus amples instructions. Gardez le reçu et le numéro de série du produit à portée de main lorsque vous contactez le service clientèle Husqvarna.

---

## 32 Déclaration de conformité CE

---

### 32.1 Déclaration de conformité CE

Nous, **Husqvarna AB**, SE-561 82 Huskvarna, Suède, tél. : +46-36-146500, déclarons que les robots tondeuses **Husqvarna Automower® 105**, **Husqvarna Automower® 305**, **Husqvarna Automower® 310**, **Husqvarna Automower® 315**, **Husqvarna Automower® 315X**, **Husqvarna Automower® 420**, **Husqvarna Automower® 430X**, **Husqvarna Automower® 440** et **Husqvarna Automower® 450X** à partir des numéros de série de 2019 la semaine 40 et ultérieurs (l'année et la semaine sont clairement indiquées sur la plaque signalétique et suivies du numéro de série), sont conformes aux dispositions de la DIRECTIVE DU CONSEIL :

- Directive « Machines » **2006/42/CE**.
  - Exigences particulières relatives aux robots tondeuses alimentés par batterie **EN 50636-2-107 : 2015**.
  - Champs électromagnétiques **EN 62233 : 2008**.
- Directive **2011/65/UE** relative à la limitation de l'utilisation de certaines substances dangereuses.
  - La norme suivante est appliquée : **EN 50581:2012**
- Directive **2000/14/CE** relative aux émissions sonores des matériels utilisés à l'extérieur des bâtiments. Pour de plus amples informations sur les émissions sonores et la largeur de tonte, consultez également la section *Caractéristiques techniques à la page 101*.

Pour **Husqvarna Automower® 105** (certificat 01/901/176), **Husqvarna**

**Automower® 305** (certificat 01/901/322), **Husqvarna Automower® 310/315** (certificat 01/901/225), **Husqvarna Automower® 315X** (certificat 01/901/286) et **Husqvarna Automower® 420/430X/440/450X** (certificat 01/901/201) :

L'organisme certifié RISE SMP Svensk Maskinprovning AB, Box 7035, SE-750 07 Uppsala, Sweden a délivré un rapport concernant l'évaluation de la conformité selon l'annexe VI de la Directive du Conseil 2000/14/CE du 8 mai 2000 « relative aux émissions sonores dans l'environnement ».

- Directive relative aux équipements radio **2014/53/UE**. Le certificat de l'examen de type est délivré après examen selon la directive 2014/53/UE. Le numéro de certificat de l'examen de type pour **Husqvarna Automower® 105** est SC1110-17. Les normes harmonisées suivantes ont été appliquées :

- **ETSI EN 303 447 V1.1.1**

Compatibilité électromagnétique :

- **ETSI EN 301 489-1 V2.2.0**
- **EN 61000-6-1:2007**
- **EN 61000-6-3:2007/A1:2011**

Pour les modèles **Husqvarna Automower® 315X**, **Husqvarna Automower® 430X** et **Husqvarna Automower® 450X** équipés du module **Automower® Connect**, les normes suivantes ont également été appliquées :

- **ETSI EN 301 489-19 V2.1.0**
- **ETSI EN 301 489-52 V1.1.1**



- ETSI EN 301 511 V12.5.1
- ETSI EN 301 908-2 V11.1.1

Pour Husqvarna Automower® 305, Husqvarna Automower® 310, Husqvarna Automower® 315, Husqvarna Automower® 315X, Husqvarna Automower® 420, Husqvarna Automower® 430X, Husqvarna Automower® 440 et Husqvarna Automower® 450X équipés de la fonction Bluetooth® également :

- ETSI EN 300 328 V2.1.1
- ETSI EN 301 489-17 V3.1.1



Husqvarna 2019-12-12

Lars Roos

Global R&D Director, Electric category

(Représentant autorisé Husqvarna AB et responsable de la documentation technique.)

---

## Sommario

---

34 Introduzione.....	114	39 Ricerca dei guasti.....	136
35 Sicurezza.....	122	40 Trasporto, stoccaggio e smaltimento.....	137
36 Installazione.....	126	41 Dati tecnici.....	139
37 Utilizzo.....	131	42 Garanzia.....	148
38 Manutenzione.....	134	43 Dichiarazione di conformità CE.....	149

---

## 34 Introduzione

---

### 34.1 Introduzione

Numero di serie:
------------------

Codice PIN:
-------------

Il numero di serie si trova sulla targhetta dati di funzionamento del prodotto e sulla confezione del prodotto.

- Utilizzare il numero di serie per registrare il prodotto sul sito Web [www.husqvarna.com](http://www.husqvarna.com).

### 34.2 Supporto

Per assistenza sul prodotto, contattare il centro di assistenza Husqvarna.

#### 34.2.1 Manuale operatore completo

Il manuale operatore completo è disponibile sul sito webHusqvarna [www.husqvarna.com](http://www.husqvarna.com). È più dettagliato ad esempio per quanto concerne istruzioni sull'installazione, manutenzione, risoluzione dei problemi e struttura dei menu.

#### 34.2.2 Descrizione del prodotto

**Nota:** Husqvarna aggiorna regolarmente l'aspetto e il funzionamento dei prodotti. Fare riferimento a *Supporto alla pagina 114*.

Il prodotto è un robot rasaerba. Il prodotto dispone di una fonte di alimentazione a batteria e taglia l'erba automaticamente. Non è necessario raccogliere l'erba.

L'operatore seleziona le impostazioni di funzionamento mediante i tasti della tastiera. Il display mostra le impostazioni di funzionamento selezionate e selezionabili e la modalità di funzionamento del prodotto.

Il cavo perimetrale e il cavo guida controllano il movimento del prodotto all'interno dell'area di lavoro.

#### 34.2.2.1 Automower® Connect

Automower® Connect è un'applicazione mobile che permette di selezionare le impostazioni di funzionamento in modalità remota. Fare riferimento a *Connettività alla pagina 132*.

### 34.3 Capacità

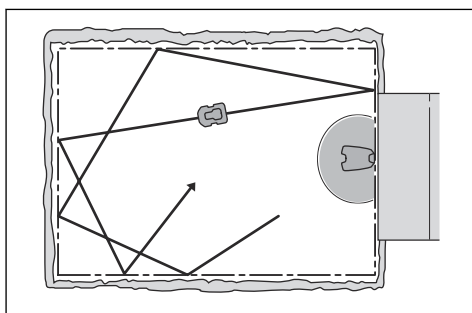
Le dimensioni dell'area che il prodotto può gestire dipendono principalmente dalla condizione delle lame, dal tipo di erba e dal livello di crescita e umidità. Anche la forma del giardino ha un ruolo importante. Se il giardino è composto principalmente da aree di prato aperto, il prodotto ha una capacità di taglio all'ora maggiore rispetto al taglio di un giardino costituito da diversi piccoli prati, separati da alberi, aiuole di fiori e passaggi. Per la capacità di lavoro, fare riferimento a *Dati tecnici alla pagina 139*.

Per ottenere un risultato ottimale si raccomanda di utilizzare principalmente il prodotto in assenza di pioggia. Il prodotto funziona anche in caso di pioggia, ma l'erba

bagnata aderisce più facilmente alle lame, aumentando il rischio di scivolamento sulle pendenze ripide. Le lame devono essere in buone condizioni per un risultato di falciatura ottimale. Per mantenere le lame taglienti il più a lungo possibile, è importante mantenere il prato sgombro da rami, sassi e altri oggetti. Sostituire le lame regolarmente. Fare riferimento a *Sostituzione delle lame alla pagina 136*.

### 34.4 Movimento tipico

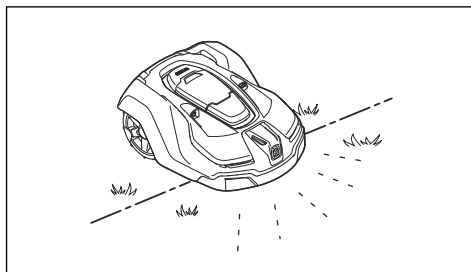
Il movimento tipico del prodotto è casuale. In questo modo l'erba viene tagliata in modo uniforme senza lasciare segni.



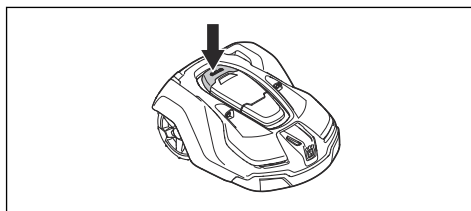
### 34.5 Metodo di lavoro

I modelli Automower® 315X/430X/450X utilizzano la navigazione assistita da GPS per iniziare a falciare una zona del giardino dove non sono passati di recente. Per gli altri modelli potrebbe essere necessario configurare le impostazioni di partenza remota per assicurare la falciatura uniforme del prato, fare riferimento al manuale operatore completo sul sito Web di Husqvarna.

Quando il prodotto incontra un ostacolo o si avvicina al cavo perimetrale, fa marcia indietro e sceglie una nuova direzione. Sensori anteriori e posteriori rilevano l'avvicinamento del prodotto al cavo perimetrale. La parte anteriore del prodotto oltrepassa sempre il cavo perimetrale di una distanza specifica prima che il prodotto cambi direzione. Se necessario, la distanza può essere modificata per adattarla all'installazione.



Il pulsante **STOP**, situato sulla parte superiore del prodotto, è utilizzato principalmente per arrestare il prodotto quando è in funzione. Quando si preme il pulsante **STOP** si apre un portello dietro il quale è presente un pannello di comando. Il pulsante **STOP** rimane premuto fino a quando il portello non viene richiuso. Insieme al pulsante **START** funge da inibitore dell'avviamento.



**Nota:** Per avviare il prodotto, premere sempre il pulsante **START** prima di chiudere il portello. Se il pulsante **START** non viene premuto, si sente un segnale acustico e il prodotto non entra in funzione.

**Nota:** Quando il prodotto viene avviato per la prima volta, inizia una sequenza di avvio che include una serie di importanti messe a punto iniziali, fare riferimento a *Primo avviamento e calibratura* nel Manuale operatore completo sul sito Web Husqvarna.

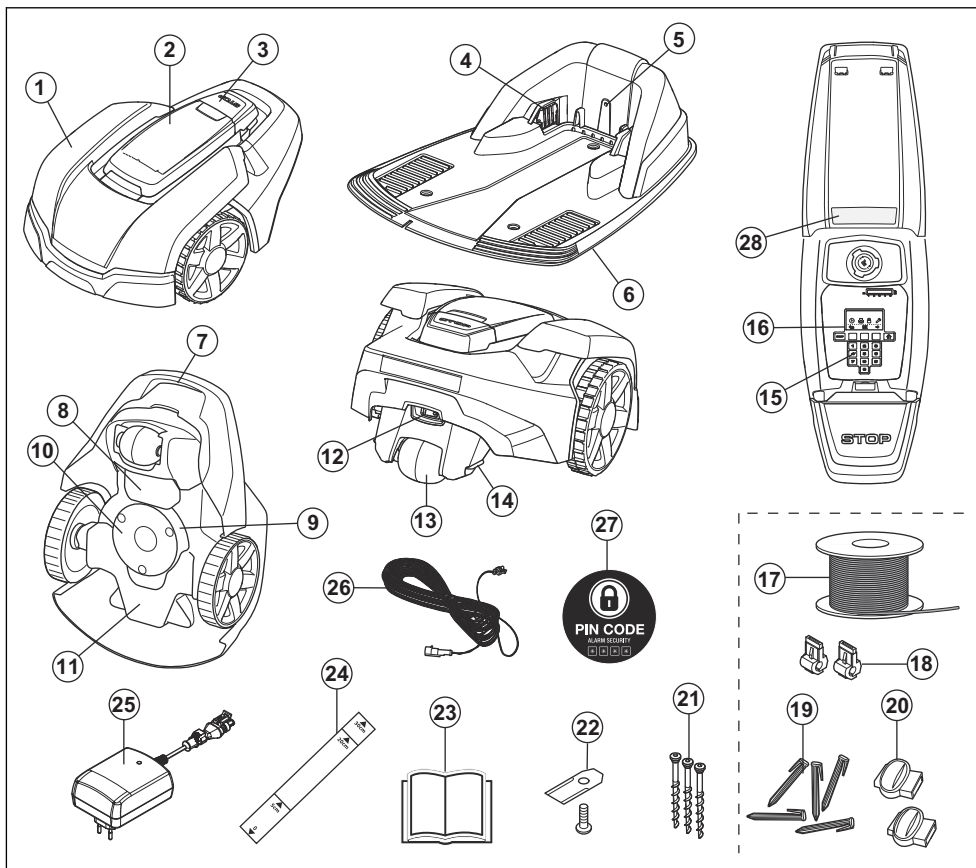
### 34.6 Individuazione della stazione di ricarica

È possibile impostare i modelli Automower® 305/310/315/315X/420/430X/440/450X affinché cerchino la stazione di ricarica in una o più modalità, tra le 3 disponibili. Il prodotto combina automaticamente questi 3 metodi di

ricerca per individuare la stazione di ricarica il più velocemente possibile, ma anche per lasciare meno solchi possibili. Automower®

105 segue sempre il cavo guida per trovare la stazione di ricarica..

### 34.7 Panoramica del prodotto Automower® 105

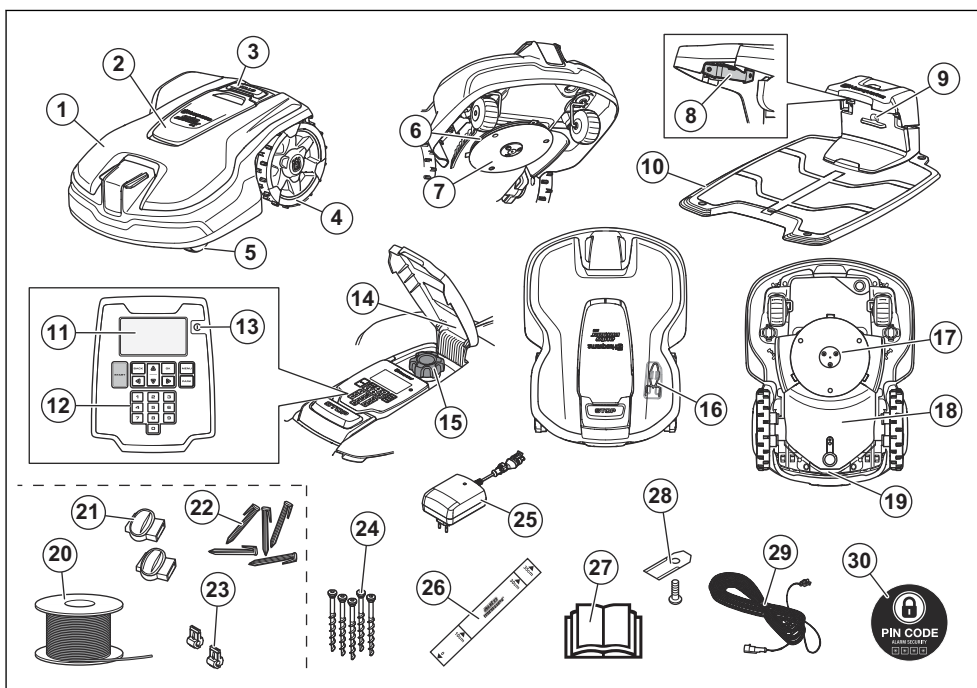


I numeri in figura rappresentano:

- |   |  |
|---|--|
| <ul style="list-style-type: none"> <li>1. Scocca</li> <li>2. Portello del display, tastiera e regolazione dell'altezza di taglio</li> <li>3. Pulsante Stop</li> <li>4. Piastre di contatto</li> <li>5. LED per il controllo del funzionamento della stazione di ricarica, del cavo perimetrale e del cavo guida</li> <li>6. Stazione di ricarica</li> </ul> | <ul style="list-style-type: none"> <li>7. Impugnatura</li> <li>8. Sportello del vano batterie</li> <li>9. Disco lame</li> <li>10. Piastra di scorrimento</li> <li>11. Scatola telaio con elettronica, batteria e motori</li> <li>12. Interruttore principale</li> <li>13. Ruota posteriore</li> <li>14. Lamelle di carica</li> <li>15. Tastiera</li> </ul> |
|---|--|

- 16. Display
- 17. Rotolo per cavo perimetrale e cavo guida
- 18. Connettori per cavo perimetrale
- 19. Picchetti
- 20. Giunti per cavi perimetrali
- 21. Viti per il fissaggio della stazione di ricarica
- 22. Lame
- 23. Manuale operatore e Guida rapida
- 24. Astina di misurazione per l'installazione del cavo perimetrale (l'astina di misurazione è separabile dalla confezione)
- 25. Alimentatore (l'aspetto può variare a seconda del mercato)
- 26. Cavo a bassa tensione
- 27. Decalcomania allarme
- 28. Targhetta dati di funzionamento (incl. codice di identificazione del prodotto)

### 34.8 Panoramica del prodotto Automower® 305

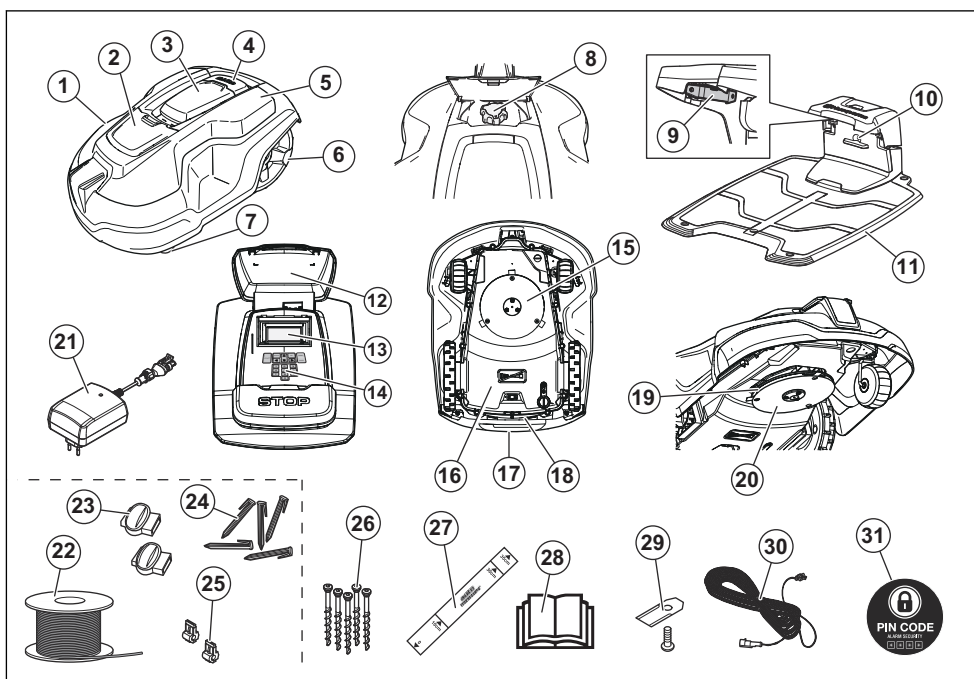


I numeri in figura rappresentano:

- 1. Scocca
- 2. Coperchio per tastiera, display e regolazione dell'altezza di taglio
- 3. Pulsante Stop
- 4. Ruote posteriori
- 5. Ruote anteriori
- 6. Disco lame
- 7. Piastra di scorrimento
- 8. Piastre di contatto
- 9. LED per il controllo del funzionamento della stazione di ricarica e del cavo perimetrale
- 10. Stazione di ricarica
- 11. Display
- 12. Tastiera

13. Pulsante ON/OFF
14. Targhetta dati di funzionamento (incl. codice di identificazione del prodotto)
15. Regolazione dell'altezza di taglio
16. Strumento di manutenzione
17. Apparato di taglio
18. Scatola telaio con elettronica, batteria e motori
19. Impugnatura
20. Rotolo per cavo perimetrale e cavo guida<sup>64</sup>
21. Giunti per cavi perimetrali<sup>65</sup>
22. Picchetti<sup>66</sup>
23. Connettori per cavi perimetrali<sup>67</sup>
24. Viti per il fissaggio della stazione di ricarica
25. Alimentatore (l'aspetto può variare a seconda del mercato)
26. Astina di misurazione per l'installazione del cavo perimetrale (l'astina di misurazione è separata dalla confezione)
27. Manuale operatore e Guida rapida
28. Lame extra
29. Cavo a bassa tensione
30. Decalcomania allarme

### 34.9 Panoramica del prodotto Automower® 310/315/315X



I numeri in figura rappresentano:

1. Scocca
2. Portello per la regolazione dell'altezza di taglio

<sup>64</sup> Fa parte del kit di installazione che è acquistabile separatamente.

<sup>65</sup> Fa parte del kit di installazione che è acquistabile separatamente.

<sup>66</sup> Fa parte del kit di installazione che è acquistabile separatamente.

<sup>67</sup> Fa parte del kit di installazione che è acquistabile separatamente.

3. Coperchio per display e tastiera
4. Pulsante Stop
5. Coperchio sostituibile
6. Ruote posteriori
7. Ruote anteriori
8. Regolazione dell'altezza di taglio
9. Piastre di contatto
10. LED per il controllo del funzionamento della stazione di ricarica e del cavo perimetrale
11. Stazione di ricarica
12. Targhetta dati di funzionamento (incl. codice di identificazione del prodotto)
13. Display
14. Tastiera
15. Apparato di taglio
16. Scatola telaio con elettronica, batteria e motori
17. Impugnatura
18. Interruttore principale
19. Disco lame
20. Piastra di scorrimento
21. Alimentatore (l'aspetto può variare a seconda del mercato)
22. Rotolo per cavo perimetrale e cavo guida<sup>68</sup>
23. Giunti per cavi perimetrali<sup>69</sup>
24. Picchetti<sup>70</sup>
25. Connettori per cavi perimetrali<sup>71</sup>
26. Viti per il fissaggio della stazione di ricarica
27. Astina di misurazione per l'installazione del cavo perimetrale (l'astina di misurazione è separabile dalla confezione)
28. Manuale operatore e Guida rapida
29. Lame extra
30. Cavo a bassa tensione
31. Decalcomania allarme

---

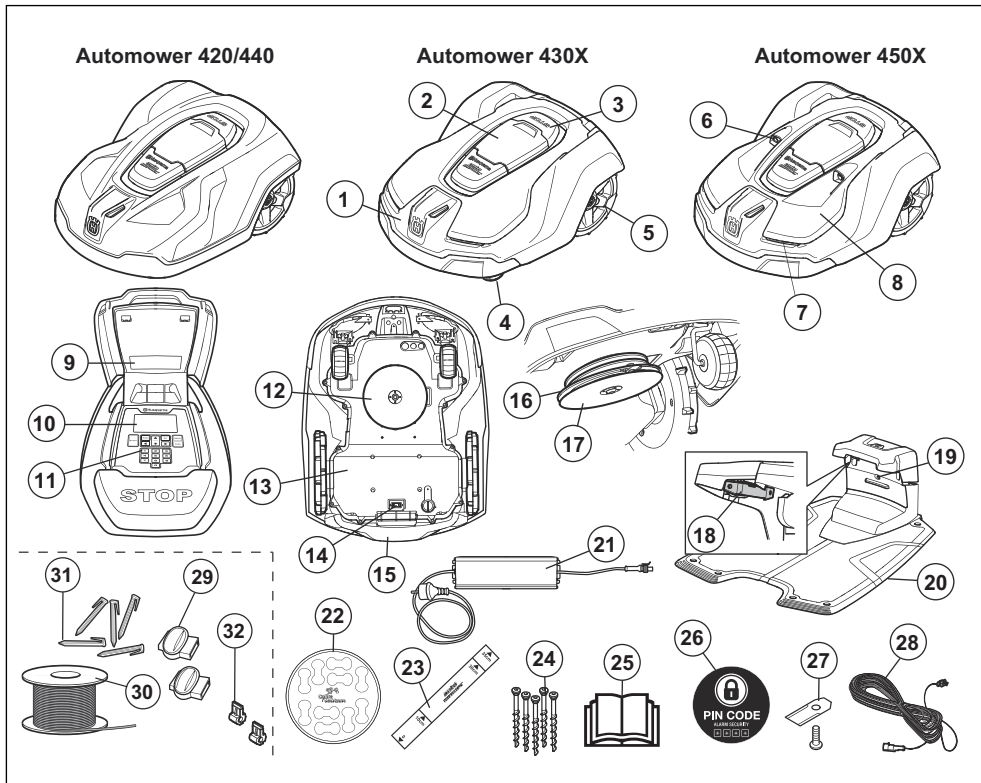
<sup>68</sup> Fa parte del kit di installazione che è acquistabile separatamente.

<sup>69</sup> Fa parte del kit di installazione che è acquistabile separatamente.

<sup>70</sup> Fa parte del kit di installazione che è acquistabile separatamente.

<sup>71</sup> Fa parte del kit di installazione che è acquistabile separatamente.

### 34.10 Panoramica del prodotto Automower® 420/430X/440/450X



I numeri in figura rappresentano:

- |   |   |
|---|---|
| <ul style="list-style-type: none"> <li>1. Scocca</li> <li>2. Coperchio per display e tastiera</li> <li>3. Pulsante Stop</li> <li>4. Ruote anteriori</li> <li>5. Ruote posteriori</li> <li>6. Sensori a ultrasuoni</li> <li>7. Fari anteriori</li> <li>8. Coperchio sostituibile</li> <li>9. Targhetta dati di funzionamento (incl. codice di identificazione del prodotto)</li> <li>10. Display</li> <li>11. Tastiera</li> <li>12. Apparato di taglio</li> <li>13. Scatola telaio con elettronica, batteria e motori</li> </ul> | <ul style="list-style-type: none"> <li>14. Interruttore principale</li> <li>15. Impugnatura</li> <li>16. Disco lame</li> <li>17. Piastra di scorrimento</li> <li>18. Piastre di contatto</li> <li>19. LED per il controllo del funzionamento della stazione di ricarica e del cavo perimetrale</li> <li>20. Stazione di ricarica</li> <li>21. Alimentazione (l'aspetto può variare a seconda del mercato)</li> <li>22. Etichette cavi</li> <li>23. Astina di misurazione per l'installazione del cavo perimetrale (l'astina di misurazione è separabile dalla confezione)</li> <li>24. Viti</li> <li>25. Manuale</li> <li>26. PIN CODE</li> <li>27. Chiusura</li> <li>28. Cavo</li> </ul> |
|---|---|



- 24. Viti per il fissaggio della stazione di ricarica
- 25. Manuale operatore e Guida rapida
- 26. Decalcomania allarme
- 27. Lame extra
- 28. Cavo a bassa tensione
- 29. Giunti per cavi perimetrali <sup>72</sup>
- 30. Rotolo per cavo perimetrale e cavo guida <sup>73</sup>
- 31. Picchetti <sup>74</sup>
- 32. Connettori per cavi perimetrali <sup>75</sup>

### 34.11 Simboli riportati sul prodotto

Questi simboli sono riportati sul prodotto. Osservarli attentamente.



**AVVERTENZA:** leggere le istruzioni d'uso prima di avviare il prodotto.



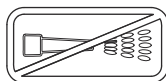
**AVVERTENZA:** disabilitare il prodotto prima di lavorare con la macchina o sollevarla.



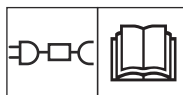
**AVVERTENZA:** mantenere una distanza di sicurezza dalla macchina quando è in funzione. Tenere mani e piedi lontani dalle lame rotanti.



**AVVERTENZA:** non salire sulla macchina. Non avvicinare mai le mani o i piedi alla macchina o sotto di essa.



Per la pulizia del prodotto, non utilizzare mai dispositivi di lavaggio ad alta pressione, né acqua corrente.



Utilizzare un alimentatore rimovibile come riportato sulla targhetta accanto al simbolo.



Il presente prodotto è conforme alle vigenti direttive CE.



Emissioni di rumore nell'ambiente circostante. Le emissioni del prodotto sono riportate nel capitolo *Dati tecnici alla pagina 139* e sulla targhetta dati di funzionamento.

<sup>72</sup> Fa parte del kit di installazione che è acquistabile separatamente.

<sup>73</sup> Fa parte del kit di installazione che è acquistabile separatamente.

<sup>74</sup> Fa parte del kit di installazione che è acquistabile separatamente.

<sup>75</sup> Fa parte del kit di installazione che è acquistabile separatamente.



Non è consentito smaltire questo prodotto come normale rifiuto domestico. Accertarsi che il prodotto sia riciclato nel rispetto dei requisiti di legge locali.



Il telaio contiene componenti sensibili alle scariche elettrostatiche (ESD). Il telaio deve inoltre essere richiuso in modo professionale. Per questi motivi, il telaio può essere aperto esclusivamente da tecnici dell'assistenza autorizzati. Una guarnizione rotta può invalidare totalmente o in parte la garanzia.



Il cavo a bassa tensione non deve essere accorciato, allungato o giuntato

Non utilizzare un trimmer vicino al cavo a bassa tensione. Prestare la massima attenzione durante il taglio di bordi dove sono posizionati i cavi.



Non gettare la batteria nel fuoco e non esporla a una fonte di calore.



Non immergere la batteria in acqua.

### 34.13 Istruzioni generali del manuale

Per facilitare la consultazione, nel manuale operatore vengono adottate le convenzioni tipografiche seguenti:

- Il testo in *corsivo* indica messaggi riportati sul display del prodotto o rimanda a un'altra sezione del manuale operatore.
- Il testo scritto in **grassetto** si riferisce ai pulsanti presenti sulla tastiera del prodotto.
- Il testo in **MAIUSCOLO** e in *corsivo* fa riferimento alle diverse modalità di funzionamento disponibili sul prodotto.

### 34.12 Simboli sulla batteria



Leggere le istruzioni dell'utente.

---

## 35 Sicurezza

---

### 35.1 Definizioni di sicurezza

Le avvertenze, le precauzioni e le note sono utilizzate per evidenziare le parti importanti del manuale.



**AVVERTENZA:** Utilizzato se è presente un rischio di lesioni o morte dell'operatore o di passanti nel caso in cui le istruzioni del manuale non vengano rispettate.



**ATTENZIONE:** Utilizzato se è presente un rischio di danni al prodotto, ad altri materiali oppure alla zona adiacente nel caso in cui le istruzioni del manuale non vengano rispettate.

**Nota:** Utilizzato per fornire ulteriori informazioni necessarie in una determinata situazione.

## **35.1.1 IMPORTANTE. LEGGERE ATTENTAMENTE PRIMA DELL'USO. CONSERVARE COME RIFERIMENTO FUTURO**

L'operatore è responsabile per eventuali incidenti o pericoli causati ad altre persone o ai loro beni.

Questo apparecchio non è destinato all'utilizzo da parte di persone (bambini inclusi) con ridotte capacità fisiche, sensoriali o mentali (che potrebbero compromettere un uso sicuro del prodotto), oppure con mancanza di esperienza e conoscenza, a meno che non siano controllate o siano state istruite durante l'utilizzo da una persona responsabile della loro sicurezza.

L'apparecchio può essere utilizzato da bambini di almeno 8 anni e da persone con capacità fisiche, sensoriali o mentali ridotte o che non abbiano esperienza o conoscenze previe, a patto che abbiano ricevuto assistenza o istruzioni per l'uso dell'apparecchio in modo sicuro e purché ne comprendano i rischi. Alcune normative locali possono limitare l'età dell'operatore. La pulizia e la manutenzione non devono essere eseguite da bambini senza la supervisione di adulti.

Non collegare mai l'alimentatore a una presa di corrente se la spina o il cavo sono danneggiati. I cavi danneggiati o usurati aumentano il rischio di scosse elettriche.

Caricare la batteria solo nella stazione di ricarica in dotazione. L'utilizzo errato può causare scosse elettriche, surriscaldamento o perdite di liquido corrosivo dalla batteria. In caso di perdite di elettroliti, sciacquare immediatamente con acqua/agente neutralizzante. Consultare un medico se l'elettrolita entra a contatto con gli occhi.

Utilizzare solo le batterie originali consigliate dal produttore. La sicurezza del prodotto non può essere garantita con batterie non originali. Non utilizzare batterie non ricaricabili.

L'apparecchio deve essere scollegato dalla rete di alimentazione durante la rimozione della batteria.



**AVVERTENZA:** il prodotto può essere pericoloso se utilizzato in modo inappropriato.



**AVVERTENZA:** non utilizzare il prodotto in prossimità di persone (specialmente bambini) o animali.



**AVVERTENZA:** Tenere mani e piedi lontani dalle lame rotanti. A motore acceso, non avvicinare mai le mani o i piedi al prodotto o sotto di esso.

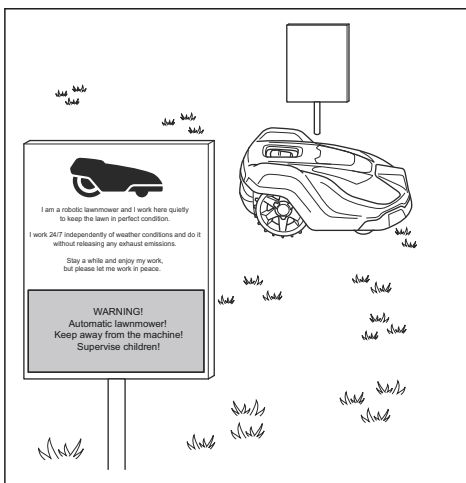


**AVVERTENZA:** In caso di lesioni o incidenti, rivolgersi a un medico.

### 35.2 Utilizzo

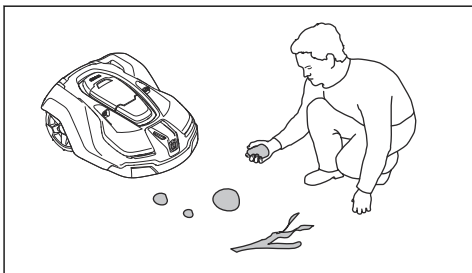
- Il prodotto può essere utilizzato solo con le apparecchiature raccomandate dal produttore. Qualsiasi altro tipo di utilizzo è da considerarsi improprio. Attenersi scrupolosamente alle istruzioni del produttore relative a funzionamento, manutenzione e riparazioni.

- I segnali di avvertenza devono essere collocati intorno all'area di lavoro se il prodotto viene utilizzato nelle aree pubbliche. La segnaletica dovrà avere il seguente testo: **Avvertenza! Robot rasaerba! Tenersi lontano dalla macchina! Tenere sotto controllo i bambini!**



- Utilizzare la funzione **PARK** o spegnere il prodotto se persone, in particolare bambini, o animali si trovano nell'area di lavoro. Si consiglia di programmare il prodotto per l'uso durante gli orari nei quali nell'area non vengono svolte attività, ad esempio di notte. Tenere presente che alcune specie, ad es. i ricci, sono attive di notte. Potenzialmente questi possono essere danneggiati dal prodotto.
- Il prodotto può essere utilizzato, sottoposto a manutenzione e riparato solo da persone che abbiano totale dimestichezza con le sue specifiche caratteristiche e norme di sicurezza. Prima di usare il prodotto, leggere attentamente il Manuale dell'operatore e accertarsi di averne compreso il contenuto.

- Non è consentito modificare il design originale del prodotto. Tutte le modifiche sono a rischio e pericolo dell'utente.
- Controllare che sul prato non siano presenti oggetti estranei come pietre, rami, attrezzi o giocattoli. Se le lame colpiscono oggetti estranei, possono danneggiarsi. Spegnerne sempre il prodotto utilizzando l'**interruttore principale** o il pulsante **ON/OFF** prima di eliminare l'ostruzione. Prima di riavviare il prodotto, verificare che non sia danneggiato.



- Se il prodotto comincia a vibrare in maniera anomala, Spegnerne sempre il prodotto con l'**interruttore principale** o con il pulsante **ON/OFF** e verificare che non sia danneggiato prima di riavviarlo.
  - Avviare il prodotto attenendosi alle istruzioni. Quando il prodotto è abilitato con il pulsante **ON/OFF** o quando l'**interruttore principale** è in posizione 1, assicurarsi di tenere le mani e i piedi lontani dalle lame rotanti. Non mettere mai mani o piedi sotto il prodotto.
  - Non toccare le parti pericolose in movimento, come ad esempio il disco lame, se non sono completamente arrestate.
  - Non sollevare mai il prodotto né spostarlo in giro quando è acceso.
  - Non consentire mai che il prodotto possa collidere con persone o animali. Se una persona o un animale si trova sul percorso del prodotto, fermarlo immediatamente.
  - Non collocare alcun oggetto sul prodotto o sulla relativa stazione di ricarica.
- In caso di guasto della protezione, del disco lame o della scossa, non consentire l'utilizzo del prodotto. Inoltre, non utilizzarlo in caso di lame, viti, dadi o cavi difettosi. Non collegare mai un cavo danneggiato o toccare un cavo danneggiato prima che venga scollegato dall'alimentazione.
  - Non utilizzare il prodotto se l'**interruttore principale** o il pulsante **ON/OFF** non funziona.
  - Spegnerne sempre il prodotto utilizzando l'**interruttore principale** o il pulsante **ON/OFF** quando il prodotto non viene utilizzato. Il prodotto può essere avviato solo quando l'**interruttore principale** è in posizione 1 o il pulsante **ON/OFF** e la spia sono accesi. Per l'avvio del prodotto, è necessario immettere anche il codice PIN corretto.
  - Il prodotto non deve mai essere utilizzato quando è in funzione un irrigatore. In questo caso, utilizzare la funzione *Programma* in modo che il prodotto e l'irrigatore non funzionino mai contemporaneamente.
  - Husqvarna non garantisce la completa compatibilità tra il prodotto e altri tipi di sistemi wireless, quali telecomandi, trasmettitori radio, apparecchi acustici, recinzioni elettriche interrate per animali o simili.
  - L'allarme integrato è molto rumoroso. Prestare attenzione, soprattutto se il prodotto è utilizzato in ambienti chiusi.
  - Oggetti metallici nel terreno (ad esempio cemento armato o reti contro le talpe) possono comportare un arresto. Gli oggetti metallici possono generare interferenze al segnale di funzionamento, con un conseguente fermo macchina.
  - La temperatura di esercizio e di stoccaggio è pari a 0-50 °C / 32-122 °F. L'intervallo di temperatura per la ricarica è pari a 0-45 °C / 32-113 °F. Temperature troppo elevate potrebbero causare danni al prodotto.

### 35.3 Sicurezza batterie



**AVVERTENZA:** Le batterie agli ioni di litio possono esplodere o causare incendi se smontate, esposte all'acqua, fuoco o a temperature elevate o in caso di cortocircuito. Maneggiare

attentamente la batteria, non smontarle, aprirla ed evitare qualsiasi tipo di sollecitazione elettrica o meccanica impropria. Evitare di conservare la batteria alla luce diretta del sole.

Per ulteriori informazioni sulla batteria, fare riferimento a *Batteria alla pagina 135*

## 36 Installazione

### 36.1 Collegamento dell'alimentatore

Nello scegliere la posizione dell'alimentatore, prendere in considerazione quanto segue:

- Vicinanza alla stazione di ricarica.
- Protezione dalla pioggia.
- Protezione dalla luce diretta del sole.



**AVVERTENZA:** il prodotto deve essere utilizzato solo con un alimentatore fornito da Husqvarna.

Quando si collega l'alimentatore, utilizzare solo una presa a muro collegata a un interruttore differenziale (RCD).



**AVVERTENZA:** rischio di scosse elettriche. Si consiglia l'uso di un interruttore differenziale (RCD) quando si collega l'alimentatore alla presa a muro. Per USA/CANADA: utilizzare solo una presa con protezione di Classe A GFCI (RCD) con involucro resistente alle intemperie con l'accessorio cappuccio inserito o rimosso.



**AVVERTENZA:** non modificare o manomettere alcuna parte dell'alimentatore. Non accorciare o allungare il cavo a bassa tensione.

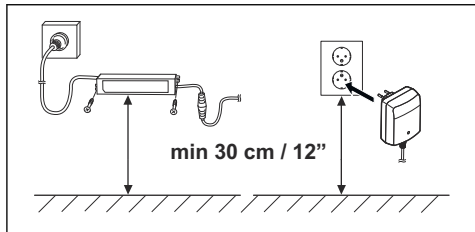
Sono disponibili come accessori cavi a bassa tensione di lunghezze diverse.



**AVVERTENZA:** Il cavo di alimentazione e di prolunga devono trovarsi all'esterno dell'area di lavoro per evitare di danneggiare i cavi.



**AVVERTENZA:** non montare, per alcun motivo, l'alimentatore a un'altezza in cui rischia di essere immerso in acqua (almeno 30 cm dal suolo). Non è consentito posizionare l'alimentatore a terra.



**AVVERTENZA:** utilizzare la spina per scollegare la stazione di ricarica, ad esempio prima della pulizia della stazione di ricarica o della riparazione del cavo.



**AVVERTENZA:** posizionare il cavo a bassa tensione e regolare l'altezza di taglio in modo che le lame del disco non vengano mai a contatto con il cavo.



**AVVERTENZA:** per ridurre il rischio di danni a componenti elettrici, scollegare tutte le connessioni alla stazione di ricarica (alimentazione, cavo perimetrale e cavi guida) in caso di rischio di temporali.



**AVVERTENZA:** non racchiudere l'alimentatore. La condensa può danneggiare l'alimentatore e aumentare il rischio di scosse elettriche.

Per ulteriori istruzioni su come eseguire un'installazione corretta, fare riferimento al capitolo *Installazione* nel manuale dell'operatore completo sul sito Web Husqvarna [www.husqvarna.com](http://www.husqvarna.com).

### 36.2 Pannello di comando

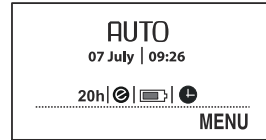
Tutti i comandi e le impostazioni del prodotto avvengono mediante il pannello di comando. Tutte le funzioni sono accessibili tramite una serie di menu.

Il pannello di comando è costituito da un display e una tastiera. Tutte le informazioni vengono visualizzate sul display e l'immissione avviene tramite i pulsanti.

**Nota:** nel manuale i testi visualizzati sul display sono in lingua inglese, mentre sul display del prodotto sono nella lingua scelta.

### 36.3 Display Automower® 105

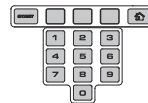
Quando viene premuto il pulsante **STOP** e il portello si apre, viene visualizzata la finestra contenente l'orologio, la modalità operativa selezionata, il numero di ore di taglio, lo stato della batteria e le impostazioni del timer.



- L'orologio mostra l'ora corrente.
- La data mostra il giorno corrente.
- Il numero di ore di funzionamento indica il numero di ore di esercizio del prodotto a partire dal giorno di produzione. È considerato tempo di funzionamento, la durata di effettiva operatività del prodotto o di ricerca della stazione di ricarica.
- *AUTO*, *MAN* o *CASA* indicano la modalità di funzionamento selezionata.
- Lo stato della batteria mostra la carica residua della batteria.
- Viene visualizzato il simbolo ECO se il prodotto è impostato in *Modalità ECO*.
- L'orologio indica l'avvenuta configurazione delle impostazioni del timer. Il simbolo dell'orologio è nero quando il prodotto non può tagliare l'erba a causa delle impostazioni del timer.
- La dicitura *MENU* indica che il menu principale può essere raggiunto premendo il pulsante a **scelta multipla** al di sotto del testo.

### 36.4 Tastiera Automower® 105

La tastiera è formata da 4 gruppi di pulsanti:

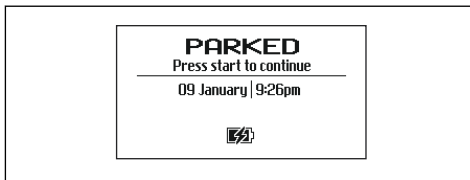


- Il pulsante **START** viene utilizzato per attivare il prodotto. Normalmente, è l'ultimo pulsante da premere prima di chiudere il portello.
- I tre pulsanti a **scelta multipla** offrono diverse funzioni, a seconda della posizione nella struttura dei menu in cui ci si trova.

- I tasti **numerici** vengono usati per esempio per inserire il codice PIN o le impostazioni di orario.
- Il pulsante di **selezione della modalità operativa** è rappresentato da una casa. Alla pressione del pulsante, la modalità operativa selezionata è visualizzata sul display.

### 36.5 Display Automower® 305/310/315/315X/420/430X/440/450X

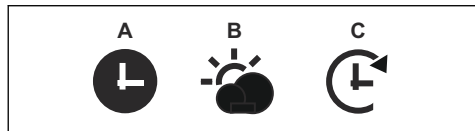
Quando viene premuto il **pulsante di STOP** e il portello è aperto, viene visualizzata la pagina iniziale che mostra le seguenti informazioni.



- Informazioni sul funzionamento ad es. *PRONTO*, *TAGLIO*, *PARCHEGGIATO* o *PROGRAMMA*. *PRONTO* viene visualizzato se il prodotto non si trova in una modalità operativa specifica, ad esempio se il prodotto è stato appena acceso. Se viene premuto il pulsante **STOP** sul prodotto viene visualizzata l'attività effettuata prima che fosse arrestato ad es. *TAGLIO* o *RICERCA*.
- Data e orologio mostrano l'ora corrente.
- Per Automower® 315X/430X/450X: Il simbolo del satellite viene visualizzato quando è attiva la navigazione GPS. Il simbolo (A) viene visualizzato quando il prodotto rileva un numero sufficiente di satelliti GPS. Il simbolo (B) viene visualizzato quando il prodotto non rileva un numero sufficiente di satelliti GPS. Il simbolo (A) lampeggia durante i primi giorni di funzionamento del prodotto, poiché sta raccogliendo informazioni GPS sull'installazione.



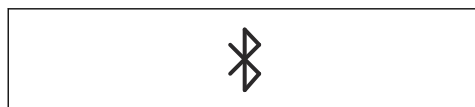
- Viene visualizzato il simbolo ECO se il prodotto è impostato in *Modalità ECO*.
- Il simbolo nero dell'orologio (A) viene visualizzato quando il prodotto non può tagliare l'erba a causa delle impostazioni del menu *Programma*. Il simbolo (B) viene visualizzato se il prodotto non può essere utilizzato a causa del *Timer stagionale*. Se si seleziona la modalità di funzionamento *Ignora programma*, viene visualizzato il simbolo (C).



- Lo stato della batteria mostra la carica residua della batteria. Se il prodotto è in fase di carica, sopra il simbolo della batteria (A) compare un fulmine. Se il prodotto viene posizionato nella stazione di ricarica ma la ricarica non si avvia, viene visualizzato il simbolo (B).



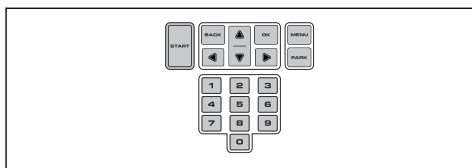
- L'impostazione di regolazione dell'altezza viene visualizzata come scala/valore numerico.
- Per Automower® Connect@Home (fare riferimento a *Automower® Connect@Home alla pagina 133*): Un'icona per la comunicazione wireless Bluetooth® viene visualizzata sul display del prodotto quando viene stabilita la connessione con il dispositivo mobile.





## 36.6 Tastiera Automower® 305/310/315/315X/420/430X/440/450X

La tastiera è formata da 6 gruppi di pulsanti:

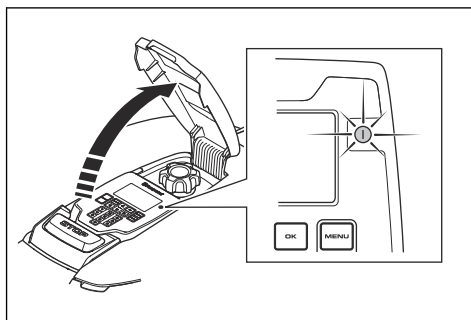


- Il pulsante **START** viene utilizzato per attivare il prodotto. Normalmente, è l'ultimo pulsante da premere prima di chiudere il portello.
- I pulsanti **INDIETRO** e **OK** servono per spostarsi all'interno del menu. Il pulsante **OK** è utilizzato anche per confermare le impostazioni nel menu.
- I tasti **freccia** consentono di navigare nel menu, ma anche di effettuare le selezioni in alcune opzioni di impostazione.
- Il pulsante **MENU** consente di accedere al menu principale.
- Il pulsante **PARK** viene utilizzato per inviare il prodotto alla stazione di ricarica.
- I tasti **numerici** servono per immettere le impostazioni, ad esempio, il codice PIN, l'ora o la direzione di uscita.

## 36.7 La spia Automower® 305

La spia del pulsante **ON/OFF** è un importante indicatore di stato:

- Se la spia si illumina in modo continuo, il prodotto è attivo.
- Se la spia lampeggia, il prodotto si trova in modalità standby. Ciò significa che l'operatore deve premere il pulsante **ON/OFF** per riattivare il prodotto.
- Quando la spia non è accesa, il prodotto è disattivato.



**AVVERTENZA:** È possibile eseguire l'ispezione o la manutenzione del prodotto in sicurezza solo quando è disattivato. Il prodotto è disattivato quando la spia sul pulsante **ON/OFF** non è accesa.

## 36.8 Struttura dei menu

Il menu principale del modello Automower® 105 offre 4 opzioni. Automower® 310 ha 6 opzioni e Automower® 305/315/315X offre 7 opzioni. Il menu principale del modello Automower® 420/430X/440/450X offre 8 opzioni.

## 36.9 Sottomenu

Sotto ogni opzione sono presenti diversi sottomenu, tramite i quali è possibile accedere a tutte le funzioni per regolare le impostazioni del prodotto.

Alcuni sottomenu contengono opzioni contrassegnate da un segno di spunta a sinistra. Ciò significa che queste opzioni sono selezionate. Selezionare o deselezionare la casella premendo il pulsante **OK**.

## 36.10 Esplorazione dei menu

Navigare nel menu principale e nei sottomenu con l'aiuto dei pulsanti **a scelta multipla** (Automower® 105) o dei pulsanti **freccia** (Automower® 305/310/315/315X/420/430X/440/450X). Immettere valori e orari con i pulsanti numerici e confermare ciascuna selezione con il pulsante **a scelta multipla** contrassegnato con **OK**. Premere **INDIETRO**

per tornare indietro di un passaggio nel menu o tenere premuto **CASA** (Automower® 105) e alternativamente **MENU** (Automower® 305/310/315/315X/420/430X/440/450X) per 2 secondi per tornare direttamente al menu principale.

### 36.11 Menu principale



#### *Programma*

Per ottenere il miglior risultato di taglio, il prato non deve essere tagliato troppo di frequente. Di conseguenza, è importante limitare il tempo di funzionamento con la funzione *Programma* se l'area di lavoro è inferiore alla capacità di lavoro del prodotto. Inoltre, la funzionalità del *Programma* è il mezzo ideale per controllare in quali momenti il prodotto non deve entrare in funzione, ad esempio quando i bambini stanno giocando sul prato.



#### *Altezza di taglio*

Applicabile per Automower® 420/430X/440/450X

È possibile regolare l'altezza di taglio da MIN (1) a MAX (9). Nella prima settimana dopo una nuova installazione, l'altezza di taglio deve essere impostata su MAX per evitare di danneggiare il cavo. Dopo questo periodo, l'altezza di taglio può essere ridotta gradualmente ogni settimana fino a raggiungere l'altezza di taglio desiderata.



#### *Sicurezza*

In questo menu è possibile configurare le impostazioni relative alla sicurezza e alla connessione tra prodotto e stazione di ricarica.



#### *Messaggi*

Applicabile per Automower® 305/310/315/315X/420/430X/440/450X

In questo menu possono essere consultati messaggi di cronologia, guasti e informazioni. Per alcuni dei messaggi di errore più comuni, sono forniti suggerimenti e consigli per aiutare a correggere il guasto.



#### *Timer stagionale*

Applicabile per Automower® 305/315/315X/420/430X/440/450X

Questa funzione consente al prodotto di regolare automaticamente i tempi di taglio in base alla crescita dell'erba. Quando il tempo è propizio per la crescita dell'erba, il prodotto la falcia più spesso; quando la crescita dell'erba è lenta, il prodotto trascorrerà automaticamente meno tempo sul prato.



#### *Installazione*

Questa funzione del menu viene utilizzata per personalizzare l'installazione. Per molte aree di lavoro non c'è alcuna necessità di modificare le impostazioni di fabbrica, ma a seconda della complessità del prato, i risultati della falciatura possono essere migliorati configurando le impostazioni manualmente.



#### *Impostazioni*

Questo menu consente di modificare le impostazioni generali

del prodotto come la data e l'ora. È inoltre possibile attivare/disattivare *Modalità ECO* e *Taglio a spirale*, o salvare le impostazioni nei diversi *Profili* (solo Automower® 305/315/315X/420/430X/440/450X). Husqvarna consiglia di lasciare attiva la *Modalità ECO* per risparmiare energia ed evitare interferenze con altre apparecchiature.



#### Accessori

Applicabile per Automower® 305/310/315/315X/420/430X/440/450X

Questo menu gestisce le impostazioni per gli accessori del prodotto, ad es. Automower® Connect o Automower® Connect@Home. Contattare il rivenditore Husqvarna locale per informazioni sugli accessori adatti al proprio prodotto.

---

## 37 Utilizzo

---

### 37.1 Accensione e spegnimento del prodotto

- Il prodotto può essere avviato solo se acceso e dopo aver immesso il codice PIN corretto. Per accendere il modello Automower® 305, premere il pulsante **ON/OFF** per 3 secondi e controllare che la spia sia accesa. Per accendere tutti gli altri modelli, portare l'interruttore principale su *1*.
- Per arrestare il prodotto, premere il pulsante **STOP** sulla parte superiore del prodotto. Il prodotto si ferma e il motore lame si arresta.
- Per spegnere il modello Automower® 305, premere il pulsante **ON/OFF** per 3 secondi e controllare che la spia non sia accesa. Per spegnere tutti gli altri modelli, l'**interruttore principale** deve essere impostato su *0*.

### 37.2 Modalità operativa Automower® 105

Premere il pulsante di selezione della **modalità operativa** 1-3 volte per selezionare una modalità operativa. È possibile scegliere tra 3 diverse modalità di funzionamento.

- *CASA*. Consente di inviare il prodotto alla stazione di ricarica. L'unità resta in tale modalità finché non viene selezionata

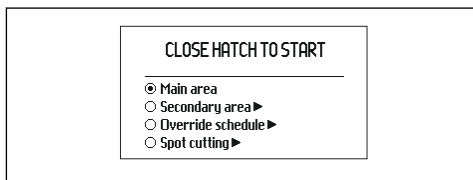
un'altra modalità operativa. Quando la batteria è completamente carica, il prodotto non lascia la stazione di ricarica e comincia a falciare fin quando la modalità operativa non viene modificata in *AUTO*.

- *AUTO*. Si tratta della modalità operativa automatica standard in cui il prodotto falcia e si ricarica automaticamente.
- *MAN*. L'impostazione *MAN* è necessaria per le operazioni di taglio in zone secondarie. Se viene selezionato *MAN* e il prodotto viene avviato sul prato, inizia a falciare finché non si esaurisce la batteria. Quindi si arresta e viene visualizzato il messaggio "Necessita ricarica manuale". Il prodotto deve essere quindi trasportato manualmente alla stazione di ricarica e avviato manualmente dopo la ricarica. Se il prodotto viene ricaricato in modalità *MAN*, si ricaricherà completamente e si allontanerà di circa 20 cm dalla stazione di ricarica per poi arrestarsi. Ciò indica che è carico e pronto per iniziare a tagliare.

### 37.3 Modalità operativa, START Automower® 305/310/315/315X/420/430X/440/450X

Premere il pulsante **START** per selezionare una delle seguenti modalità:

- *Area principale*: si tratta della modalità operativa normale in cui il prodotto falcia e si ricarica automaticamente.



- *Area secondaria*: questa impostazione è necessaria per le operazioni di taglio in zone secondarie.

In modalità *Area secondaria*, l'operatore deve spostare il prodotto manualmente tra l'area principale e l'area secondaria. Il prodotto inizia a tagliare finché la batteria non si scarica. Quando la batteria è carica, il dispositivo si allontana dalla stazione di ricarica e si arresta. A questo punto, il prodotto è pronto per essere messo in funzione, ma è prima necessaria la conferma dell'operatore.

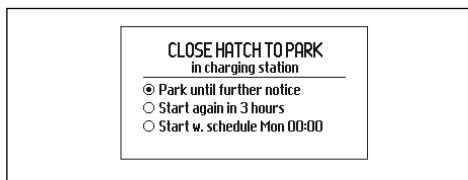
**Nota:** Se si desidera tagliare l'area principale a batteria carica, impostare il prodotto in modalità *Area principale* prima di posizionarlo nella stazione di ricarica.

- *Ignora programma*: l'opzione *Ignora programma* consente di escludere temporaneamente qualsiasi impostazione della funzione *Programma*. È possibile escludere la funzione *Programma* per 24 ore o 3 giorni.
- *Taglio a spot*: (non applicabile per il modello Automower® 310). Il prodotto segue un percorso a spirale per tagliare l'erba nella zona dove questa è stata falciata meno rispetto ad altre parti del prato.

La funzione *Taglio a spot* viene attivata con il pulsante **START**. È possibile selezionare la modalità in cui il prodotto deve continuare a lavorare dopo che la falciatura è terminata premendo la **freccia** destra e specificando quindi *Area principale* o *Area secondaria*.

## 37.4 Modalità operativa, PARK Automower® 305/310/315/315X/420/430X/440/450X

Premere il pulsante **PARK** per selezionare una delle seguenti modalità:



- *Parchegg. fino a nuovo ordine*: il prodotto rimane nella stazione di ricarica fino alla selezione di un'altra modalità operativa tramite il pulsante **START**.
- *Inizia nuovamente tra 3 ore*: il prodotto rimane nella stazione di ricarica per tre ore e poi torna automaticamente in modalità operativa normale. Questa modalità operativa è ideale quando è necessaria un'interruzione temporanea dell'attività, ad esempio per l'irrigazione o per giocare sul prato.
- *Inizia con il programma*: il prodotto rimane nella stazione di ricarica fino alla successiva attivazione consentita dall'impostazione *Programma*. Questa modalità operativa è adatta se si vuole annullare un ciclo di taglio in corso e lasciare che il prodotto resti nella stazione di ricarica fino al giorno successivo. Questa opzione non viene visualizzata se non sono presenti impostazioni della funzione *Programma*.

## 37.5 Connettività

È possibile comunicare con il prodotto tramite l'applicazione mobile Automower® Connect. Automower® Connect è disponibile per dispositivi mobili e tablet (Apple o Android). Quando Automower® Connect è attivato, sul display del prodotto vengono visualizzate nuove icone. Per informazioni più dettagliate, fare riferimento al manuale operatore.

---

**Nota:** non tutti i paesi supportano Automower® Connect per motivi legali e a causa di sistemi cellulari locali specifici. Il servizio a vita Automower® Connect incluso è applicabile solo se nell'area operativa è disponibile un appaltatore 2G/3G/4G terzo. In alcuni paesi Bluetooth® non è disponibile per motivi legali.

---

### 37.5.1 Automower® Connect

Automower® Connect è incluso in Automower® 315X/430X/450X ed è disponibile come accessorio per Automower® 305/310/315/420/440.

Automower® Connect riproduce il menu del sistema sul dispositivo mobile, facilitando la lettura e la modifica delle impostazioni del prodotto in remoto. Grazie a questa applicazione, è possibile ricevere lo stato attuale del prodotto e inviargli i comandi da qualsiasi posto nel mondo. In caso di furto, viene emesso un allarme che consente di localizzare il prodotto.

### 37.5.2 Automower® Connect@Home

Incluso in Automower® 305/310/315/315X/420/430X/440/450X.

Automower® Connect@Home utilizza la tecnologia wireless Bluetooth® a corto raggio. Ciò significa che la comunicazione tra smartphone e prodotto è possibile purché ci si trovi entro il raggio di comunicazione. Un'icona per la comunicazione Bluetooth® viene visualizzata sul display del prodotto quando viene stabilita la connessione con lo smartphone.

**Nota:** Automower® Connect@Home ha funzionalità simili ma estese quanto quelle di Automower® Connect, e utilizza la stessa app.

---

### 37.5.3 Operazioni preliminari

Scaricare l'app Automower® Connect (applicabile anche ad Automower® Connect@Home) da AppStore o GooglePlay. Dopo aver scaricato l'app, indicare un indirizzo e-mail e una password per creare un account. Un'e-mail di convalida verrà inviata all'indirizzo

e-mail fornito. Accertarsi di seguire le istruzioni riportate nell'e-mail per convalidare l'account entro 24 ore. Se non viene convalidato entro 24 ore, si dovrà creare nuovamente l'account. Una volta creato l'account nell'app, è possibile abbinare il prodotto e lo smartphone.

### 37.5.4 Abbinamento con Automower® Connect

Selezionare la funzione *Accessori > Automower Connect > Abbinamento > Nuovo abbinamento*. Quando l'applicazione lo richiede, inserire il codice a 6 caratteri visualizzato sul display del prodotto. Immettere inoltre il nome del prodotto desiderato nell'app. Automower® Connect è sempre collegato al prodotto fin quando il dispositivo mobile rimane in contatto con la rete mobile e il prodotto è carico e acceso.

### 37.5.5 Abbinamento con Automower® Connect@Home

Attivare la comunicazione wireless Bluetooth® sullo smartphone. Selezionare la funzione *Accessori > Connect@Home > Nuovo abbinamento* e seguire le istruzioni visualizzate nell'app. Dopo aver effettuato l'abbinamento del prodotto e dello smartphone, questi si connetteranno automaticamente ogni volta che si entra nel raggio d'azione. Se si desidera collegare il prodotto senza avere un account è possibile utilizzare Automower® Connect@Home selezionando Automower® Direct nella schermata di avvio dell'app.

### 37.6 Regolazione dell'altezza di taglio

Se l'erba è molto alta, avviare il prodotto regolando l'altezza di taglio massima. Una volta accorciata l'erba, è possibile impostare un'altezza di taglio progressivamente inferiore.



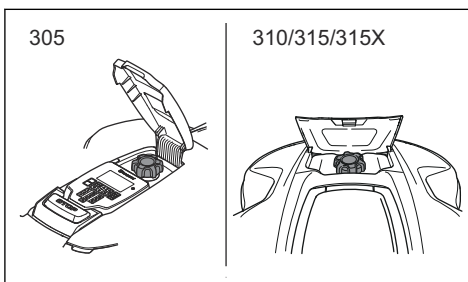
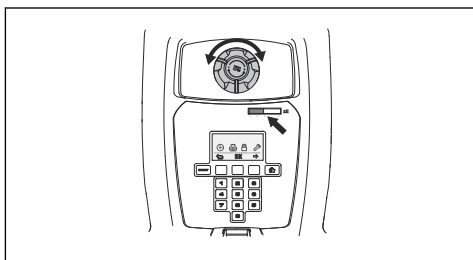
**ATTENZIONE:** Nella prima settimana dopo una nuova installazione, l'altezza di taglio deve essere impostata su MAX per evitare di danneggiare il cavo. Dopo questo periodo, l'altezza di taglio può essere ridotta gradualmente ogni settimana fino a raggiungere l'altezza di taglio desiderata.

1. Premere il pulsante **STOP** per arrestare il prodotto e aprire il portello di regolazione dell'altezza di taglio.
2. Ruotare la manopola nella posizione desiderata. Ruotare in senso orario per aumentare l'altezza di taglio e in senso antiorario per diminuirla. La freccia si allinea con la posizione selezionata contrassegnata sulla scocca.

### 37.6.1 Automower® 105

È possibile regolare l'altezza di taglio da MIN (2 cm / 0.8") a MAX (5 cm / 2.0"). Per regolare l'altezza di taglio procedere come segue:

1. Premere il pulsante **STOP** per arrestare il prodotto. Quindi, aprire il portello.
2. Ruotare la manopola di regolazione dell'altezza nella posizione desiderata. La posizione selezionata è indicata dalla colonna arancione sull'indicatore di regolazione dell'altezza.



### 37.6.2 Automower® 305/310/315/315X

È possibile regolare l'altezza di taglio da MIN (2 cm / 0.8") a MAX (6 cm / 2.4") in 9 passaggi.

### 37.6.3 Automower® 420/430X/440/450X

È possibile regolare l'altezza di taglio da MIN a MAX in 9 passaggi.

1. Premere il pulsante **STOP** per arrestare il prodotto e aprire il portello.
2. Premere il pulsante **MENU** per accedere al menu principale.
3. Spostare il cursore usando i **tasti freccia** su/giù per selezionare il menu *Altezza di taglio*.
4. Premere **OK**.
5. Aumentare o diminuire l'altezza di taglio con i tasti **freccia**.

## 38 Manutenzione

### 38.1 Pulizia

Per migliorare il funzionamento e incrementare la durata utile, accertarsi di pulire il prodotto regolarmente e sostituire le parti usurate. Il prodotto non funziona in modo soddisfacente in pendenza se le ruote sono bloccate dall'erba. Per pulire il prodotto utilizzare una spazzola morbida.

Husqvarna offre uno speciale kit per la pulizia e la manutenzione. Contattare il rappresentante locale Husqvarna.



**AVVERTENZA:** Usare guanti protettivi.



**AVVERTENZA:** Spegnere il prodotto con l'**interruttore principale** o il pulsante **ON/OFF** quando il prodotto viene capovolto.

Spegnere il prodotto durante tutti gli interventi sul telaio, come la pulizia o la sostituzione delle lame.



**AVVERTENZA:** Utilizzare la spina per scollegare la stazione di ricarica prima di procedere alla manutenzione o alla pulizia della stazione di ricarica o dell'alimentatore.



**ATTENZIONE:** Premere il pulsante **STOP** ed estrarre il prodotto dalla stazione di ricarica prima di sollevarlo. Non sollevare il prodotto quando è parcheggiato nella stazione di ricarica. Questo può danneggiare la stazione di ricarica e/o il prodotto.

### 38.1.1 Pulizia Automower® 105/310/315/315X/420/430X/440/450X



**ATTENZIONE:** Per la pulizia del prodotto, non utilizzare dispositivi di lavaggio ad alta pressione né acqua corrente. Non utilizzare solventi per pulire il prodotto.

### 38.1.2 Pulizia Automower® 305

Pulire il prodotto con una spazzola o con un tubo di acqua corrente.



**ATTENZIONE:** Non utilizzare dispositivi di lavaggio ad alta pressione per pulire il prodotto. Non utilizzare solventi per pulire il prodotto.

## 38.2 Batteria



**AVVERTENZA:** caricare il prodotto utilizzando solo un'apposita stazione di ricarica e un alimentatore. L'utilizzo errato può causare scosse elettriche, il surriscaldamento o la fuoriuscita di liquido corrosivo dalla batteria. In caso di fuoriuscita dell'elettrolita, sciacquare con acqua e contattare un medico in caso di contatto con occhi ecc.



**AVVERTENZA:** utilizzare solo le batterie originali consigliate dal produttore. La sicurezza del prodotto non può essere garantita con altre batterie. Non utilizzare batterie non ricaricabili.



**ATTENZIONE:** la batteria deve essere caricata completamente prima del rimessaggio invernale. Se la batteria non viene caricata completamente, può danneggiarsi e in alcuni casi divenire inutilizzabile.

Il tempo di ricarica può variare a seconda della temperatura ambiente o di altri fattori.

Le circostanze riportate di seguito indicano che la batteria sta invecchiando e che presto sarà necessario sostituirla.

- Il tempo di funzionamento del prodotto tra gli intervalli di ricarica è più breve del solito. Ciò determina la necessità di un maggior numero di cicli di carica rispetto al normale e aumenta quindi il rischio che si formino solchi in prossimità della stazione di ricarica.
- Il prodotto viene trovato fermo sul prato con il messaggio *Batteria scarica*. Ciò indica che il prodotto non dispone di una capacità della batteria sufficiente a trovare la stazione di ricarica.

La batteria funziona correttamente se il prodotto mantiene il prato ben tagliato.

**Nota:** la durata della batteria dipende dalla stagione di attività e dal numero di ore di utilizzo al giorno del prodotto. Una stagione lunga e un utilizzo di molte ore al giorno riducono gli intervalli di sostituzione della batteria.

Contattare il rappresentante locale Husqvarna per sostituire la batteria.

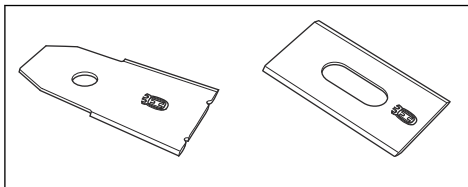
### 38.3 Sostituzione delle lame



**AVVERTENZA:** Utilizzare sempre le lame e le viti del tipo giusto. Husqvarna può garantire la sicurezza solo quando si utilizzano lame originali. Se si sostituiscono solo le lame e si riutilizza la vite, quest'ultima può usurarsi durante la falciatura. Le lame possono quindi essere scagliate fuori da sotto la scocca e causare lesioni gravi.

Per maggiore sicurezza sostituire eventuali parti usurate o danneggiate. Anche se le lame di taglio sono intatte, devono essere sostituite regolarmente per ottenere risultati ottimali e un basso consumo energetico. Tutte e 3 le lame e le viti devono essere sostituite

contemporaneamente per ottenere un apparato di taglio bilanciato. Utilizzare lame originali Husqvarna con impresso il logo a forma di H incoronata, fare riferimento a *Condizioni di garanzia alla pagina 148.*



### 38.4 Per sostituire le lame

1. Spegner il prodotto con l'**interruttore principale** o il pulsante **ON/OFF**.
2. Capovolgere il prodotto. Posizionare il prodotto su una superficie morbida e pulita per evitare di graffiare la scocca o il portello.
3. Girare la piastra di scorrimento in modo tale che i relativi fori siano allineati con la vite della lama.
4. Rimuovere le 3 viti. Usare un cacciavite a taglio o a croce.
5. Rimuovere ciascuna lama e vite.
6. Fissare le nuove lame e le viti.
7. Controllare che le lame possano muoversi liberamente.

## 39 Ricerca dei guasti

### 39.1 Ricerca dei guasti

In caso di malfunzionamento, il display visualizzerà un messaggio d'errore. Per ulteriori informazioni sui messaggi, fare riferimento al Manuale operatore completo sul sito web Husqvarna ([www.husqvarna.com](http://www.husqvarna.com)). Se non è possibile trovare il motivo del guasto o se lo stesso messaggio viene visualizzato più volte, contattare il rivenditore locale Husqvarna.

La rottura del cavo è solitamente provocata da danni materiali involontari, ad esempio, quando si usa una vanga. La rottura può essere inoltre provocata da un'eccessiva tensione applicata al cavo durante l'installazione. È possibile individuare la rottura di un cavo diminuendo gradualmente la lunghezza del circuito, finché non sarà rimasta solo una sezione molto corta di cavo. Fare riferimento al Manuale operatore completo sul sito Web Husqvarna ([www.husqvarna.com](http://www.husqvarna.com)).



### 39.1.1 Spia della stazione di ricarica

Per indicare che l'impianto funziona correttamente, la spia della stazione di ricarica deve emettere una luce verde fissa o lampeggiante. Se la luce della spia è diversa, attenersi alla seguente guida di ricerca dei guasti.

Ulteriori informazioni sono disponibili sul sito [www.husqvarna.com](http://www.husqvarna.com). Per ulteriore assistenza, contattare il rappresentante locale Husqvarna.

Luce	Causa	Azione
<i>Luce verde fissa</i>	Segnali buoni	Non è richiesto alcun intervento.
<i>Luce verde lampeggiante</i>	Segnale buoni e <i>modalità ECO</i> attivata.	Non è richiesto alcun intervento.
<i>Luce blu lampeggiante</i>	Il cavo perimetrale non è collegato alla stazione di ricarica.	Verificare che i connettori del cavo perimetrale siano collegati correttamente alla stazione di ricarica.
	Rottura del cavo perimetrale.	Individuare la rottura. Sostituire la sezione danneggiata del circuito con un nuovo tratto di cavo e collegare i capi dei cavi con un giunto originale.
<i>Luce rossa lampeggiante</i>	Interruzione nell'antenna della stazione di ricarica.	Contattare il rappresentante locale Husqvarna.
<i>Luce rossa fissa</i>	Guasto nella scheda elettronica o alimentazione di corrente errata nella stazione di ricarica. Il guasto deve essere riparato dal tecnico di un centro assistenza autorizzato.	Contattare il rappresentante locale Husqvarna.

## 40 Trasporto, stoccaggio e smaltimento

### 40.1 Trasporto

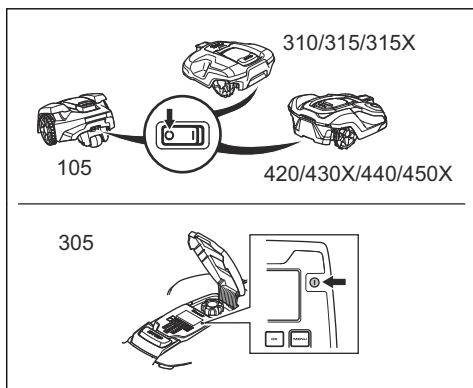
Le batterie agli ioni di litio in dotazione rispettano i requisiti di legge sulle merci pericolose.

- Rispettare tutte le norme nazionali vigenti.
- Rispettare i requisiti speciali riportati sulla confezione e sulle etichette per il trasporto commerciale, compreso quello effettuato da terzi e da corrieri.
- Per informazioni su come rimuovere la batteria, fare riferimento al manuale operatore completo su [www.husqvarna.com](http://www.husqvarna.com).

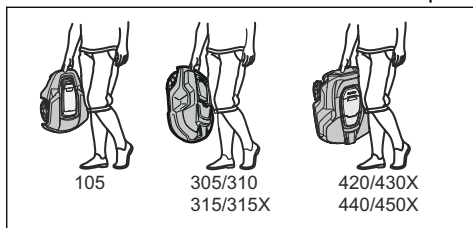
### 40.1.1 Come sollevare e spostare il prodotto

Per spostarlo in modo sicuro fuori o all'interno dell'area di lavoro, procedere come segue:

1. Premere il pulsante **STOP** per arrestare il prodotto. Se la protezione è impostata sul livello medio o alto, è necessario immettere il codice PIN. Il codice PIN è composto da quattro cifre e viene selezionato al primo avviamento del prodotto. Fare riferimento al manuale operatore completo.
2. Spegnerlo il prodotto con l'**interruttore principale** o il pulsante **ON/OFF**.



3. Trasportare il prodotto per l'impugnatura con il disco delle lame lontano dal corpo.



## 40.2 Rimessaggio invernale

### 40.2.1 Il robot rasaerba

Il prodotto deve essere pulito accuratamente prima del rimessaggio invernale. Fare riferimento a *Pulizia alla pagina 134*.



**ATTENZIONE:** La batteria deve essere caricata completamente prima del rimessaggio invernale. Se la batteria non viene caricata completamente, può danneggiarsi e in alcuni casi divenire inutilizzabile.

Collocare il prodotto nella stazione di ricarica con il portello aperto finché l'icona della batteria sul display non mostra che la batteria è completamente carica. Spegnerne il prodotto con l'**interruttore principale** o il pulsante **ON/OFF**.

Controllare le condizioni di usura di componenti quali lame e cuscinetti della ruota posteriore. Riparare o sostituire, se

necessario, per accertarsi che il prodotto sia in buone condizioni prima della stagione successiva.

Conservare il supporto del prodotto sulle quattro ruote in un ambiente asciutto e non soggetto a gelate, preferibilmente nell'imballaggio originale. È inoltre possibile appendere il prodotto a un supporto a muro originale Husqvarna. Contattare il rappresentante Husqvarna per ulteriori informazioni sulla disponibilità dei supporti a muro.

### 40.2.2 La stazione di ricarica

Riporre la stazione di ricarica e l'alimentatore al chiuso. Il cavo perimetrale e il cavo guida possono essere lasciati interrati.

1. Scollegare l'alimentatore della stazione di ricarica dalla presa di corrente.
2. Rilasciare il blocco del connettore ed estrarre il connettore.
3. Scollegare i contatti del cavo perimetrale e del cavo guida dalla stazione di ricarica.

Le estremità dei cavi devono essere protette dall'umidità, ad esempio immergendole in un contenitore pieno di grasso.

Se non è possibile conservare la stazione di ricarica al chiuso, dovrà essere collegata alla rete elettrica, al cavo perimetrale e ai cavi guida per tutto l'inverno.

## 40.3 Informazioni di carattere ambientale



Il simbolo sul prodotto Husqvarna o sul relativo imballaggio indica che il prodotto non può essere trattato come rifiuto domestico.

Deve invece essere consegnato a un apposito centro per il riciclaggio di componenti elettrici e batterie. Rimuovere la batteria dal prodotto prima di smaltirlo.

Per lo smontaggio della batteria vedere il Manuale operatore completo sul sito web Husqvarna.

Per informazioni più dettagliate sul riciclaggio di questo prodotto, contattare l'autorità

municipale, il servizio rifiuti domestici o il punto vendita in cui è stato acquistato.

## 41 Dati tecnici

### 41.1 Automower® 105/305

Dimensioni	Automower® 105	Automower® 305
Lunghezza, cm / "	55 / 21,7	57 / 22,4
Larghezza, cm / "	39 / 15,4	43 / 16,9
Altezza, cm / "	25 / 9,8	25 / 9,8
Peso, kg/lb	6,9 / 15	9,4 / 21

Impianto elettrico	Automower® 105	Automower® 305
Batteria agli ioni di litio, 18,5 V/2,1 Ah n. art.	586 57 62-02	584 85 28-01, 584 85 28-02
Batteria agli ioni di litio, 18 V/2,0 Ah n. art.	586 57 62-03	584 85 28-03
Batteria agli ioni di litio, 18,25 V/2,0 Ah n. art.	586 57 62-04	584 85 28-04
Alimentatore, V/28 V CC	100-240	100-240
Lunghezza del cavo a bassa tensione, m / ft	5 / 16,4	10 / 33
Consumo energetico medio al massimo utilizzo	5 kWh/mese per un'area di lavoro di 600 m <sup>2</sup> / 0,15 acro	5 kWh/mese per un'area di lavoro di 600 m <sup>2</sup> / 0,15 acro
Corrente di carica, A CC	1,3	1,3
Tipo di alimentatore	FW7312, ADP-40BR	ADP-40EW, ADP-40BR, FW7312
Tempo di falciatura medio, min	65	60
Tempo di ricarica medio, min	50	60

Antenna cavo perimetrale	Automower® 105	Automower® 305
Banda di frequenza operativa, Hz	300-80000	300-80000
Potenza a radiofrequenza massima, mW a 60 m <sup>76</sup>	<25	<25

<sup>76</sup> Massima potenza attiva per le antenne nella banda di frequenza in cui funziona l'apparecchiatura radio.

<b>Emissioni di rumore misurate nell'ambiente come potenza sonora<sup>77</sup></b>	<b>Automower® 105</b>	<b>Automower® 305</b>
Livello potenza acustica rilevato dB (A)	58	58
Livello potenza acustica garantito dB (A)	61	59
Livello di pressione acustica all'orecchio dell'operatore, dB (A) <sup>78</sup>	47	47

<b>Taglio</b>	<b>Automower® 105</b>	<b>Automower® 305</b>
Apparato di taglio	3 lame di taglio pivotanti	
Velocità motore lame, giri/min	2900	2200
Consumo di potenza durante il taglio, W +/- 20%	20	25
Altezza di taglio, cm / "	2-5 / 0,8-2,0	2-5 / 0,8-2,0
Larghezza di taglio, cm / "	17 / 6,7	22 / 8,7
Passaggio più stretto possibile, cm / "	60 / 24	60 / 24
Massimo angolo per area di lavoro, %	25	40
Massimo angolo per cavo perimetrale, %	15	15
Lunghezza massima cavo perimetrale, m / ft	400 / 1300	800 / 2600
Lunghezza massima del circuito guida, m / ft	200 / 650	400 / 1300
Capacità di lavoro, m <sup>2</sup> / acro, + / - 20%	600 / 0,15	600 / 0,15

<b>Classificazione IP</b>	<b>Automower® 105</b>	<b>Automower® 305</b>
Robot rasaerba	IPX4	IPX5
Stazione di ricarica	IPX1	IPX1
Alimentatore	IPX4	IPX4

<sup>77</sup> Emissione di rumore nell'ambiente misurate come potenza sonora ( $L_{wa}$ ) in conformità alla Direttiva Europea 2000/14/CE e alla norma del Nuovo Galles del Sud in materia di protezione dell'ambiente "Protection of the Environment Operations (Noise Control) Regulation 2017". Il livello acustico garantito comprende le variazioni nella produzione e le variazioni rispetto al codice di test con 1-3 dB(A). I dati sulle emissioni di rumore sono riportati sull'etichetta delle specifiche e nel capitolo Dati tecnici.

<sup>78</sup> Incertezze livello di pressione acustica  $K_{pA}$ , 2-4 dB(A)

## 41.2 Automower® 310/315/315X

Dimensioni	Automower® 310	Automower® 315	Automower® 315X
Lunghezza, cm / "	63 / 24,8	63 / 24,8	63 / 24,8
Larghezza, cm / "	51 / 20,1	51 / 20,1	51 / 20,1
Altezza, cm / "	25 / 9,8	25 / 9,8	25 / 9,8
Peso, kg/lb	9,2 / 20	9,2 / 20	10,1 / 22

Impianto elettrico	Automower® 310	Automower® 315	Automower® 315X
Batteria agli ioni di litio, 18,5 V/2,1 Ah n. art.	584 85 28-01, 584 85 28-02	584 85 28-01, 584 85 28-02	584 85 28-01, 584 85 28-02
Batteria agli ioni di litio, 18 V/2,0 Ah n. art.	584 85 28-03, 590 21 42-02, 593 11 40-01, 593 11 40-02	584 85 28-03, 590 21 42-02, 593 11 40-01, 593 11 40-02	584 85 28-03, 590 21 42-02, 593 11 40-01, 593 11 40-02
Batteria agli ioni di litio, 18,25 V/2,0 Ah n. art.	584 85 28-04, 590 21 42-03	584 85 28-04, 590 21 42-03	584 85 28-04, 590 21 42-03
Alimentatore, V/28 V CC	100-240	100-240	100-240
Lunghezza del cavo a bassa tensione, m / ft	10 / 33	10 / 33	10 / 33
Consumo energetico medio al massimo utilizzo	8 kWh/mese per un'area di lavoro di 1000 m <sup>2</sup> / 0,25 acro	10 kWh/ mese per un'area di lavoro di 1500 m <sup>2</sup> / 0,37 acro	10 kWh/ mese per un'area di lavoro di 1600 m <sup>2</sup> / 0,4 acro
Corrente di carica, A CC	1,3	1,3	1,3
Tipo di alimentatore	FW7312, ADP-40BR	FW7312, ADP-40BR	FW7312, ADP-40BR
Tempo di falciatura medio, min	70	70	70
Tempo di ricarica medio, min	60	60	60

<b>Antenna cavo perimetrale</b>	<b>Automo- wer® 310</b>	<b>Automo- wer® 315</b>	<b>Automower® 315X</b>
Banda di frequenza operativa, Hz	300-80000	300-80000	300-80000
Potenza a radiofrequenza massima, mW a 60 m <sup>79</sup>	<25	<25	<25

<b>Emissioni di rumore misurate nell'ambiente come potenza sonora<sup>80</sup></b>	<b>Automo- wer® 310</b>	<b>Automo- wer® 315</b>	<b>Automower® 315X</b>
Livello potenza acustica rilevato dB (A)	58	58	58
Livello potenza acustica garantito dB (A)	60	60	60
Livello di pressione acustica all'orecchio dell'operatore, dB (A) <sup>81</sup>	47	47	47

<b>Taglio</b>	<b>Automo- wer® 310</b>	<b>Automo- wer® 315</b>	<b>Automower® 315X</b>
Apparato di taglio	3 lame di taglio pivottanti		
Velocità motore lame, giri/min	2300	2300	2300
Consumo di potenza durante il taglio, W +/- 20%	25	25	25
Altezza di taglio, cm / "	2-6 / 0,8-2,4	2-6 / 0,8-2,4	2-6 / 0,8-2,4
Larghezza di taglio, cm / "	22 / 8,7	22 / 8,7	22 / 8,7
Passaggio più stretto possibile, cm / "	60 / 24	60 / 24	60 / 24
Massimo angolo per area di lavoro, %	40	40	40
Massimo angolo per cavo perimetrale, %	15	15	15
Lunghezza massima cavo perimetrale, m / ft	800 / 2600	800 / 2600	800 / 2600
Lunghezza massima del circuito guida, m / ft	400 / 1300	400 / 1300	400 / 1300
Capacità di lavoro, m <sup>2</sup> / acro, +/- 20%	1000 / 0,25	1500 / 0,37	1600 / 0,4

<sup>79</sup> Massima potenza attiva per le antenne nella banda di frequenza in cui funziona l'apparecchiatura radio.

<sup>80</sup> Emissione di rumore nell'ambiente misurate come potenza sonora ( $L_{wa}$ ) in conformità alla Direttiva Europea 2000/14/CE e alla norma del Nuovo Galles del Sud in materia di protezione dell'ambiente "Protection of the Environment Operations (Noise Control) Regulation 2017". Il livello acustico garantito comprende le variazioni nella produzione e le variazioni rispetto al codice di test con 1-3 dB(A). I dati sulle emissioni di rumore sono riportati sull'etichetta delle specifiche e nel capitolo Dati tecnici.

<sup>81</sup> Incertezze livello di pressione acustica  $K_{pA}$ , 2-4 dB(A)

Classificazione IP	Automower® 310	Automower® 315	Automower® 315X
Robot rasaerba	IPX4	IPX4	IPX4
Stazione di ricarica	IPX1	IPX1	IPX1
Alimentatore	IPX4	IPX4	IPX4

### 41.3 Automower® 420/430X/440/450X

Dimensioni	Automower® 420	Automower® 430X	Automower® 440	Automower® 450X
Lunghezza, cm / "	72 / 28,3	72 / 28,3	72 / 28,3	72 / 28,3
Larghezza, cm / "	56 / 22,0	56 / 22,0	56 / 22,0	56 / 22,0
Altezza, cm / "	31 / 12,2	31 / 12,2	31 / 12,2	31 / 12,2
Peso, kg/lb	11,5 / 25	13,2 / 29	12 / 27	13,9 / 31

<b>Impianto elettrico</b>	<b>Automower® 420</b>	<b>Automower® 430X</b>	<b>Automower® 440</b>	<b>Automower® 450X</b>
Batteria agli ioni di litio, 18,5 V/4,0 Ah n. art.	580 68 33-02			
Batteria agli ioni di litio, 18 V/4,0 Ah n. art.	580 68 33-03, 593 11 41-02, 593 11 42-01			
Batteria agli ioni di litio, 18,25 V/4,0 Ah n. art.	580 68 33-04, 593 11 41-03, 593 11 42-02			
Batteria agli ioni di litio, 18 V/5,2 Ah n. art.			588 14 64-01 (2 pz.) 5,2 Ah/ batteria	
Batteria agli ioni di litio, 18 V/5,0 Ah n. art.		593 11 84-01, 593 11 85-01	588 14 64-02, 593 11 84-01, 593 11 85-01 (2 pz.) 5,0 Ah/batteria	593 11 84-01, 593 11 85-01 (2 pz.) 5,0 Ah/batteria
Batteria agli ioni di litio, 18 V/4,9 Ah n. art.		593 11 84-02, 593 11 85-02	588 14 64-03, 593 11 84-02, 593 11 85-02 (2 pz.) 4,9 Ah/batteria	593 11 84-02, 593 11 85-02 (2 pz.) 4,9 Ah/batteria
Alimentatore, V/28 V CC	100-240	100-240	100-240	100-240
Lunghezza del cavo a bassa tensione, m / ft	10 / 33	10 / 33	10 / 33	10 / 33
Consumo energetico medio al massimo utilizzo	17 kWh/ mese per un'area di lavoro di 2200 m <sup>2</sup> / 0,55 acro	18 kWh/ mese per un'area di lavoro di 3200 m <sup>2</sup> / 0,8 acro	20 kWh/mese per un'area di lavoro di 4000 m <sup>2</sup> / 1 acro	23 kWh/ mese per un'area di lavoro di 5000 m <sup>2</sup> / 1,25 acri
Corrente di carica, A CC	2,2	4,2	7	7
Tipo di alimentatore	ADP-60JR, FW7438	FW7448, ADP-120DR	FW7458/28/D , ADP-200JR	FW7458/28/ D, ADP-200JR
Tempo di falciatura medio, min	75	145	290	270



<b>Impianto elettrico</b>	<b>Automower® 420</b>	<b>Automower® 430X</b>	<b>Automower® 440</b>	<b>Automower® 450X</b>
Tempo di ricarica medio, min	50	50	60	60

<b>Antenna cavo perimetrale</b>	<b>Automower® 420</b>	<b>Automower® 430X</b>	<b>Automower® 440</b>	<b>Automower® 450X</b>
Banda di frequenza operativa, Hz	300-80000	300-80000	300-80000	300-80000
Potenza a radiofrequenza massima, mW a 60 m <sup>82</sup>	<25	<25	<25	<25

<b>Emissioni di rumore misurate nell'ambiente come potenza sonora<sup>83</sup></b>	<b>Automower® 420</b>	<b>Automower® 430X</b>	<b>Automower® 440</b>	<b>Automower® 450X</b>
Livello potenza acustica rilevato dB (A)	57	57	56	58
Livello acustico garantito	58	58	56	59
Livello di pressione acustica all'orecchio dell'operatore, dB (A) <sup>84</sup>	46	46	45	47

<sup>82</sup> Massima potenza attiva per le antenne nella banda di frequenza in cui funziona l'apparecchiatura radio.

<sup>83</sup> Emissione di rumore nell'ambiente misurate come potenza sonora ( $L_{wa}$ ) in conformità alla Direttiva Europea 2000/14/CE e alla norma del Nuovo Galles del Sud in materia di protezione dell'ambiente "Protection of the Environment Operations (Noise Control) Regulation 2017". Il livello acustico garantito comprende le variazioni nella produzione e le variazioni rispetto al codice di test con 1-3 dB(A). I dati sulle emissioni di rumore sono riportati sull'etichetta delle specifiche e nel capitolo Dati tecnici.

<sup>84</sup> Incertezze livello di pressione acustica  $K_{pA}$ , 2-4 dB(A)

<b>Taglio</b>	<b>Automo- wer® 420</b>	<b>Automower® 430X</b>	<b>Automo- wer® 440</b>	<b>Automower® 450X</b>
Apparato di taglio	3 lame di taglio pivottanti			
Velocità motore lame, giri/min	2300	2300	2300	2300
Consumo di potenza durante il taglio, W +/- 20%	30	30	30	35
Altezza di taglio, cm / "	2-6 / 0,8-2,4	2-6 / 0,8-2,4	2-6 / 0,8-2,4	2-6 / 0,8-2,4
Larghezza di taglio, cm / "	24 / 9,4	24 / 9,4	24 / 9,4	24 / 9,4
Passaggio più stretto possibile, cm / "	60 / 24	60 / 24	60 / 24	60 / 24
Massimo angolo per area di lavoro, %	45	45	45	45
Massimo angolo per cavo perimetrale, %	15	15	15	15
Lunghezza massima cavo perimetrale, m / ft	800 / 2600	800 / 2600	800 / 2600	800 / 2600
Lunghezza massima del circuito guida, m / ft	400 / 1300	400 / 1300	400 / 1300	400 / 1300
Capacità di lavoro, m <sup>2</sup> / acri, +/- 20%	2200 / 0,55	3200 / 0,8	4000 / 1	5000 / 1,25

<b>Classificazione IP</b>	<b>Automo- wer® 420</b>	<b>Automower® 430X</b>	<b>Automo- wer® 440</b>	<b>Automower® 450X</b>
Robot rasaerba	IPX4	IPX4	IPX4	IPX4
Stazione di ricarica	IPX1	IPX1	IPX1	IPX1
Alimentatore	IPX4	IPX4	IPX4	IPX4

<b>Supporto banda di frequenza</b>	
Bluetooth® Gamma di frequenza	2400,0-2483,5 MHz
Automower® Connect 2G	GSM 850 MHz
	E-GSM 900 MHz
	DCS 1800 MHz
	PCS 1900 MHz
Automower® Connect 3G	Banda 19 (800 MHz)
	Banda 5 (850 MHz)
	Banda 8 (900 MHz)
	Banda 2 (1900 MHz)
	Banda 1 (2100 MHz)
Automower® Connect 4G	Banda 12 (700 MHz)
	Banda 17 (700 MHz)
	Banda 28 (700 MHz)
	Banda 13 (700 MHz)
	Banda 20 (800 MHz)
	Banda 26 (850 MHz)
	Banda 5 (850 MHz)
	Banda 19 (850 MHz)
	Banda 8 (900 MHz)
	Banda 4 (1700 MHz)
	Banda 3 (1800 MHz)
	Banda 2 (1900 MHz)
	Banda 25 (1900 MHz)
	Banda 1 (2100 MHz)
Banda 39 (1900 MHz)	

Classe di potenza		
Bluetooth® Potenza erogata	8 dBm	
Automower® Connect 2G	Classe di potenza 4 (per GSM/E-GSM)	33 dBm
	Classe di potenza 1 (per DCS/PCS)	30 dBm
	Classe di potenza E2 (per le bande GSM/E-GSM)	27 dBm
	Classe di potenza E2 (per le bande DCS/PCS)	26 dBm
Automower® Connect 3G	Classe di alimentazione 3	
Automower® Connect 4G	Classe di alimentazione 3	

Husqvarna AB non garantisce la completa compatibilità fra il prodotto e altri tipi di sistemi wireless, quali telecomandi, trasmettitori radio, apparecchi acustici, recinzioni elettriche interrattate per animali o simili.

I prodotti sono realizzati in Inghilterra o nella Repubblica Ceca. Consultare le informazioni sulla targhetta dati di funzionamento. Fare riferimento a *Introduzione alla pagina 114*

#### 41.4 Marchi registrati

Il marchio denominativo e i logo *Bluetooth®* sono marchi registrati di proprietà di *Bluetooth SIG, inc.* e qualsiasi utilizzo di tali marchi da parte di Husqvarna è soggetto a licenza.

## 42 Garanzia

### 42.1 Condizioni di garanzia

La garanzia Husqvarna copre il corretto funzionamento di questo prodotto per un periodo di due anni dalla data di acquisto. La garanzia copre guasti gravi legati a materiali o difetti di fabbricazione. Per tutta la durata della garanzia, l'azienda sostituirà il prodotto o lo riparerà gratuitamente in caso di rispetto dei seguenti termini.

- Il prodotto e la stazione di ricarica possono essere usati solo nel rispetto delle istruzioni contenute nel presente manuale dell'operatore. La garanzia del produttore non influisce sulla garanzia contro il concessionario/rivenditore.
- Gli utenti finali o terzi non autorizzati non devono tentare di riparare il prodotto.

Esempi di guasti non coperti da garanzia:

- Danni causati da infiltrazioni di acqua dovute all'utilizzo di un dispositivo di lavaggio ad alta pressione o dall'immersione in acqua, ad esempio quando si formano pozze d'acqua da una pioggia intensa.
- Danni causati da fulmini.
- Danni causati dall'errata conservazione o dall'uso improprio della batteria.
- Danni causati dall'utilizzo di batterie non originali Husqvarna.
- Danni causati dall'utilizzo di ricambi e accessori non originali Husqvarna quali lame e materiale di installazione.
- Danni al cavo perimetrale.
- Danni causati da modifiche non autorizzate o manomissione del prodotto o dell'alimentazione.

Le lame e le ruote sono da considerarsi materiale di consumo e non sono coperte da garanzia.

In caso di guasto al proprio prodotto Husqvarna, contattare l'assistenza clienti

Husqvarna per ulteriori istruzioni. Accertarsi di avere a portata di mano lo scontrino e il numero di serie del prodotto quando si contatta l'assistenza clienti Husqvarna.

---

## 43 Dichiarazione di conformità CE

---

### 43.1 Dichiarazione di conformità CE

**Husqvarna AB**, SE-561 82 Huskvarna, Svezia, tel.: +46-36-146500, dichiara con la presente che i robot rasaerba **Husqvarna Automower® 105**, **Husqvarna Automower® 305**, **Husqvarna Automower® 310**, **Husqvarna Automower® 315**, **Husqvarna Automower® 315X**, **Husqvarna Automower® 420**, **Husqvarna Automower® 430X**, **Husqvarna Automower® 440** e **Husqvarna Automower® 450X** con numeri di serie della 2019 settimana 40 e successive (l'anno e la settimana sono chiaramente indicati nella targhetta dati di funzionamento e seguiti dal numero di serie) sono conformi alle disposizioni della DIRETTIVA DEL CONSIGLIO:

- Direttiva macchine **2006/42/CE**.
  - Requisiti particolari per i robot rasaerba elettrici a batteria **EN 50636-2-107: 2015**.
  - Campi elettromagnetici **EN 62233: 2008**.
- Direttiva sulla "restrizione dell'uso di determinate sostanze pericolose" **2011/65/UE**.
  - Viene applicato il seguente standard: **EN 50581:2012**
- Direttiva "concernente l'emissione acustica ambientale delle macchine ed attrezzature destinate a funzionare all'aperto" **2000/14/CE**. Vedere anche *Dati tecnici alla pagina 139* per informazioni relative alle emissioni acustiche e alla larghezza di taglio.

Per **Husqvarna Automower® 105** (certificato 01/901/176), **Husqvarna Automower® 305** (certificato 01/901/322), **Husqvarna Automower® 310/315**

(certificato 01/901/225), **Husqvarna Automower® 315X** (certificato 01/901/286) e **Husqvarna Automower® 420/430X/440/450X** (certificato 01/901/201): L'ente notificato RISE SMP Svensk Maskinprovning AB, Box 7035, SE-750 07 Uppsala, Sweden ha pubblicato un rapporto relativo all'attestazione della conformità in base all'allegato VI della Direttiva del Consiglio dell'8 maggio 2000 concernente "l'emissione acustica ambientale" 2000/14/CE.

- Direttiva "concernente le apparecchiature radio" **2014/53/UE**. Il certificato di omologazione è pubblicato per l'esame della Direttiva 2014/53/UE. Il numero del certificato di omologazione per **Husqvarna Automower® 105** è SC1110-17. Sono state applicate le seguenti norme:

- **ETSI EN 303 447 V1.1.1**

Compatibilità elettromagnetica:

- **ETSI EN 301 489-1 V2.2.0**
- **EN 61000-6-1:2007**
- **EN 61000-6-3:2007/A1:2011**

Per i modelli **Husqvarna Automower® 315X**, **Husqvarna Automower® 430X** e **Husqvarna Automower® 450X** provvisti di modulo **Automower® Connect** anche:

- **ETSI EN 301 489-19 V2.1.0**
- **ETSI EN 301 489-52 V1.1.1**
- **ETSI EN 301 511 V12.5.1**
- **ETSI EN 301 908-2 V11.1.1**

Per i modelli Husqvarna Automower® 305, Husqvarna Automower® 310, Husqvarna Automower® 315, Husqvarna Automower® 315X, Husqvarna Automower® 420, Husqvarna Automower® 430X, Husqvarna Automower® 440 e Husqvarna Automower® 450X provvisti di Bluetooth® anche:

- ETSI EN 300 328 V2.1.1
- ETSI EN 301 489-17 V3.1.1



Husqvarna 2019-12-12

Lars Roos

Global R&D Director, Electric category

(Rappresentante autorizzato per Husqvarna AB e responsabile della documentazione tecnica).





**Husqvarna**<sup>®</sup>

AUTOMOWER<sup>®</sup> is a trademark owned by Husqvarna AB.

Copyright<sup>®</sup> 2019 HUSQVARNA. All rights reserved.

[www.husqvarna.com](http://www.husqvarna.com)

---

Original instructions  
Originalanweisungen  
Instructions d'origine  
Istruzioni originali  
1142177-39



2019-12-12